

Z.F.
Gearbox

EURO GEARBOX 95

CATALOGUE
Z.F.

FILE

95CBM062.pdf

SIZE

2,67MB

No. PAGES

27

RELEASE

04/2007

MODELS

ECOSPLIT III 1316

16S221 R.13,74-0,84

16S221 R.13,80-0,84

16S221 R.13,85-0,84

16S221 R.13,86-0,84

16S221 R.16,41-1,00

16S221 R.16,47-1,00

Updated
2007

GROUP
Gearbox

Options

ONLY FOR CD-ROM CATALOGUES



Home



Group



Back

%

Zoom
Select



Print



Page
Search



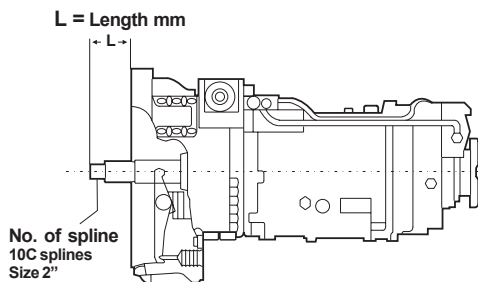
Catalogue
Search



Exit



Input Shaft Technical Specification

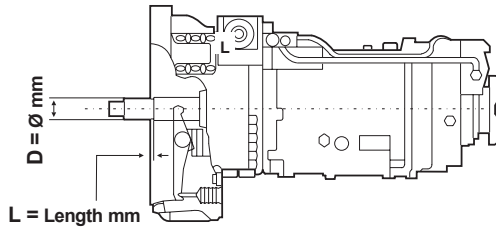


Tab 1 - Input Shaft Table

Our No.	TP	Input Shaft No.	Ratio	Teeth	Sizes	Cover No.	Clutch Type
95531207		1316 202 025	All	--	L=109 SAE 10C 2"	1315 302 045	F&S MFZ430
						1315 302 047	
						1315 302 075	
						1315 302 106	VALEO 430DTE
						1315 302 113	
						1315 302 134	
95531494		1316 202 026	All	--	L=117 SAE 10C 2"	1315 302 057	
						1315 302 072	
		1316 202 027	All	--	L=123 SAE 10C 2"	1315 302 124	F&S GMFZ2/380
		1316 202 029	All	--	L=144 SAE 10C 2"	1315 202 065	EXEDY 2/400
		1316 202 030	All	--	L=165 SAE 10C 2"	1315 302 181	DAIKIN 15" 2 DISK
		1316 202 031	All	--	L=109 SAE 10C 2"	1315 302 141	DANA SP. 1552SA
		1316 202 032	All	--	L=117 SAE 10C 2"	1315 302 084	DANA SP. 1552SA
		1316 202 033	All	--	L=238,2	4130 306 306	
		1316 202 036	All	--	L=117 SAE 10C 2"	1315 302 136	VALEO 430DTE
						1315 302 193	VALEO 430DTE
		1316 202 037	All	--	L=167,5 SAE 10C 2"	1315 302 184	
		1316 202 038	All	--	L=109 SAE 10C 2"	1315 302 106	VALEO 430DTE
						1315 302 136	VALEO 430DTE
		1316 202 039	All	--	L=98,5 SAE 10C 2"	1315 302 141	DANA SP. 1552SA
		1316 221 017	All	--	L=109 SAE 10C 2"		F&S MFZ430
		1316 221 018	All	--	L=109 SAE 10C 2"		VALEO 430DTE



Front Cover Technical Specification

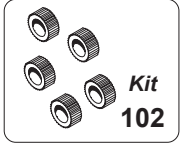
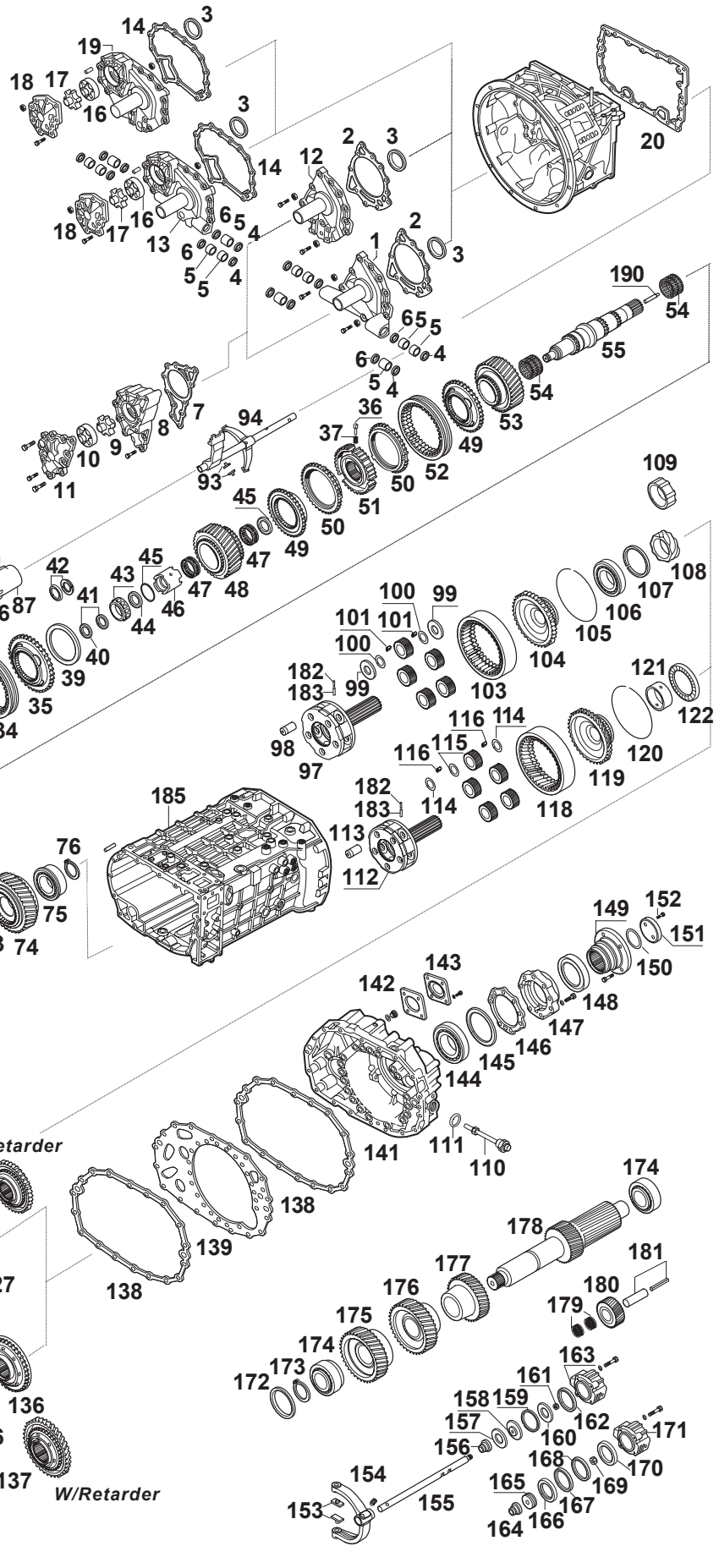


Tab 2 - Front Cover Table

Fig.	Our No. TP	Cover No.	Input Shaft No.	Ratio	Sizes	Clutch Type
1		1315 302 072	1316 202 026	All	L=3 D=62,61	
1		1315 302 084	1316 202 032	without tube	L=131	DANA SP. 1552SA
1		1315 302 106	1316 202 025	All	L=7 D=66	VALEO 430DTE
			1316 202 038	All	L=7 D=66	VALEO 430DTE
1		1315 302 124	1316 202 027	All	L=7 D=66	F&S GMFZ2/380
1		1315 302 134	1316 202 025	All	L=7 D=60	
1		1315 302 141	1316 202 031	without tube	L=134	DANA SP. 1552SA
			1316 202 039	without tube	L=134	DANA SP. 1552SA
1		1315 202 065	1316 202 029	All	L=24 D=60	EXEDY 2/400
1		1315 302 184	1316 202 037	All	L=7 D=61	
1		1315 302 193	1316 202 036	All	L=7 D=60	VALEO 430DTE
1		4130 306 306	1316 202 033	All		
12		1315 302 075	1316 202 025	All	L=7 D=60	
12		1315 302 136	1316 202 025	All	L=7 D=60	F&S MFZ430
			1316 202 036	All	L=7 D=60	VALEO 430DTE
			1316 202 038	All	L=7 D=60	VALEO 430DTE
12		1315 302 181	1316 202 030	All	L=16 D=61	DAIKIN 15" 2 DISK
13		1315 302 057	1316 202 026	All	L=3 D=62,61	
19		1315 302 045	1316 202 025	All	L=7 D=60	
19		1315 302 047	1316 202 025	All	L=7 D=60	
19		1315 302 113	1316 202 025	All	L=7 D=60	



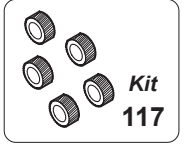
OPTIONS



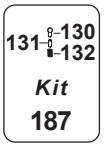
Kit 102



Kit 186



Kit 117



Kit 187

W/Retarder

W/Retarder

188 189

22 24 25 26 27 28 21 21

56 57 58 59 60 61 62 63 64 65 66 67

123 124 125 126 127 128 129 130 131 132

133 134 135 136 137 138 139



Fig.	Our No.	Part No.	Description	Note	TP	A-R.13,74-0,84	BCDE-R.13,80-0,84	F-R.13,85-0,84	GH-R.13,86-0,84	MN-R.16,41-1,00	PQ-R.16,47-1,00									
1		SEE TAB 2	FRONT COVER																	
2	95531556	0501 314 587	GASKET		●															
3	95531973	0734 310 387	OIL SEAL 55X75X8		●															
3	95531557	0734 310 104	OIL SEAL 52X68X8	(1)	●															
3		0734 319 514	OIL SEAL 52X72X8	(5)	●															
4	95531678	0501 312 738	OIL SEAL 30X37X4		●															
5	95532298	0730 260 398	BUSH		■															
6	95531678	0501 312 738	OIL SEAL 30X37X4		●															
7	95531687	0501 314 747	PAPER GASKET		■															
8	95531625	1315 302 121	BODY PUMP OIL		■															
9	95531143	1314 202 039	PUMP SHAFT		■															
10	95530070	1315 303 027	ROTOR		■															
11	95531624	1315 302 120	PUMP COVER		■															
12		SEE TAB 2	FRONT COVER																	
13		SEE TAB 2	FRONT COVER																	
14	95531685	0501 314 246	GASKET		NSS															
16	95530070	1315 303 027	ROTOR		■															
17	95530213	1315 202 014	GEAR OIL PUMP		■															
18		1315 302 013	PUMP COVER		■															
19		SEE TAB 2	FRONT COVER																	
20	95534149	1315 301 233	GASKET		NSS															
21		0730 150 766	WASHER S.3,30 MM																	
22		1315 302 040	SHIM																	
24		0730 501 598	SEEGER RING																	
25		2050 309 065	SPACER T.1,00 MM																	
25		0730 007 134	SPACER T.1,50 MM																	
25		0730 007 486	SPACER T.2,00 MM																	
26	98530232	0750 117 732	BEARING 85X150X30,5		●															
27	95531200	1316 302 065	CONSTANT GEAR 34 T	ABCF																
27	95531513	1316 302 067	CONSTANT GEAR 35 T.	DEGH																
27	95531492	1316 302 066	CONSTANT GEAR 30 T.	MNPQ																
28	95570220	1312 304 027	SYNCHRONIZER CONE																	
29	95570202	1297 304 402	SYNCHRONIZER RING	OLD TYPE																
29	95531072	1297 304 484	SYNCHRONIZER RING	NEW TYPE																
30	95531207	1316 202 025	INPUT SHAFT 57 T.																	

Notes / Note :

- (1) ONLY FOR INPUT SHAFT 1316 202 033
- (2) SPECIAL VERSION. THE CONTROL ROD 1315 312 008 (COMPL. 1316 212 005) USES ITEMS FIG.90-91-92
- (3) SPECIAL VERSION. TO BE COUPLED TOGETHER
- (4) OLD IVECO VERSION. TO BE COUPLED TOGETHER: NOTE C WITH NOTE C - NOTE Q WITH NOTE Q
- (5) ONLY FOR INPUT SHAFT 1316 221 017 - 1316 221 018
- (7) COMPOSE BY 1 PC SYNCHRONIZER CONE + 1 PC FLANGE
- (8) REPLACED BY 1 PC 1315 301 223 + 1 PC 1315 334 056 + 1 PC 0750 112 131 + 1 PC 0634 314 020
- (9) REPLACED BY 1 PC 1296 301 140 + 1 PC 0750 111 341
- (10) REPLACED BY 1 PC 1315 305 009 + 1 PC 0631 329 295
- (11) REPLACED BY 1 PC 1315 305 009 + 1 PC 0631 329 296

- (*)-(@)-(\$)-(&) TO BE COUPLED TOGETHER
- (From A to Q) TO BE COUPLED TOGETHER
- (A) DOUBLE CONE SYNCHRO - RATIO 13,74-0,84
- (B) SHORT TRAVEL SYNCHRO - RATIO 13,80-0,84
- (C) DOUBLE CONE SYNCHRO - RATIO 13,80-0,84
- (D) SHORT TRAVEL SYNCHRO - RATIO 13,80-0,84
- (E) DOUBLE CONE SYNCHRO - RATIO 13,80-0,84
- (F) DOUBLE CONE SYNCHRO - RATIO 13,85-0,84
- (G) SHORT TRAVEL SYNCHRO - RATIO 13,86-0,84
- (H) DOUBLE CONE SYNCHRO - RATIO 13,86-0,84
- (M) SHORT TRAVEL SYNCHRO - RATIO 16,41-1,00
- (N) DOUBLE CONE SYNCHRO - RATIO 16,41-1,00

- (P) SHORT TRAVEL SYNCHRO - RATIO 16,47-1,00
- (Q) DOUBLE CONE SYNCHRO - RATIO 16,47-1,00

Continued

Our Parts are not original but perfectly interchangeable with the O.E.M ones. All original equipment manufacturers' names, numbers, symbols and descriptions used in this catalogue are for reference purposes only.
Tutti i nostri particolari non sono originali ma con essi intercambiabili. Tutti i riferimenti dei costruttori originali sono usati a semplice titolo indicativo.

Fig.	Our No.	Part No.	Description	Note	TP	A-R.13,74-0,84	BCDE-R.13,80-0,84	F-R.13,85-0,84	GH-R.13,86-0,84	MN-R.16,41-1,00	PQ-R.16,47-1,00								
30	95531494	1316 202 026	INPUT SHAFT 57 T.																
30		1316 202 027	INPUT SHAFT																
30		1316 202 029	INPUT SHAFT																
30		1316 202 030	INPUT SHAFT																
30		1316 202 031	INPUT SHAFT																
30		1316 202 032	INPUT SHAFT																
30	95531517	1316 202 033	INPUT SHAFT		■														
30		1316 202 036	INPUT SHAFT																
30		1316 202 037	INPUT SHAFT																
30	95531497	1316 202 038	INPUT SHAFT		■														
30		1316 202 039	INPUT SHAFT																
30		1316 221 017	INPUT SHAFT																
30		1316 221 018	INPUT SHAFT																
31	95570681	1315 302 196	TUBE		NSS														
32	95570682	0630 502 027	SEEGER RING DIN472 50X2		NSS														
33	95570683	0501 314 060	DIAPHRAGM		●														
34	95570219	1310 304 202	SLIDING SLEEVE 3RD/4TH SP																
35	95570241	1312 304 056	SYNCHRONIZER CONE																
36	95570574	1297 304 436	SLIDE	3 pcs.															
37	95570470	0732 040 409	PRESSURE SPRING	3 pcs.															
38		4130 309 063	PULSE DISK	(1)															
39		0730 007 747	LOCK RING T.3,00 MM																
39		0730 006 171	LOCK RING T.3,50 MM																
40	95531369	0730 062 781	LOCK RING		■														
41		1312 204 040	RING																
42		0730 107 019	SPLIT RING T.4,60 MM	OLD															
42		1499 298 023	SPLIT RING T.4,60 MM	NEW															
42	95531559	0730 107 023	SPLIT RING T.5,00 MM	OLD	■														
42		1499 298 027	SPLIT RING T.5,00 MM	NEW															
43	98530174	0750 117 232	NEEDLE BEARING 42X40,3		●														
44		1315 304 043	WASHER S.7,50 MM																
44		1315 304 048	WASHER S.8,00 MM																
45		0750 101 158	WASHER	Excl.F															
46		0750 119 124	RING 67X77X66,1	Excl.F															
47	98530350	0750 115 531	NEEDLE BEARING 77X101X29	Excl.F	■														

Notes / Note :

- | | | |
|---|---|--|
| <p>(1) ONLY FOR INPUT SHAFT 1316 202 033</p> <p>(2) SPECIAL VERSION. THE CONTROL ROD 1315 312 008 (COMPL. 1316 212 005) USES ITEMS FIG.90-91-92</p> <p>(3) SPECIAL VERSION. TO BE COUPLED TOGETHER</p> <p>(4) OLD IVECO VERSION. TO BE COUPLED TOGETHER: NOTE C WITH NOTE C - NOTE Q WITH NOTE Q</p> <p>(5) ONLY FOR INPUT SHAFT 1316 221 017 - 1316 221 018</p> <p>(7) COMPOSE BY 1 PC SYNCHRONIZER CONE + 1 PC FLANGE</p> <p>(8) REPLACED BY 1 PC 1315 301 223 + 1 PC 1315 334 056 + 1 PC 0750 112 131 + 1 PC 0634 314 020</p> <p>(9) REPLACED BY 1 PC 1296 301 140 + 1 PC 0750 111 341</p> <p>(10) REPLACED BY 1 PC 1315 305 009 + 1 PC 0631 329 295</p> <p>(11) REPLACED BY 1 PC 1315 305 009 + 1 PC 0631 329 296</p> | <p>(*)-(@)-(\$)-(&) TO BE COUPLED TOGETHER (From A to Q) TO BE COUPLED TOGETHER</p> <p>(A) DOUBLE CONE SYNCHRO - RATIO 13,74-0,84</p> <p>(B) SHORT TRAVEL SYNCHRO - RATIO 13,80-0,84</p> <p>(C) DOUBLE CONE SYNCHRO - RATIO 13,80-0,84</p> <p>(D) SHORT TRAVEL SYNCHRO - RATIO 13,80-0,84</p> <p>(E) DOUBLE CONE SYNCHRO - RATIO 13,80-0,84</p> <p>(F) DOUBLE CONE SYNCHRO - RATIO 13,85-0,84</p> <p>(G) SHORT TRAVEL SYNCHRO - RATIO 13,86-0,84</p> <p>(H) DOUBLE CONE SYNCHRO - RATIO 13,86-0,84</p> <p>(M) SHORT TRAVEL SYNCHRO - RATIO 16,41-1,00</p> <p>(N) DOUBLE CONE SYNCHRO - RATIO 16,41-1,00</p> | <p>(P) SHORT TRAVEL SYNCHRO - RATIO 16,47-1,00</p> <p>(Q) DOUBLE CONE SYNCHRO - RATIO 16,47-1,00</p> |
|---|---|--|

Continued

Our Parts are not original but perfectly interchangeable with the O.E.M ones. All original equipment manufacturers' names, numbers, symbols and descriptions used in this catalogue are for reference purposes only.

Tutti i nostri particolari non sono originali ma con essi intercambiabili. Tutti i riferimenti dei costruttori originali sono usati a semplice titolo indicativo.

Fig.	Our No.	Part No.	Description	Note	TP	A-R.13,74-0,84	BCDE-R.13,80-0,84	F-R.13,85-0,84	GH-R.13,86-0,84	MN-R.16,41-1,00	PQ-R.16,47-1,00								
47	98530355	0750 118 258	BEARING 67X101X38	F	■														
48	95531204	1316 304 007	GEAR 4TH 30 T	ABCF		■	■	■											
48	95531499	1316 304 103	GEAR 4TH L/S 32 T	DEGHMNPQ			■		■	■	■								
49	95570220	1312 304 027	SYNCHRONIZER CONE			■	■	■	■	■	■								
49	95531631	1316 304 145	SYNCHRONIZER CONE 3RD/4TH (*)			■	■	■	■	■	■								
49	95534409	1316 304 159	SYNCHRONIZER CONE 3RD/4TH (@)			■	■	■	■	■	■								
50	95570202	1297 304 402	SYNCHRONIZER RING	OLD TYPE		■	■	■	■	■	■								
50	95531072	1297 304 484	SYNCHRONIZER RING	NEW TYPE		■	■	■	■	■	■								
50	95531628	1316 304 149	SYNCHRONIZER RING	(*)	●	■	■	■	■	■	■								
50	95534389	1316 304 168	SYNCHRONIZER RING	(@)	●	■	■	■	■	■	■								
51	95570839	1312 304 052	SYNCHRONIZER HUB 3RD/4TH			■	■	■	■	■	■								
51	95531633	1316 304 147	SYNCHRONIZER HUB 3RD/4TH (*)			■	■	■	■	■	■								
51	95534410	1316 304 162	SYNCHRONIZER HUB 3RD/4TH (@)			■	■	■	■	■	■								
52	95570219	1310 304 202	SLIDING SLEEVE 3RD/4TH SP			■	■	■	■	■	■								
52	95531632	1315 304 135	SLIDING SLEEVE	(*)		■	■	■	■	■	■								
52	95532442	1316 304 167	SLIDING SLEEVE	(@)	●	■	■	■	■	■	■								
53	95531203	1316 304 009	GEAR 3RD 32 T	ABCF		■	■	■											
53	95531521	1316 304 008	GEAR 3RD 34 T.	DEGHMNPQ			■		■	■	■								
54	98530345	0750 115 303	NEEDLE BEARING 92X100X63		■	■	■	■	■	■	■								
55	95531501	1316 304 132	MAIN SHAFT	ADEMN		■	■			■									
55	95531522	1316 304 130	MAIN SHAFT 24 T.	BCGHPQ			■		■		■								
55		1316 304 001	MAIN SHAFT	F				■											
56	95531524	1316 304 003	M/S GEAR 2ND 37 T	ABCF		■	■	■											
56	95531502	1316 304 002	M/S GEAR 2ND SPEED 38 T	DEGHMNPQ			■		■	■	■								
57	95570224	1313 304 009	SYNCHRONIZER CONE	BDGMP			■		■	■	■								
57	95531630	1316 304 146	SYNCHRONIZER CONE 1ST/2ND (§)				■		■	■	■								
57	95534407	1316 304 156	SYNCHRONIZER CONE 1ST/2ND (&)				■		■	■	■								
58	95570217	1297 304 401	SYNCHRONIZER RING	BDGMP-Old			■		■	■	■								
58	95531085	1297 304 485	SYNCHRONIZER RING	BDGMP-NEW			■		■	■	■								
58	95531629	1316 304 150	SYNCHRONIZER RING RH	(§)			■		■	■	■								
58	95534388	1316 304 170	SYNCHRONIZER RING LH	(&)	●		■		■	■	■								
59	95570896	1313 304 008	SYNCHRONIZER HUB	BDGMP			■		■	■	■								
59	95531634	1316 304 148	SYNCHRONIZER HUB 1ST/2ND (§)				■		■	■	■								
59	95534408	1316 304 163	SYNCHRONIZER HUB 1ST/2ND (&)				■		■	■	■								
60	95570218	1316 304 078	SLIDING SLEEVE 1ST/2ND	BDGMP			■		■	■	■								

Notes / Note :

- | | | |
|---|--|--|
| <p>(1) ONLY FOR INPUT SHAFT 1316 202 033
 (2) SPECIAL VERSION. THE CONTROL ROD 1315 312 008 (COMPL. 1316 212 005) USES ITEMS FIG.90-91-92
 (3) SPECIAL VERSION. TO BE COUPLED TOGETHER
 (4) OLD IVECO VERSION. TO BE COUPLED TOGETHER: NOTE C WITH NOTE C - NOTE Q WITH NOTE Q
 (5) ONLY FOR INPUT SHAFT 1316 221 017 - 1316 221 018
 (7) COMPOSE BY 1 PC SYNCHRONIZER CONE + 1 PC FLANGE
 (8) REPLACED BY 1 PC 1315 301 223 + 1 PC 1315 334 056 + 1 PC 0750 112 131 + 1 PC 0634 314 020
 (9) REPLACED BY 1 PC 1296 301 140 + 1 PC 0750 111 341
 (10) REPLACED BY 1 PC 1315 305 009 + 1 PC 0631 329 295
 (11) REPLACED BY 1 PC 1315 305 009 + 1 PC 0631 329 296</p> | <p>(*)-(@)- (§)-(&) TO BE COUPLED TOGETHER
 (From A to Q) TO BE COUPLED TOGETHER
 (A) DOUBLE CONE SYNCHRO - RATIO 13,74-0,84
 (B) SHORT TRAVEL SYNCHRO - RATIO 13,80-0,84
 (C) DOUBLE CONE SYNCHRO - RATIO 13,80-0,84
 (D) SHORT TRAVEL SYNCHRO - RATIO 13,80-0,84
 (E) DOUBLE CONE SYNCHRO - RATIO 13,80-0,84
 (F) DOUBLE CONE SYNCHRO - RATIO 13,85-0,84
 (G) SHORT TRAVEL SYNCHRO - RATIO 13,86-0,84
 (H) DOUBLE CONE SYNCHRO - RATIO 13,86-0,84
 (M) SHORT TRAVEL SYNCHRO - RATIO 16,41-1,00
 (N) DOUBLE CONE SYNCHRO - RATIO 16,41-1,00</p> | <p>(P) SHORT TRAVEL SYNCHRO - RATIO 16,47-1,00
 (Q) DOUBLE CONE SYNCHRO - RATIO 16,47-1,00</p> |
|---|--|--|

Continued

Our Parts are not original but perfectly interchangeable with the O.E.M ones. All original equipment manufacturers' names, numbers, symbols and descriptions used in this catalogue are for reference purposes only.
 Tutti i nostri particolari non sono originali ma con essi intercambiabili. Tutti i riferimenti dei costruttori originali sono usati a semplice titolo indicativo.

Fig.	Our No.	Part No.	Description	Note	TP	A-R.13,74-0,84	BCDE-R.13,80-0,84	F-R.13,85-0,84	GH-R.13,86-0,84	MN-R.16,41-1,00	PQ-R.16,47-1,00									
60	95531627	1315 304 136	SLIDING SLEEVE	(S)																
60	95534379	1316 304 169	SLIDING SLEEVE	(&)	●															
61	95570642	1312 304 106	SYNCHRONIZER CONE	ACEFHNQ																
62	95570599	1268 304 424	SYNCHRONIZER CONE	ACEFHNQ																
63	95570600	1268 304 494	SYNCHRONIZER RING	ACEFHNQ	●															
64	95570601	1268 304 525	SYNCHRONIZER RING	ACEFHNQ																
65	95570551	1312 304 158	SYNCHRONIZER HUB	ACEFHNQ																
66	95570555	1310 304 175	SLIDING SLEEVE	ACEFHNQ																
67	95570643	1312 304 159	SLIDING BLOCK	ACEFHNQ																
68	95530417	1312 304 084	BUSH		■															
69	98530348	0750 115 327	NEEDLE BEARING 96X104X72		■															
70	95531525	1316 304 013	GEAR 1ST 44 T.	ABCF																
70	95531503	1316 304 010	GEAR 1ST 47 T.	DEGHMNPQ																
71	95534081	1312 304 124	FOLLOWER RING		■															
72	95530433	1316 304 133	BUSH		■															
73	98530347	0750 115 326	NEEDLE BEARING 90X98X50		■															
74	95531526	1316 304 015	REVERSE GEAR 42 T.	ABCF																
74	95531504	1316 304 012	REVERSE GEAR 44 T.	DEGHMNPQ																
75	98530352	0750 117 678	BEARING 80X140X36,5		■															
76		0630 501 312	SEEGER RING T.3,10 MM																	
76		0630 501 316	SEEGER RING T.3,50 MM																	
77	95570365	1297 306 120	SLIDE																	
78		1315 312 017	FORK																	
79		1316 312 016	TIE ROD																	
79		1316 312 008	TIE ROD	(2)																
80	95532553	0750 112 131	OIL SEAL 25X40X15		●															
81		1315 312 020	PISTON																	
82	95532555	0750 112 177	RING 55X63X9,4		■															
83		0737 006 095	NUT M16X1,5																	
84	95531931	0634 313 320	O-RING 67X3		■															
85	95534205	1315 312 034	SPRING		■															
86	95531923	0634 313 018	O-RING 82X3		■															
87		1316 312 015	CYLINDER																	
88		1316 212 007	CYLINDER ASSY																	
89		1316 212 004	FORK ASSY																	

Notes / Note :

- | | | |
|---|---|---|
| (1) ONLY FOR INPUT SHAFT 1316 202 033 | (*)-(@)-(\$)-(&) TO BE COUPLED TOGETHER | (P) SHORT TRAVEL SYNCHRO - RATIO 16,47-1,00 |
| (2) SPECIAL VERSION. THE CONTROL ROD 1315 312 008 (COMPL. 1316 212 005) USES ITEMS FIG.90-91-92 | (From A to Q) TO BE COUPLED TOGETHER | (Q) DOUBLE CONE SYNCHRO - RATIO 16,47-1,00 |
| (3) SPECIAL VERSION. TO BE COUPLED TOGETHER | (A) DOUBLE CONE SYNCHRO - RATIO 13,74-0,84 | |
| (4) OLD IVECO VERSION. TO BE COUPLED TOGETHER: NOTE C WITH NOTE C - NOTE Q WITH NOTE Q | (B) SHORT TRAVEL SYNCHRO - RATIO 13,80-0,84 | |
| (5) ONLY FOR INPUT SHAFT 1316 221 017 - 1316 221 018 | (C) DOUBLE CONE SYNCHRO - RATIO 13,80-0,84 | |
| (6) COMPOSE BY 1 PC SYNCHRONIZER CONE + 1 PC FLANGE | (D) SHORT TRAVEL SYNCHRO - RATIO 13,80-0,84 | |
| (7) REPLACED BY 1 PC 1315 301 223 + 1 PC 1315 334 056 + 1 PC 0750 112 131 + 1 PC 0634 314 020 | (E) DOUBLE CONE SYNCHRO - RATIO 13,80-0,84 | |
| (8) REPLACED BY 1 PC 1296 301 140 + 1 PC 0750 111 341 | (F) DOUBLE CONE SYNCHRO - RATIO 13,85-0,84 | |
| (9) REPLACED BY 1 PC 1315 305 009 + 1 PC 0631 329 295 | (G) SHORT TRAVEL SYNCHRO - RATIO 13,86-0,84 | |
| (10) REPLACED BY 1 PC 1315 305 009 + 1 PC 0631 329 296 | (H) DOUBLE CONE SYNCHRO - RATIO 13,86-0,84 | |
| (11) REPLACED BY 1 PC 1315 305 009 + 1 PC 0631 329 296 | (M) SHORT TRAVEL SYNCHRO - RATIO 16,41-1,00 | |
| | (N) DOUBLE CONE SYNCHRO - RATIO 16,41-1,00 | |

Continued

Our Parts are not original but perfectly interchangeable with the O.E.M ones. All original equipment manufacturers' names, numbers, symbols and descriptions used in this catalogue are for reference purposes only.
 Tutti i nostri particolari non sono originali ma con essi intercambiabili. Tutti i riferimenti dei costruttori originali sono usati a semplice titolo indicativo.

Fig.	Our No.	Part No.	Description	Note	TP	A-R.13,74-0,84	BCDE-R.13,80-0,84	F-R.13,85-0,84	GH-R.13,86-0,84	MN-R.16,41-1,00	PQ-R.16,47-1,00									
89		1316 212 005	FORK ASSY	(2)		■	■	■	■	■	■									
90		0730 260 396	BUSH	(2)		■	■	■	■	■	■									
91		0630 502 021	RING	(2)		■	■	■	■	■	■									
92	95532553	0750 112 131	OIL SEAL 25X40X15	(2)	●	■	■	■	■	■	■									
93	95570365	1297 306 120	SLIDE			■	■	■	■	■	■									
94		1316 206 018	FORK			■	■	■	■	■	■									
94		1316 206 017	FORK			■	■	■	■	■	■									
95		1316 206 025	FORK	OLD		■	■	■	■	■	■									
95		1316 206 033	FORK	NEW		■	■	■	■	■	■									
95		1316 206 026	FORK			■	■	■	■	■	■									
95		1316 206 034	FORK	NEW		■	■	■	■	■	■									
95		1316 206 027	FORK			■	■	■	■	■	■									
96	95534232	1316 206 013	FORK		◆	■	■	■	■	■	■									
96		1316 206 014	FORK			■	■	■	■	■	■									
97	95570442	1316 232 006	PLANET CARRIER	BCFGHPQ	■	■	■	■	■	■	■									
98	95570721	1312 332 026	PIN	BCFGHPQ		■	■	■	■	■	■									
99	95570207	0501 308 981	THRUST WASHER	BCFGHPQ	■	■	■	■	■	■	■									
100	95570210	0730 107 168	SHIM 1,00 MM	BCFGHPQ	■	■	■	■	■	■	■									
101	95570722	0750 119 116	NEEDLE D.10X16,8	BCFGHPQ	●	■	■	■	■	■	■									
102	95570720	1312 232 014	GEAR SET (5 PCS)	BCGHPQ		■	■	■	■	■	■									
102		1316 232 001	GEAR SET (5 PCS)	F		■	■	■	■	■	■									
103	95570991	1295 332 086	CROWN 86 T.	BCGHPQ		■	■	■	■	■	■									
103		1316 332 004	CROWN 90 T.	F		■	■	■	■	■	■									
104	95570724	1297 332 120	CARRIER HUB 86 T.	BCGHPQ		■	■	■	■	■	■									
104		1316 332 006	CARRIER HUB 90 T.	F		■	■	■	■	■	■									
105	95570727	0730 505 056	RETAINER RING	BCFGHPQ	●	■	■	■	■	■	■									
106		0635 338 035	BEARING 100X125X13	BCFGHPQ		■	■	■	■	■	■									
107		0730 513 753	RETAINER RING T.2,00 MM	BCFGHPQ		■	■	■	■	■	■									
107		0730 513 752	RETAINER RING T.2,10 MM	BCFGHPQ		■	■	■	■	■	■									
107		0730 513 749	RETAINER RING T.2,40 MM	BCFGHPQ		■	■	■	■	■	■									
108		1297 338 082	SPEEDOMETER GEAR	BCFGHPQ		■	■	■	■	■	■									
109		1297 238 005	DISK	BCFGHPQ		■	■	■	■	■	■									
110	95570647	1296 235 001	SPEEDOMETER SHAFT	BCFGHPQ	■	■	■	■	■	■	■									
111		0634 801 097	O-RING 30X36	BCFGHPQ		■	■	■	■	■	■									
112	95531505	1316 232 019	PLANET CARRIER	ADEM N		■	■	■	■	■	■									

Notes / Note :

- (1) ONLY FOR INPUT SHAFT 1316 202 033
- (2) SPECIAL VERSION. THE CONTROL ROD 1315 312 008 (COMPL. 1316 212 005) USES ITEMS FIG.90-91-92
- (3) SPECIAL VERSION. TO BE COUPLED TOGETHER
- (4) OLD IVECO VERSION. TO BE COUPLED TOGETHER: NOTE C WITH NOTE C - NOTE Q WITH NOTE Q
- (5) ONLY FOR INPUT SHAFT 1316 221 017 - 1316 221 018
- (7) COMPOSE BY 1 PC SYNCHRONIZER CONE + 1 PC FLANGE
- (8) REPLACED BY 1 PC 1315 301 223 + 1 PC 1315 334 056 + 1 PC 0750 112 131 + 1 PC 0634 314 020
- (9) REPLACED BY 1 PC 1296 301 140 + 1 PC 0750 111 341
- (10) REPLACED BY 1 PC 1315 305 009 + 1 PC 0631 329 295
- (11) REPLACED BY 1 PC 1315 305 009 + 1 PC 0631 329 296

- (*)-(@)-(\$)-(&) TO BE COUPLED TOGETHER (From A to Q) TO BE COUPLED TOGETHER
- (A) DOUBLE CONE SYNCHRO - RATIO 13,74-0,84
- (B) SHORT TRAVEL SYNCHRO - RATIO 13,80-0,84
- (C) DOUBLE CONE SYNCHRO - RATIO 13,80-0,84
- (D) SHORT TRAVEL SYNCHRO - RATIO 13,80-0,84
- (E) DOUBLE CONE SYNCHRO - RATIO 13,80-0,84
- (F) DOUBLE CONE SYNCHRO - RATIO 13,85-0,84
- (G) SHORT TRAVEL SYNCHRO - RATIO 13,86-0,84
- (H) DOUBLE CONE SYNCHRO - RATIO 13,86-0,84
- (M) SHORT TRAVEL SYNCHRO - RATIO 16,41-1,00
- (N) DOUBLE CONE SYNCHRO - RATIO 16,41-1,00

- (P) SHORT TRAVEL SYNCHRO - RATIO 16,47-1,00
- (Q) DOUBLE CONE SYNCHRO - RATIO 16,47-1,00

Continued

Our Parts are not original but perfectly interchangeable with the O.E.M ones. All original equipment manufacturers' names, numbers, symbols and descriptions used in this catalogue are for reference purposes only.

Tutti i nostri particolari non sono originali ma con essi intercambiabili. Tutti i riferimenti dei costruttori originali sono usati a semplice titolo indicativo.

Fig.	Our No.	Part No.	Description	Note	TP	A-R.13,74-0,84	BCDE-R.13,80-0,84	F-R.13,85-0,84	GH-R.13,86-0,84	MN-R.16,41-1,00	PQ-R.16,47-1,00									
113	95534252	1316 332 096	PIN	ADEMNI		■	■			■										
114	95532270	0730 109 323	THRUST WASHER	ADEMNI	■	■	■			■										
115	95532269	0730 109 309	WASHER	ADEMNI	●	■	■			■										
116	95570722	0750 119 116	NEEDLE D.10X16,8	ADEMNI	●	■	■			■										
117	95531506	1316 232 011	GEAR SET 28 T. (5 PCS)	ADEMNI		■	■			■										
118	95531485	1315 332 041	HELICAL RING GEAR 82 T.	ADEMNI	■	■	■			■										
119	95531486	1316 332 103	CARRIER HUB	ADEMNI		■	■			■										
120		0730 513 583	RETAINER RING	ADEMNI		■	■			■										
121		1316 333 014	INTERMEDIATE RING	ADEMNI		■	■			■										
122	98530317	0735 298 169	BEARING 104,5X128,4X10	ADEMNI	■	■	■			■										
123	95570582	1315 233 006	SYNCHRONIZER CONE	BCFGHPQ			■	■	■		■									
124	95530648	1296 333 022	SYNCHRONIZER RING	Old Type		■	■	■	■	■	■									
124	95531084	1296 333 045	SYNCHRONIZER RING	New Type		■	■	■	■	■	■									
125	95570725	1297 333 115	SYNCHRONIZER HUB	BCFGHPQ			■	■	■		■									
126	95530649	1296 333 023	SLIDING SLEEVE			■	■	■	■	■	■									
127	95570726	1297 233 056	SYNCHRONIZER CONE	BCFGHPQ			■	■	■		■									
128	95531530	1316 233 010	RETARDER GEAR 59 T.	BCFGHPQ			■	■	■		■									
129		0630 501 175	SEEGER RING T.3,70 MM			■	■	■	■	■	■									
129		0630 501 061	SEEGER RING T.4,00 MM			■	■	■	■	■	■									
130	95530100	1240 304 278	SLIDING BLOCK	9 pcs.		■	■	■	■	■	■									
131	95530284	0732 040 386	SPRING	9 pcs.		■	■	■	■	■	■									
132	95530270	0732 040 385	SPRING	9 pcs.		■	■	■	■	■	■									
133	95531283	1296 333 046	SYNCHRONIZER CONE	ADEMNI	◆	■	■			■										
133	95570582	1315 233 006	SYNCHRONIZER CONE	(7)		■	■			■										
134	95531282	1296 333 050	SYNCHRONIZER CONE	ADEMNI		■	■			■										
135	95570993	1313 333 001	SYNCHRONIZER HUB	ADEMNI		■	■			■										
136	95531284	1316 233 015	SYNCHRONIZER CONE	ADEMNI		■	■			■										
137	95531295	1316 233 014	RETARDER GEAR 59 T.	ADEMNI		■	■			■										
138	95534242	1316 301 042	GASKET		●	■		■	■	■										
138	95534420	1315 301 095	INTARDER GASKET		●		■				■									
139		1315 301 118	SHEET STEEL			■	■	■	■	■	■									
141		1315 301 117	COVER	OLD(8)		■	■	■	■	■	■									
141		1315 301 224	COVER	OLD		■	■	■	■	■	■									
141		1315 301 223	COVER	NEW		■	■	■	■	■	■									
142	95531593	1238 308 201	GASKET		●	■	■	■	■	■	■									

Notes / Note :

- (1) ONLY FOR INPUT SHAFT 1316 202 033
- (2) SPECIAL VERSION. THE CONTROL ROD 1315 312 008 (COMPL. 1316 212 005) USES ITEMS FIG.90-91-92
- (3) SPECIAL VERSION. TO BE COUPLED TOGETHER
- (4) OLD IVECO VERSION. TO BE COUPLED TOGETHER: NOTE C WITH NOTE C - NOTE Q WITH NOTE Q
- (5) ONLY FOR INPUT SHAFT 1316 221 017 - 1316 221 018
- (7) COMPOSE BY 1 PC SYNCHRONIZER CONE + 1 PC FLANGE
- (8) REPLACED BY 1 PC 1315 301 223 + 1 PC 1315 334 056 + 1 PC 0750 112 131 + 1 PC 0634 314 020
- (9) REPLACED BY 1 PC 1296 301 140 + 1 PC 0750 111 341
- (10) REPLACED BY 1 PC 1315 305 009 + 1 PC 0631 329 295
- (11) REPLACED BY 1 PC 1315 305 009 + 1 PC 0631 329 296

- (*)-(@)-(\$)-(&) TO BE COUPLED TOGETHER (From A to Q) TO BE COUPLED TOGETHER
- (A) DOUBLE CONE SYNCHRO - RATIO 13,74-0,84
- (B) SHORT TRAVEL SYNCHRO - RATIO 13,80-0,84
- (C) DOUBLE CONE SYNCHRO - RATIO 13,80-0,84
- (D) SHORT TRAVEL SYNCHRO - RATIO 13,80-0,84
- (E) DOUBLE CONE SYNCHRO - RATIO 13,80-0,84
- (F) DOUBLE CONE SYNCHRO - RATIO 13,85-0,84
- (G) SHORT TRAVEL SYNCHRO - RATIO 13,86-0,84
- (H) DOUBLE CONE SYNCHRO - RATIO 13,86-0,84
- (M) SHORT TRAVEL SYNCHRO - RATIO 16,41-1,00
- (N) DOUBLE CONE SYNCHRO - RATIO 16,41-1,00

- (P) SHORT TRAVEL SYNCHRO - RATIO 16,47-1,00
- (Q) DOUBLE CONE SYNCHRO - RATIO 16,47-1,00

Continued

Our Parts are not original but perfectly interchangeable with the O.E.M ones. All original equipment manufacturers' names, numbers, symbols and descriptions used in this catalogue are for reference purposes only.
Tutti i nostri particolari non sono originali ma con essi intercambiabili. Tutti i riferimenti dei costruttori originali sono usati a semplice titolo indicativo.

Fig.	Our No.	Part No.	Description	Note	TP	A-R.13,74-0,84	BCDE-R.13,80-0,84	F-R.13,85-0,84	GH-R.13,86-0,84	MN-R.16,41-1,00	PQ-R.16,47-1,00									
143	95531377	1304 301 034	COVER		■															
144	98530050	0750 116 002	BEARING 90X160X30		●															
145		0730 100 116	WASHER T.0,20 MM																	
145	95532106	0730 003 515	WASHER T.0,60 MM		■															
146	95532554	0750 112 136	PAPER GASKET	OLD	■															
146	95532482	1315 331 001	SHEET GASKET	NEW	NSS															
147		1315 231 002	COVER	(9)OLD																
147		1315 301 220	COVER	NEW																
148	95532542	0750 111 341	OIL SEAL 105X130X12		●															
149		1297 333 110	OUTPUT FLANGE																	
149		1316 338 002	OUTPUT FLANGE																	
149		1312 333 018	FLANGE D.200 - 4 HOLES																	
149		1316 338 003	OUTPUT FLANGE																	
150		0634 313 805	O-RING 82X4																	
151		1312 332 028	WASHER																	
152		0636 011 540	SCREW M12X60																	
153	95530797	1296 334 004	SLIDING BLOCK																	
154		1315 334 039	FORK																	
155		1316 334 005	TIE ROD	OLD																
155	95532486	1316 334 010	SELECTOR ROD	NEW																
156	95532553	0750 112 131	OIL SEAL 25X40X15		●															
157	95532397	0734 307 294	OIL SEAL 49X91X7,4		●															
158		1315 334 034	PISTON																	
159	95531395	0750 112 066	RING		●															
160	95532397	0734 307 294	OIL SEAL 49X91X7,4		●															
161		0737 006 095	NUT M16X1,5																	
162	95531699	0501 317 536	RING		●															
163	95534225	1315 334 056	CYLINDER		■															
164	95531069	0750 112 034	GASKET 25X38X14,2	(3)	●															
165	95570654	1296 334 039	PISTON	(3)	■															
166	95532408	0734 317 150	RING 80X90X4,8	(3)	●															
167	95531395	0750 112 066	RING	(3)	●															
168	95532408	0734 317 150	RING 80X90X4,8	(3)	●															
169		0737 006 095	NUT M16X1,5	(3)																
170	95531699	0501 317 536	RING	(3)	●															

Notes / Note :

- (1) ONLY FOR INPUT SHAFT 1316 202 033
- (2) SPECIAL VERSION. THE CONTROL ROD 1315 312 008 (COMPL. 1316 212 005) USES ITEMS FIG.90-91-92
- (3) SPECIAL VERSION. TO BE COUPLED TOGETHER
- (4) OLD IVECO VERSION. TO BE COUPLED TOGETHER: NOTE C WITH NOTE C - NOTE Q WITH NOTE Q
- (5) ONLY FOR INPUT SHAFT 1316 221 017 - 1316 221 018
- (7) COMPOSE BY 1 PC SYNCHRONIZER CONE + 1 PC FLANGE
- (8) REPLACED BY 1 PC 1315 301 223 + 1 PC 1315 334 056 + 1 PC 0750 112 131 + 1 PC 0634 314 020
- (9) REPLACED BY 1 PC 1296 301 140 + 1 PC 0750 111 341
- (10) REPLACED BY 1 PC 1315 305 009 + 1 PC 0631 329 295
- (11) REPLACED BY 1 PC 1315 305 009 + 1 PC 0631 329 296

- (*)-(@)-(\$)-(&) TO BE COUPLED TOGETHER (From A to Q) TO BE COUPLED TOGETHER
- (A) DOUBLE CONE SYNCHRO - RATIO 13,74-0,84
- (B) SHORT TRAVEL SYNCHRO - RATIO 13,80-0,84
- (C) DOUBLE CONE SYNCHRO - RATIO 13,80-0,84
- (D) SHORT TRAVEL SYNCHRO - RATIO 13,80-0,84
- (E) DOUBLE CONE SYNCHRO - RATIO 13,80-0,84
- (F) DOUBLE CONE SYNCHRO - RATIO 13,85-0,84
- (G) SHORT TRAVEL SYNCHRO - RATIO 13,86-0,84
- (H) DOUBLE CONE SYNCHRO - RATIO 13,86-0,84
- (M) SHORT TRAVEL SYNCHRO - RATIO 16,41-1,00
- (N) DOUBLE CONE SYNCHRO - RATIO 16,41-1,00

- (P) SHORT TRAVEL SYNCHRO - RATIO 16,47-1,00
- (Q) DOUBLE CONE SYNCHRO - RATIO 16,47-1,00

Continued

Our Parts are not original but perfectly interchangeable with the O.E.M ones. All original equipment manufacturers' names, numbers, symbols and descriptions used in this catalogue are for reference purposes only.
Tutti i nostri particolari non sono originali ma con essi intercambiabili. Tutti i riferimenti dei costruttori originali sono usati a semplice titolo indicativo.

Fig.	Our No.	Part No.	Description	Note	TP	A-R.13,74-0,84	BCDE-R.13,80-0,84	F-R.13,85-0,84	GH-R.13,86-0,84	MN-R.16,41-1,00	PQ-R.16,47-1,00									
171		1315 334 021	CYLINDER	(3)		■	■	■	■	■	■									
172		0730 101 471	WASHER S.2,00 MM			■	■	■	■	■	■									
172		0730 100 799	WASHER S.2,50 MM			■	■	■	■	■	■									
172		0730 106 917	WASHER S.3,00 MM			■	■	■	■	■	■									
173	95530627	0630 531 064	SEEGER RING T.2,50 MM		■	■	■	■	■	■	■									
173	95530448	0630 501 114	SEEGER RING T.2,80 MM		■	■	■	■	■	■	■									
173	95530923	0630 531 065	SEEGER RING T.3,00 MM		■	■	■	■	■	■	■									
174	98530051	0750 117 009	BEARING 49,2X103,1X43,6		●	■	■	■	■	■	■									
175	95531205	1316 303 031	CONSTANT GEAR 37 T	ABC		■	■													
175	95531532	1316 303 002	CONSTANT GEAR 37 T	CF(4)	■		■	■												
175	95531533	1316 303 064	CONSTANT GEAR 32 T.	DEGH	■		■		■											
175	95531534	1316 303 030	CONSTANT GEAR 39 T.	MNPQ						■	■									
175	95531535	1316 303 001	CONSTANT GEAR 48 T.	Q(4)							■									
176	95531202	1316 303 004	GEAR C/S 4TH 39 T.	ABCF		■	■	■												
176	95531536	1316 303 065	GEAR 35 T.	DEGHMNPQ			■		■	■	■									
177	95531201	1316 303 006	GEAR 3RD 28 T	ABCF		■	■	■												
177	95531537	1316 303 005	GEAR 3RD 26 T.	DEGHMNPQ			■		■	■	■									
178	95531206	1316 303 034	COUNTERSHAFT 23/19 T.	ABC		■	■													
178		1316 303 008	COUNTERSHAFT 23/19 T.	CF(4)OLD			■	■												
178		1316 303 053	COUNTERSHAFT	NEW			■	■												
178	95531511	1316 303 033	COUNTERSHAFT 20/17 T.	DEGHMNPQ			■		■	■	■									
178		1316 303 007	COUNTERSHAFT 20/17 T.	Q(4)OLD							■									
178		1316 303 052	COUNTERSHAFT	NEW							■									
179	98530349	0750 115 369	NEEDLE BEARING 45X57X25		■	■	■	■	■	■	■									
180	95531540	1316 305 002	REVERSE GEAR 20 T.	ABCF	■	■	■	■												
180	95531512	1316 305 001	REVERSE GEAR 22 T.	DEGHMNPQ	■		■		■	■	■									
181		1316 201 030	REVERSE PIN	ABCF(10)		■	■	■												
181		1316 201 029	REVERSE PIN	DEGHMNPQ11			■		■	■	■									
181		1315 305 009	REVERSE PIN	NEW		■	■	■	■	■	■									
182	95570208	0631 329 167	LOCK PIN 3X28	5 pcs.	■	■	■	■	■	■	■									
183	95570209	0631 329 051	LOCK PIN 5X28	5 pcs.	■	■	■	■	■	■	■									
184	95531665	0501 208 629	VALVE		■	■	■	■	■	■	■									
184		0501 209 435	VALVE	OLD		■	■	■	■	■	■									
184	95531666	0501 208 630	VALVE	NEW	■	■	■	■	■	■	■									
185		1316 201 022	GEARBOX HOUSING	OLD		■	■	■	■	■	■									

Notes / Note :

- | | | |
|---|---|---|
| (1) ONLY FOR INPUT SHAFT 1316 202 033 | (*)-(@)-(\$)-(&) TO BE COUPLED TOGETHER | (P) SHORT TRAVEL SYNCHRO - RATIO 16,47-1,00 |
| (2) SPECIAL VERSION. THE CONTROL ROD 1315 312 008 (COMPL. 1316 212 005) USES ITEMS FIG.90-91-92 | (From A to Q) TO BE COUPLED TOGETHER | (Q) DOUBLE CONE SYNCHRO - RATIO 16,47-1,00 |
| (3) SPECIAL VERSION. TO BE COUPLED TOGETHER | (A) DOUBLE CONE SYNCHRO - RATIO 13,74-0,84 | |
| (4) OLD IVECO VERSION. TO BE COUPLED TOGETHER: NOTE C WITH NOTE C - NOTE Q WITH NOTE Q | (B) SHORT TRAVEL SYNCHRO - RATIO 13,80-0,84 | |
| (5) ONLY FOR INPUT SHAFT 1316 221 017 - 1316 221 018 | (C) DOUBLE CONE SYNCHRO - RATIO 13,80-0,84 | |
| (6) COMPOSE BY 1 PC SYNCHRONIZER CONE + 1 PC FLANGE | (D) SHORT TRAVEL SYNCHRO - RATIO 13,80-0,84 | |
| (7) REPLACED BY 1 PC 1315 301 223 + 1 PC 1315 334 056 + 1 PC 0750 112 131 + 1 PC 0634 314 020 | (E) DOUBLE CONE SYNCHRO - RATIO 13,80-0,84 | |
| (8) REPLACED BY 1 PC 1296 301 140 + 1 PC 0750 111 341 | (F) DOUBLE CONE SYNCHRO - RATIO 13,85-0,84 | |
| (9) REPLACED BY 1 PC 1315 305 009 + 1 PC 0631 329 295 | (G) SHORT TRAVEL SYNCHRO - RATIO 13,86-0,84 | |
| (10) REPLACED BY 1 PC 1315 305 009 + 1 PC 0631 329 296 | (H) DOUBLE CONE SYNCHRO - RATIO 13,86-0,84 | |
| (11) REPLACED BY 1 PC 1315 305 009 + 1 PC 0631 329 296 | (M) SHORT TRAVEL SYNCHRO - RATIO 16,41-1,00 | |
| | (N) DOUBLE CONE SYNCHRO - RATIO 16,41-1,00 | |

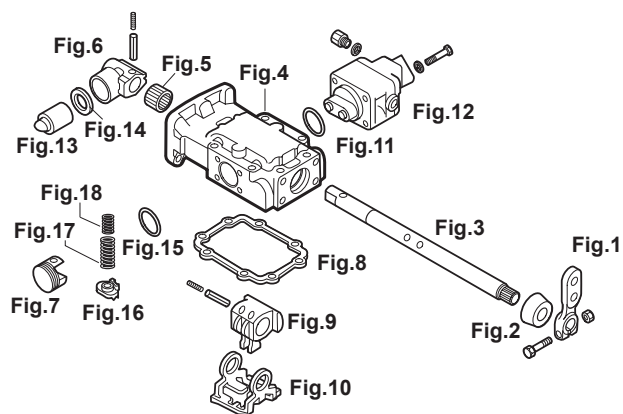
Continued

Our Parts are not original but perfectly interchangeable with the O.E.M ones. All original equipment manufacturers' names, numbers, symbols and descriptions used in this catalogue are for reference purposes only.
 Tutti i nostri particolari non sono originali ma con essi intercambiabili. Tutti i riferimenti dei costruttori originali sono usati a semplice titolo indicativo.



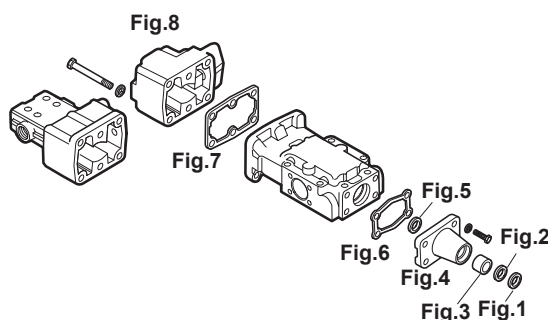
16S221 Selector Mechanism

Fig.	Our No.	Part No.	TP	Description	Note
1		1304 307 360		LEVER	
2	95532736	1238 307 411	■	COVER	
3	95532487	1315 307 086		SELECTOR ROD	
4		1315 307 001		COVER	
5	98530219	0635 303 053	■	BEARING 25X32X20	
6		1315 307 005		STOP SEGMENT	
7		1315 307 018		COVER	
8	95534160	1315 307 013	●	GASKET	
9		1315 307 074		DRIVER	
10		1315 307 308		BRAKET	
11	95531009	0634 316 057	●	O-RING 36,2X3	
12	95531374	6038 202 003	■	VALVE	
12		6038 202 012		VALVE	
13		1315 207 006		PIN	
14		0730 006 993		WASHER S.1,50 MM	
14		0730 002 069		WASHER S.1,00 MM	
15	95531009	0634 316 057	●	O-RING 36,2X3	
16		1315 307 007		STOP SEGMENT	
17		0732 042 365		SPRING	
18		0732 042 366		SPRING	



OPTIONS

Fig.	Our No.	Part No.	TP	Description	Note
1	95531248	0634 307 367	●	OIL SEAL 25X35X7/10	
2	95531247	0634 300 302	●	OIL SEAL 25X35X7	
3	95570501	0730 260 330		BUSH	
4		1304 307 425		COVER	
5	95531870	0634 300 020	●	OIL SEAL 25X32X5	
6	95531589	0501 318 308	●	GASKET	
7	95534159	1315 307 012	●	GASKET	
8		1315 307 065		COVER	



16S221 Selector Mechanism

Fig.	Our No.	Part No.	TP	Description	Note
1		1304 307 360		LEVER	
1		1295 307 542		LEVER	
3	95532736	1238 307 411	■	COVER	
4		1315 307 094		ROD	
4		1315 307 158		ROD	
4		1315 307 205		ROD	
4		1315 307 184		ROD	(*)
5		1315 307 101		SUPPORT	(*)
6		1315 307 123		COVER	
7	98530219	0635 303 053	■	BEARING 25X32X20	
8		1315 307 304		BRAKET	
9		1315 307 120		BRAKET	
10	95531935	0634 313 505	●	O-RING	
11		6038 202 043		VALVE	
11		6038 202 042		VALVE	(*)
12		0501 209 212		BRAKET	
13		0630 532 130		RETAINER RING	
14	95534160	1315 307 013	●	GASKET	
15		1315 307 188		BRAKET	
16		1315 307 308		BRAKET	

(*) To be coupled together.

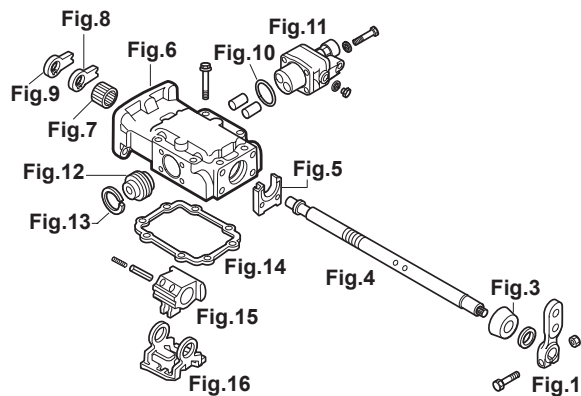
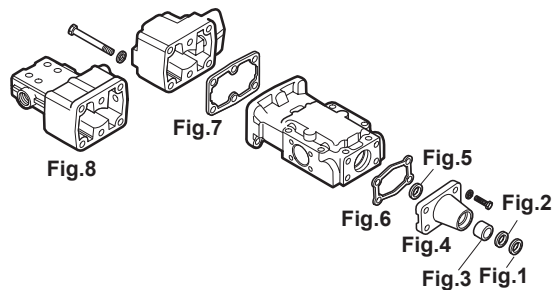
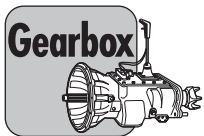


Fig.	Our No.	Part No.	TP	Description	Note
1	95531248	0634 307 367	●	OIL SEAL 25X35X7/10	
2	95531247	0634 300 302	●	OIL SEAL 25X35X7	
3	95570501	0730 260 330		BUSH	
4		1304 307 425		COVER	
5	95531870	0634 300 020	●	OIL SEAL 25X32X5	
6	95531589	0501 318 308	●	GASKET	
7	95534159	1315 307 012	●	GASKET	
8		1315 307 140		COVER	
8		1315 307 151		COVER	(*)

(*) To be coupled together with control rod 1315 307 184 / 1315 307 101





16S221 Selector Mechanism

Fig.	Our No.	Part No.	TP	Description	Note
1	95532736	1238 307 411	■	COVER	
3		1315 307 305		BRACKET	
4		0730 063 273		BUSH	
5		1315 307 111		BRACKET	
6		1315 307 307		SHAFT	
7	98530219	0635 303 053	■	BEARING 25X32X20	
8		1315 307 197		COVER	
9		1315 307 201		GASKET	
10		1315 307 314		COVER	
11	95534160	1315 307 013	●	GASKET	
12		1315 307 189		DRIVER	
13		1315 307 308		BRACKET	
14		1315 307 274		ROD	
15		0501 209 212		BRACKET	
16		0630 532 130		RETAINER RING	
17	95531935	0634 313 505	●	O-RING	
18		6038 202 043		VALVE	

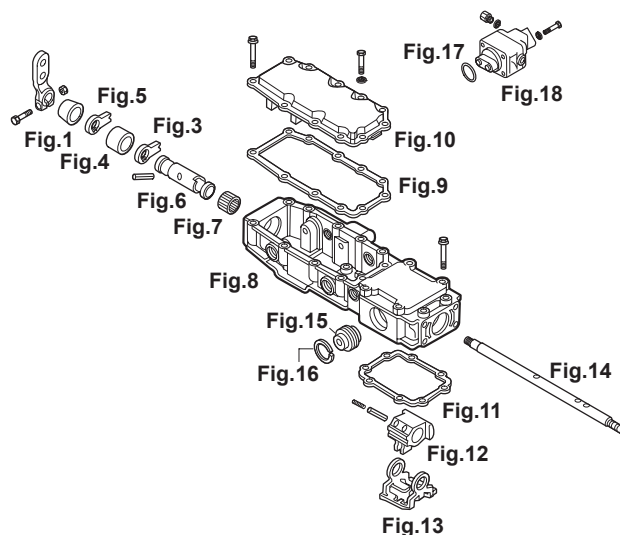
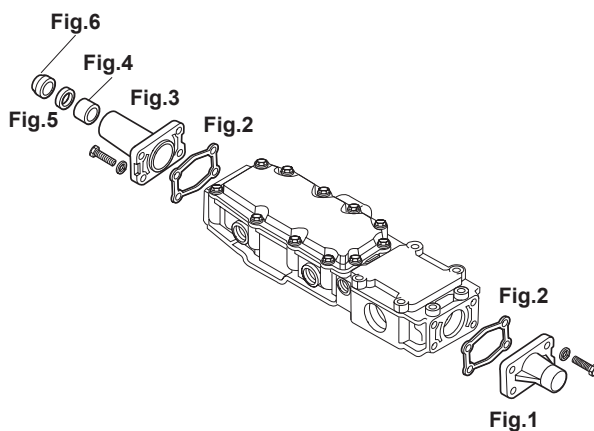


Fig.	Our No.	Part No.	TP	Description	Note
1		1315 307 228		COVER	
2	95531589	0501 318 308	●	GASKET	
3		1315 307 179		COVER	
4	95570501	0730 260 330		BUSH	
5	95531247	0634 300 302	●	OIL SEAL 25X35X7	
6	95531248	0634 307 367	●	OIL SEAL 25X35X7/10	



OPTIONS

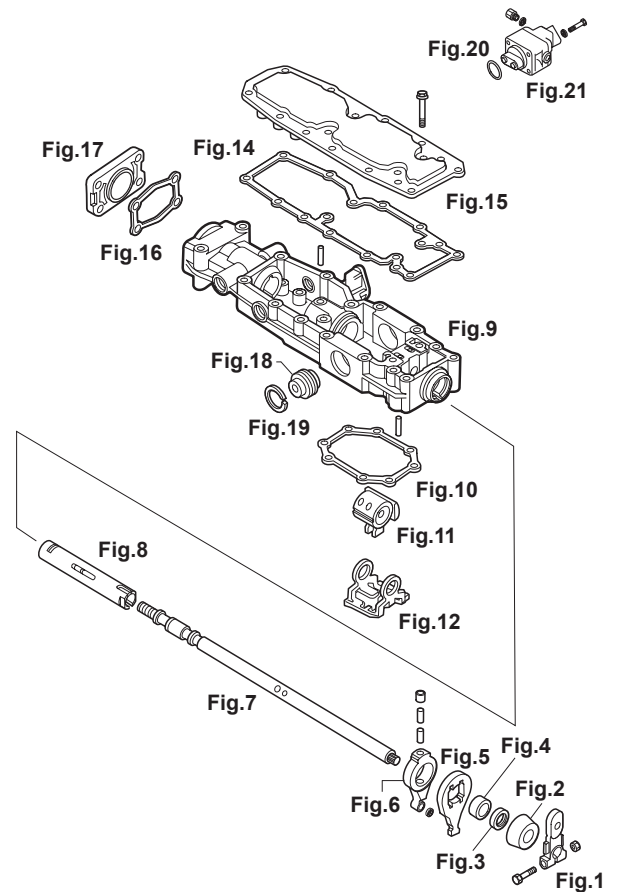


16S221 Selector Mechanism

Fig.	Our No.	Part No.	TP	Description	Note
1		1315 307 299		LEVER	
2		1315 307 387		COVER	
3	95532398	0734 309 376	●	OIL SEAL 28X42X11	
4		0730 260 703		BUSH	
5		1315 307 292		DRIVER	
6		1316 208 002		DRIVER	
7		1315 307 264		ROD	
7		1315 307 327		ROD	
7		1315 307 371		ROD	
7		1315 307 343		ROD	(*)
7		1315 307 356		ROD	(*)
8		1315 307 294		TUBE	
8		1315 307 326		TUBE	(*)
9		1315 307 383		COVER	
10	95534160	1315 307 013	●	GASKET	
11		1315 307 319		DRIVER	
12		1315 307 218		SUPPORT	
14	95531696	0501 317 240	NSS	GASKET	
15		1315 307 286		COVER	
16		1315 307 366		GASKET	
17		1315 307 279		COVER	
18		0501 209 212		BRAKET	
19		0630 532 130		RETAINER RING	
20	95531935	0634 313 505	●	O-RING	
21		6038 202 043		VALVE	
21		6038 202 042		VALVE	(*)

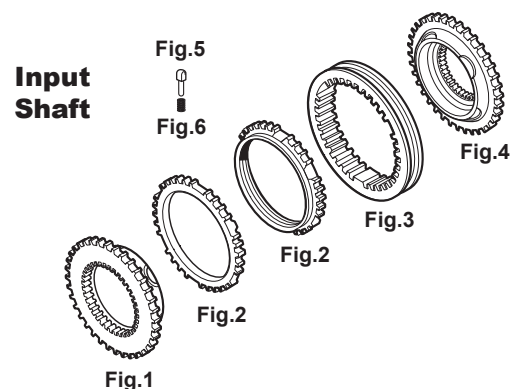
(*) To be coupled together.

SERVO



16S221 Kits

Fig.	Our No.	Part No.	TP	Description	Note
	95531358	1297 298 955		SYNCHRONIZER KIT	
1	95570220	1312 304 027		SYNCHRONIZER CONE	1 pc.
2	95531072	1297 304 484		SYNCHRONIZER RING	2 pcs.
3	95570219	1310 304 202		SLIDING SLEEVE 3RD/4TH SP	1 pc.
4	95570241	1312 304 056		SYNCHRONIZER CONE	1 pc.
5	95570574	1297 304 436		SLIDE	3 pcs.
6	95570470	0732 040 409		PRESSURE SPRING	3 pcs.





16S221 Kits

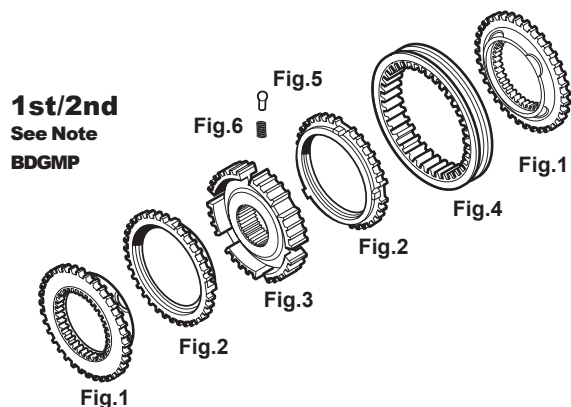
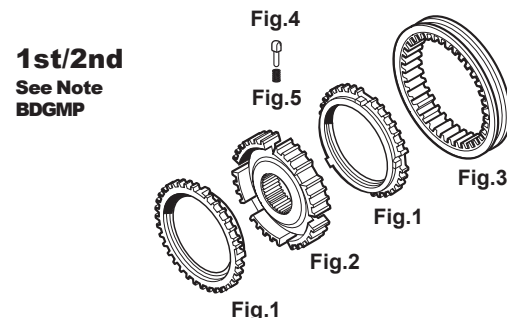
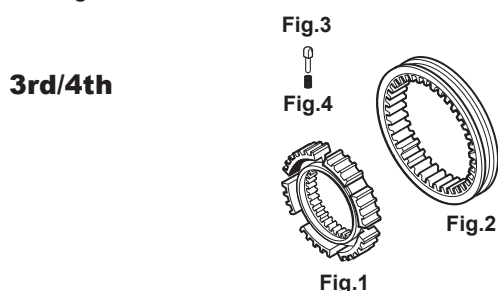
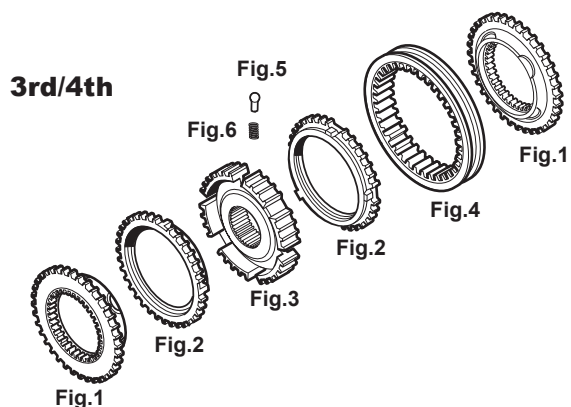
Fig.	Our No.	Part No.	TP	Description	Q.ty
	95531357	1315 298 018		SYNCHRONIZER KIT 3RD/4TH	
1	95570220	1312 304 027		SYNCHRONIZER CONE	2 pcs.
2	95531072	1297 304 484		SYNCHRONIZER RING	2 pcs.
3	95570839	1312 304 052		SYNCHRONIZER HUB 3RD/4TH	1 pc.
4	95570219	1310 304 202		SLIDING SLEEVE 3RD/4TH SP	1 pc.
5	95570574	1297 304 436		SLIDE	3 pcs.
6	95570470	0732 040 409		PRESSURE SPRING	3 pcs.

Fig.	Our No.	Part No.	TP	Description	Q.ty
	95531363	1312 204 028		SYNCHRONIZER KIT 3RD/4TH	
1	95570839	1312 304 052		SYNCHRONIZER HUB 3RD/4TH	1 pc.
2	95570219	1310 304 202		SLIDING SLEEVE 3RD/4TH SP	1 pc.
3	95570574	1297 304 436		SLIDE	3 pcs.
4	95570470	0732 040 409		PRESSURE SPRING	3 pcs.

Fig.	Our No.	Part No.	TP	Description	Q.ty
	95531364	1312 204 031		SYNCHRONIZER KIT 3RD/4TH	
1	95570220	1312 304 027		SYNCHRONIZER CONE	1 pc.
2	95531072	1297 304 484		SYNCHRONIZER RING	1 pc.

Fig.	Our No.	Part No.	TP	Description	Q.ty
	95531359	1313 204 003		SYNCHRONIZER KIT 1ST/2ND	
1	95570217	1297 304 401		SYNCHRONIZER RING	2 pcs.
2	95570896	1313 304 008		SYNCHRONIZER HUB	1 pc.
3	95570218	1316 304 078		SLIDING SLEEVE 1ST/2ND	1 pc.
4	95570574	1297 304 436		SLIDE	3 pcs.
5	95570470	0732 040 409		PRESSURE SPRING	3 pcs.

Fig.	Our No.	Part No.	TP	Description	Q.ty
		1313 298 909		SYNCHRONIZER KIT 1ST/2ND	
1	95570224	1313 304 009		SYNCHRONIZER CONE	2 pcs.
2	95570217	1297 304 401		SYNCHRONIZER RING	2 pcs.
3	95570896	1313 304 008		SYNCHRONIZER HUB	1 pc.
4	95570218	1316 304 078		SLIDING SLEEVE 1ST/2ND	1 pc.
5	95570574	1297 304 436		SLIDE	3 pcs.
6	95570470	0732 040 409		PRESSURE SPRING	3 pcs.



16S221 Kits

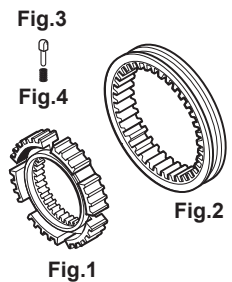
Fig.	Our No.	Part No.	TP	Description	Q.ty
	95531365	1313 204 008		SYNCHRONIZER KIT 1ST/2ND	
1	95570896	1313 304 008		SYNCHRONIZER HUB	1 pc.
2	95570218	1316 304 078		SLIDING SLEEVE 1ST/2ND	1 pc.
3	95570574	1297 304 436		SLIDE	3 pcs.
4	95570470	0732 040 409		PRESSURE SPRING	3 pcs.

Fig.	Our No.	Part No.	TP	Description	Q.ty
		1313 204 009		SYNCHRONIZER KIT 1ST/2ND	
1	95570224	1313 304 009		SYNCHRONIZER CONE	1 pc.
2	95531085	1297 304 485		SYNCHRONIZER RING	1 pc.

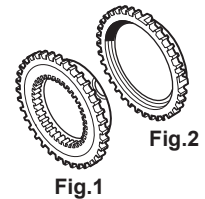
Fig.	Our No.	Part No.	TP	Description	Q.ty
	95534365	1312 298 911		SYNCHRONIZER KIT 1ST/2ND	
1	95570642	1312 304 106		SYNCHRONIZER CONE	2 pcs.
2	95570599	1268 304 424		SYNCHRONIZER CONE	2 pcs.
3	95570600	1268 304 494	●	SYNCHRONIZER RING	2 pcs.
4	95570601	1268 304 525		SYNCHRONIZER RING	2 pcs.
5	95570551	1312 304 158		SYNCHRONIZER HUB	1 pc.
6	95570555	1310 304 175		SLIDING SLEEVE	1 pc.
7	95570643	1312 304 159		SLIDING BLOCK	3 pcs.
8	95531281	1295 298 956		REPAIR KIT	1 pc.

Fig.	Our No.	Part No.	TP	Description	Q.ty
	95534148	1315 298 034		SYNCHRONIZER KIT	
1	95531282	1296 333 050		SYNCHRONIZER CONE	1 pc.
2	95531084	1296 333 045		SYNCHRONIZER RING	2 pcs.
3	95530649	1296 333 023		SLIDING SLEEVE	1 pc.
4	95531284	1316 233 015		SYNCHRONIZER CONE	1 pc.
5	95530100	1240 304 278		SLIDING BLOCK	9 pcs.
6	95530270	0732 040 385		SPRING	9 pcs.
7	95530284	0732 040 386		SPRING	9 pcs.

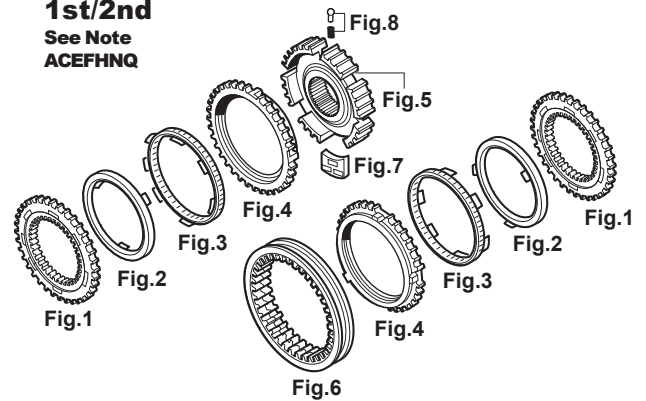
1st/2nd
See Note
BDGMP



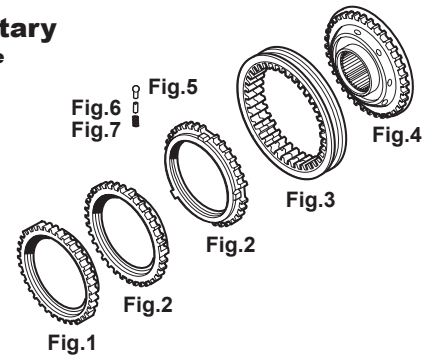
1st/2nd
See Note
BDGMP

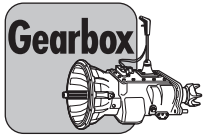


1st/2nd
See Note
ACEFHQ



Planetary
See Note
ADEMN





**Synchronizer Kits
OLD**

Fig.	Our No.	Part No.	TP	Description	Q.ty
	95531705	1315 298 054		SYNCHRONIZER KIT 1ST/2ND	
1	95531630	1316 304 146		SYNCHRONIZER CONE 1ST/2ND	2 pcs.
2	95531629	1316 304 150		SYNCHRONIZER RING RH	2 pcs.
3	95531634	1316 304 148		SYNCHRONIZER HUB 1ST/2ND	1 pc.
4	95531627	1315 304 136		SLIDING SLEEVE	1 pc.
5	95570574	1297 304 436		SLIDE	3 pcs.
6	95570470	0732 040 409		PRESSURE SPRING	3 pcs.

NEW

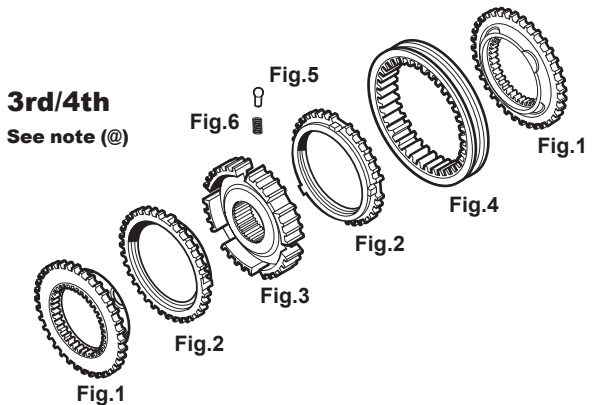
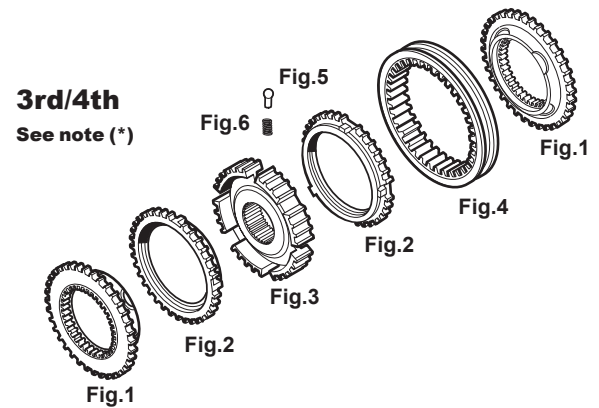
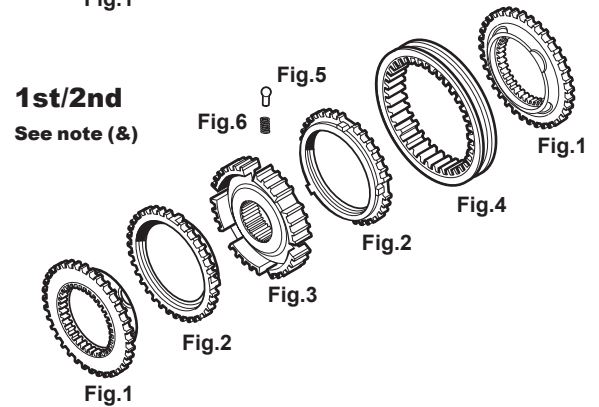
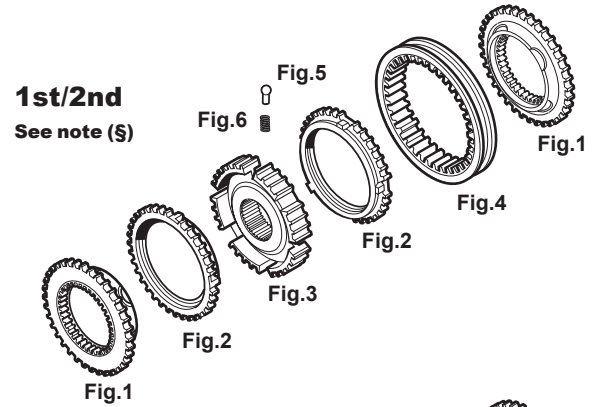
Fig.	Our No.	Part No.	TP	Description	Q.ty
	95534452	1315 298 060		SYNCHRONIZER KIT 1ST/2ND	
1	95534407	1316 304 156		SYNCHRONIZER CONE 1ST/2ND	2 pcs.
2	95534388	1316 304 170	●	SYNCHRONIZER RING LH	2 pcs.
3	95534408	1316 304 163		SYNCHRONIZER HUB 1ST/2ND	1 pc.
4	95534379	1316 304 169	●	SLIDING SLEEVE	1 pc.
5	95570574	1297 304 436		SLIDE	3 pcs.
6	95570470	0732 040 409		PRESSURE SPRING	3 pcs.

OLD

Fig.	Our No.	Part No.	TP	Description	Q.ty
	95531704	1315 298 055		SYNCHRONIZER KIT 3RD/4TH	
1	95531631	1316 304 145		SYNCHRONIZER CONE 3RD/4TH	2 pcs.
2	95531628	1316 304 149	●	SYNCHRONIZER RING	2 pcs.
3	95531633	1316 304 147		SYNCHRONIZER HUB 3RD/4TH	1 pc.
4	95531632	1315 304 135		SLIDING SLEEVE	1 pc.
5	95570574	1297 304 436		SLIDE	3 pcs.
6	95570470	0732 040 409		PRESSURE SPRING	3 pcs.

NEW

Fig.	Our No.	Part No.	TP	Description	Q.ty
	95534453	1315 298 061		SYNCHRONIZER KIT 3RD/4TH	
1	95534409	1316 304 159		SYNCHRONIZER CONE 3RD/4TH	2 pcs.
2	95534389	1316 304 168	●	SYNCHRONIZER RING	2 pcs.
3	95534410	1316 304 162		SYNCHRONIZER HUB 3RD/4TH	1 pc.
4	95532442	1316 304 167	●	SLIDING SLEEVE	1 pc.
5	95570574	1297 304 436		SLIDE	3 pcs.
6	95570470	0732 040 409		PRESSURE SPRING	3 pcs.



16S221 Kits

Fig.	Our No.	Part No.	TP	Description	Q.ty
	95531261	1315 298 001	●	GASKET KIT	
	95531556	0501 314 587	●	GASKET	1 pc.
	95531589	0501 318 308	●	GASKET	2 pcs.
	95531593	1238 308 201	●	GASKET	1 pc.
	95532480	1315 301 234	NSS	SHEET GASKET	1 pc.
	95531685	0501 314 246	NSS	GASKET	1 pc.
	95532481	1315 303 060	NSS	SHEET GASKET	1 pc.
	95531693	0501 316 146	●	GASKET	1 pc.
	95531696	0501 317 240	NSS	GASKET	1 pc.
	95532418	0666 790 040	NSS	SEAL COMPOUND	1 pc.
	95532482	1315 331 001	NSS	SHEET GASKET	1 pc.
	95532606	1315 307 242	NSS	GASKET	1 pc.
	95534149	1315 301 233	NSS	GASKET	1 pc.
	95534150	1315 301 007	NSS	GASKET	2 pcs.
	95534159	1315 307 012	●	GASKET	1 pc.
	95534160	1315 307 013	●	GASKET	1 pc.
	95534241	1316 301 022	NSS	GASKET	1 pc.
	95534242	1316 301 042	●	GASKET	2 pcs.

95531261
1315 298 001

Gasket Kit

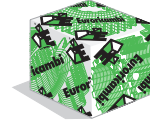
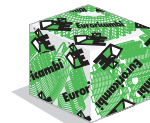
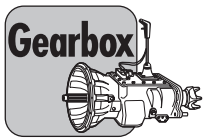


Fig.	Our No.	Part No.	TP	Description	Q.ty
	95534146	1315 298 002	●	SEAL RING KIT	
	95531678	0501 312 738	●	OIL SEAL 30X37X4	4 pcs.
	95531870	0634 300 020	●	OIL SEAL 25X32X5	1 pc.
	95531248	0634 307 367	●	OIL SEAL 25X35X7/10	1 pc.
	95532394	0734 300 196	NSS	OIL SEAL 25X35X7	1 pc.
	95532398	0734 309 376	●	OIL SEAL 28X42X11	1 pc.
	95531557	0734 310 104	●	OIL SEAL 52X68X8	1 pc.
	95532542	0750 111 341	●	OIL SEAL 105X130X12	1 pc.
	95531973	0734 310 387	●	OIL SEAL 55X75X8	1 pc.

95534146
1315 298 002

Seal Ring Kit





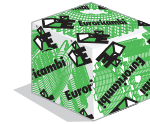
GEARBOX: 16S221

16S221 Kits

Fig.	Our No.	Part No.	TP	Description	Q.ty
95534147		1315 298 003	●	SEAL RING KIT	
		0634 312 523		RING	1 pc.
95532555		0750 112 177	■	RING 55X63X9,4	1 pc.
95531069		0750 112 034	●	GASKET 25X38X14,2	2 pcs.
95532553		0750 112 131	●	OIL SEAL 25X40X15	2 pcs.
95531395		0750 112 066	●	RING	1 pc.
95532408		0734 317 150	●	RING 80X90X4,8	2 pcs.
95531923		0634 313 018	■	O-RING 82X3	1 pc.
		0634 313 198		O-RING 20X3	1 pc.
95531931		0634 313 320	■	O-RING 67X3	1 pc.
95531699		0501 317 536	●	RING	1 pc.
95531939		0634 314 015	●	O-RING 68X4	1 pc.
95531943		0634 314 020	●	O-RING 8X2	4 pcs.
95531009		0634 316 057	●	O-RING 36,2X3	2 pcs.
		0730 008 056		SEAL RING 12X17	1 pc.
95531568		0634 801 062	■	SEAL RING 18X24 DIN7603	12 pcs.
		0634 801 097		O-RING 30X36	1 pc.
		0730 009 515		SEAL RING 22X27	5 pcs.
		0734 303 046		O-RING	1 pc.
		0634 801 206		SEAL RING 24X29	5 pcs.
		0634 801 219		O-RING 16X22	2 pcs.
95532153		0634 801 249		SEAL RING 26X31	1 pc.
		0730 008 057	NSS	WASHER 14X19	8 pcs.
		0730 008 055		RING	1 pc.
		0634 801 321		SPACER 38X44 DIN7603	1 pc.
		0634 313 293		O-RING	1 pc.
95532397		0734 307 294	●	OIL SEAL 49X91X7,4	2 pcs.
95531935		0634 313 505	●	O-RING	1 pc.
		0634 801 203		SPACER 16X22 DIN7603	1 pc.
		0634 313 805		O-RING 82X4	1 pc.

95534147
1315 298 003

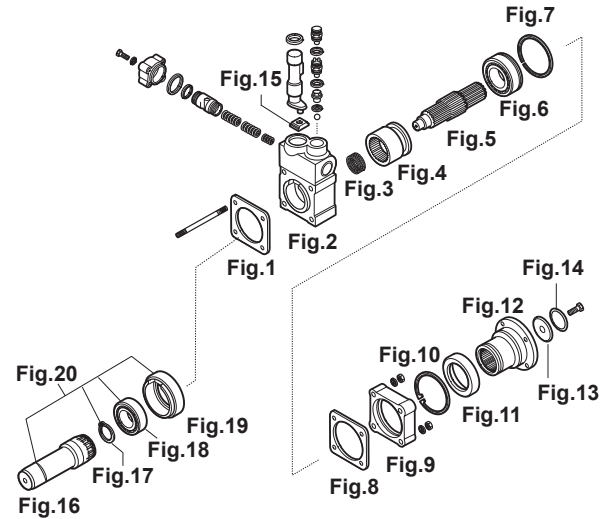
Seal Ring Kit



16S221 P.T.O. (Power Take Off)

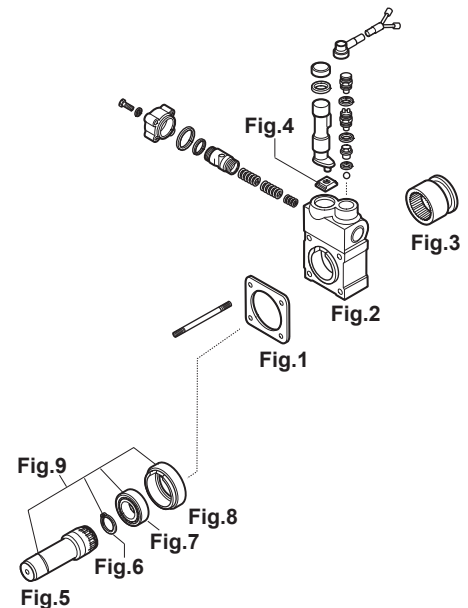
Fig.	Our No.	Part No.	TP	Description	Note
1	95531593	1238 308 201	●	GASKET	
2	95532766	1240 310 125	NSS	HOUSING	
3	0735 320 120			NEEDLE BEARING 16X22X16	
4	95530892	1240 317 075		SLIDING SLEEVE	
5	95530013	1240 310 013	●	SHAFT P.T.O.	
6	0635 332 034			BEARING 40X80X18	
7	0630 503 010			LOCK RING	
8	95531593	1238 308 201	●	GASKET	
9	1238 309 067			COVER	
10	95570130	0630 502 039	NSS	ELASTIC RING	
11	95532409	0734 319 046	■	OIL SEAL 55X80X8	
12	1296 213 003			FLANGE	
13	95570120	1238 310 015	NSS	WASHER	
14	0634 306 234			O-RING 32X2,5	
15	95570118	1238 317 058		SLIDE	
16	95570378	1297 203 005		SHAFT P.T.O. 12 T.	
17	95570191	0630 531 055		SEEGER RING T.1,50 MM	
18	98530103	0635 331 390	●	BEARING 45X75X16	
19	95531058	1295 338 083		BUSH	
20	95570017	1295 142 011		REPAIR KIT	

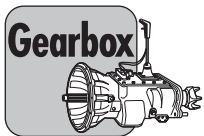
N71/1B



N71/1C

Fig.	Our No.	Part No.	TP	Description	Note
1	95531593	1238 308 201	●	GASKET	
2	95532766	1240 310 125	NSS	HOUSING	
3	95530892	1240 317 075		SLIDING SLEEVE	
4	95570118	1238 317 058		SLIDE	
5	95570378	1297 203 005		SHAFT P.T.O. 12 T.	
6	95570191	0630 531 055		SEEGER RING T.1,50 MM	
7	98530103	0635 331 390	●	BEARING 45X75X16	
8	95531058	1295 338 083		BUSH	
9	95570017	1295 142 011		REPAIR KIT	





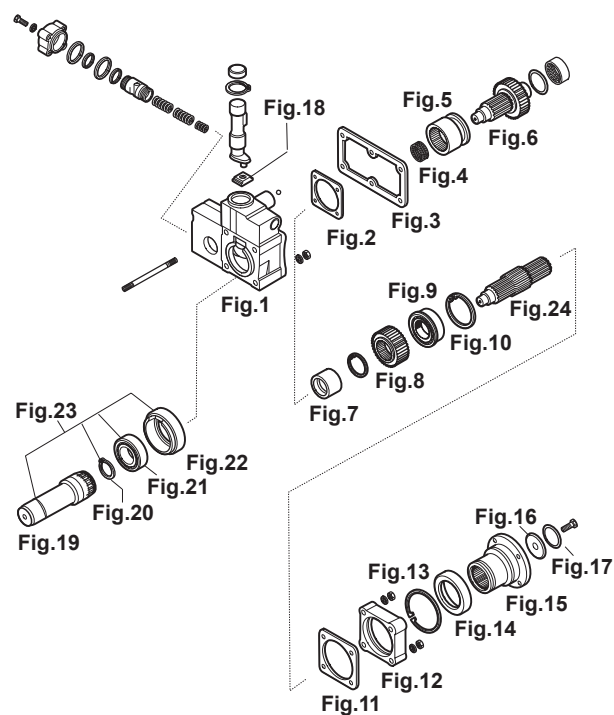
GEARBOX: 16S221

16S221 P.T.O. (Power Take Off)

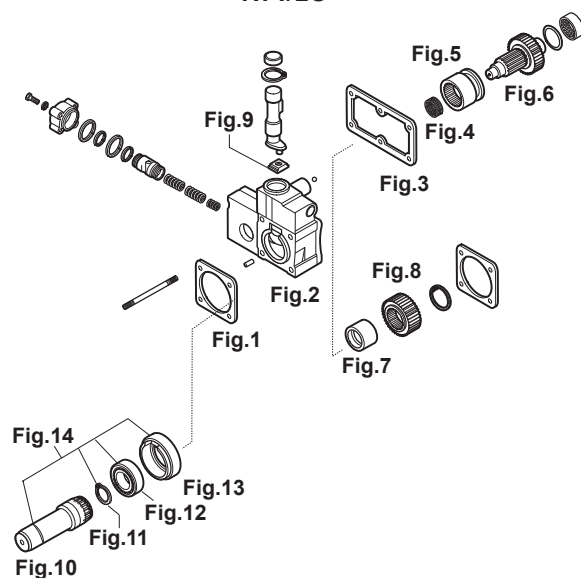
Fig.	Our No.	Part No.	TP	Description	Note
1		1240 217 091		HOUSING	
2	95531593	1238 308 201	●	GASKET	
3		1313 317 001		GASKET	
4		0735 320 120		NEEDLE BEARING 16X22X16	
5	95530892	1240 317 075		SLIDING SLEEVE	
6		1240 317 004		SHAFT PTO 29 T	
7		0635 303 108		BUSH	
8	95532743	1238 317 016		GEAR PTO 22 T	
9		0635 332 034		BEARING 40X80X18	
10		0630 503 010		LOCK RING	
11	95531593	1238 308 201	●	GASKET	
12		1238 309 067		COVER	
13	<i>95570130</i>	0630 502 039	NSS	ELASTIC RING	
14	<i>95532409</i>	0734 319 046	■	OIL SEAL 55X80X8	
15		1296 213 003		FLANGE	
16	<i>95570120</i>	1238 310 015	NSS	WASHER	
17		0634 306 234		O-RING 32X2,5	
18	95570118	1238 317 058		SLIDE	
19	95570378	1297 203 005		SHAFT P.T.O. 12 T.	
20	95570191	0630 531 055		SEEGER RING T.1,50 MM	
21	98530103	0635 331 390	●	BEARING 45X75X16	
22	95531058	1295 338 083		BUSH	
23	95570017	1295 142 011		REPAIR KIT	
24		1204 317 015		SHAFT	

Fig.	Our No.	Part No.	TP	Description	Note
1	95531593	1238 308 201	●	GASKET	
2		1240 217 091		HOUSING	
3		1313 317 001		GASKET	
4		0735 320 120		NEEDLE BEARING 16X22X16	
5	95530892	1240 317 075		SLIDING SLEEVE	
6		1240 317 004		SHAFT PTO 29 T	
7		0730 361 003		BUSH	
8	95532743	1238 317 016		GEAR PTO 22 T	
9	95570118	1238 317 058		SLIDE	
10	95570378	1297 203 005		SHAFT P.T.O. 12 T.	
11	95570191	0630 531 055		SEEGER RING T.1,50 MM	
12	98530103	0635 331 390	●	BEARING 45X75X16	
13	95531058	1295 338 083		BUSH	
14	95570017	1295 142 011		REPAIR KIT	

N71/2B



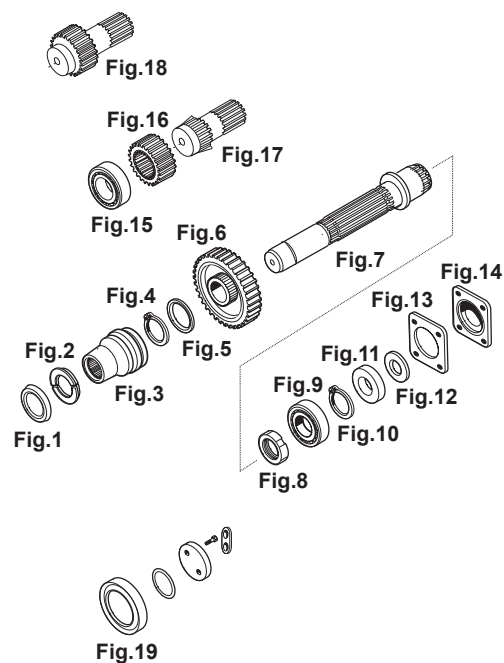
N71/2C



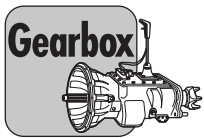
16S221 P.T.O. (Power Take Off)

Fig.	Our No.	Part No.	TP	Description	Note
1		1296 313 131		RING	
2		0730 104 627		RING	
3		1296 313 238		SLEEVE	
4		0630 531 133		LOCK RING	
5		0730 104 628		WASHER	
6		1296 313 082		GEAR 33 T	(A)
6		1296 313 083		GEAR 36 T	(B)
6		1296 313 084		GEAR 38 T	(C)
6		1296 313 085		GEAR 39 T	(D)
6		1296 313 086		GEAR 46 T	(E)
7	95531016	1296 213 028		INPUT SHAFT 12/18 T	
8		1296 313 125		RING	
9		0735 410 139		BEARING 40X80X23	
10		0630 531 314		SEEGER RING T.2,40 MM	
10		0630 531 315		SEEGER RING T.2,30 MM	
10		0630 501 135		SEEGER RING T.2,10 MM	
10		0630 531 049		SEEGER RING T.2,00 MM	
11		7429 032 102		RING	
12		1232 304 056		SHIM 1,60 MM	
12		1232 304 054		SHIM 1,40 MM	
12		1232 304 066		SHIM 1,20 MM	
12		1232 304 062		SHIM 1,00 MM	
13		0501 315 727		GASKET	
14		1250 313 190		COVER	
15		0635 416 308		BEARING	
16		1296 313 007		GEAR 27 T	(A)
16		1296 313 008		GEAR 24 T	(B)
17		1296 313 019		SHAFT	(AB)
18		1296 313 003		SHAFT 22 T.	(C)
18		1296 313 004		SHAFT 21 T.	(D)
18		1296 313 005		SHAFT 22 T.	(E)
19	95532542	0750 111 341	●	OIL SEAL 105X130X12	

N151



(A-B-C-D-E) To be used together.

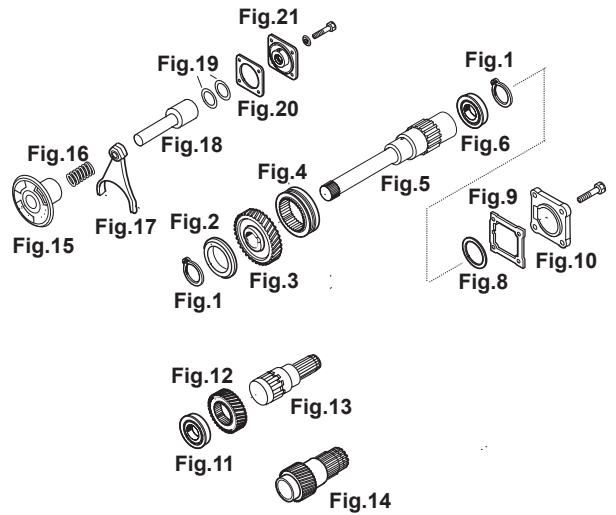


GEARBOX: 16S221

16S221 P.T.O. (Power Take Off)

Fig.	Our No.	Part No.	TP	Description	Note
1		0730 501 275		SEEGER RING T.2,40 MM	
1		0730 501 372		SEEGER RING T.2,20 MM	
2		0730 101 140		WASHER	
3		1315 213 006		GEAR Z 37	
3		1315 213 005		GEAR Z 40	
3		1315 213 004		GEAR Z 44	
3		1315 213 003		GEAR Z 46	
4		1311 313 017		SLIDING SLEEVE	
5	95534144	1315 213 012	■	SHAFT P.T.O	
6		0735 410 139		BEARING 40X80X23	
8		0730 062 547		WASHER S.4,40 MM	
8		0730 060 893		WASHER S.3,60 MM	
9		0501 315 727		GASKET	
10		1250 313 190		COVER	
11	98530341	0635 373 021	■	BEARING 45X85X24,75	
12		1315 313 029		GEAR Z 30	
12		1315 313 028		GEAR Z 27	
13		1315 313 038		SHAFT P.T.O	
14		1315 313 025		SHAFT 23 T.	
14		1315 313 024		SHAFT 21 T.	
15		1315 313 077		COVER	
16		0732 041 323		PRESSURE SPRING	
17		1315 313 031		FORK	
18		1315 313 048		PISTON	
19		0634 316 248		O-RING	
20		0501 315 728		GASKET	
21		1315 313 049		COVER	

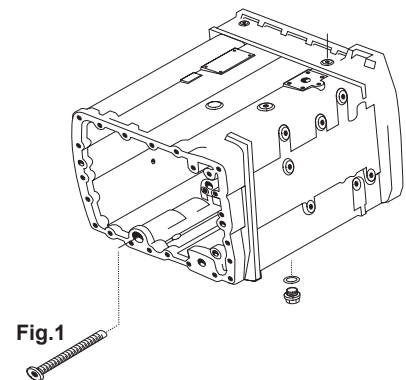
N 221



(A-B-C-D) To be used together.

16S221 Miscellaneous

Fig.	Our No.	Part No.	TP	Description	Note
1		0501 317 403		OIL FILTER	



16S221 REPAIR KIT

Fig.	Our No.	Part No.	TP	Description	Q.ty
	95532576	*****	■	REPAIR KIT	
1	95532566	0734 319 459	■	OIL SEAL 105X125X12/9,5	1 pc.
2	95532569	0634 313 656	NSS	O-RING 240X3	1 pc.
3	95532572	0634 313 017	NSS	O-RING 27X3	1 pc.
4	95532571	0634 313 568	NSS	O-RING 63X3	1 pc.
5	95532570	0634 313 056	NSS	O-RING 37X3	4 pcs.
6	95532575	0634 316 159	NSS	O-RING 7X2	1 pc.
7	95532565	0501 315 048	■	GASKET	1 pc.
8	95532567	0501 313 642	NSS	GASKET	1 pc.
9	95532573	0501 314 434	■	GASKET	1 pc.
10	95532568	0734 401 251	NSS	SEAL RING 65,1X70X3,5	2 pcs.
11	95532574	0634 316 510	NSS	O-RING 80X3	2 pcs.

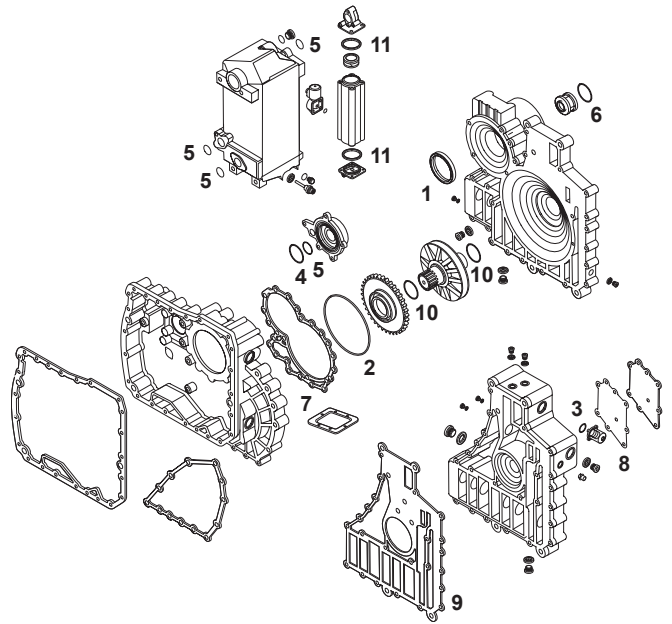


Fig.	Our No.	Part No.	TP	Description	Q.ty
	95532577	6085 298 013	■	REPAIR KIT	
		0734 319 068		SEAL RING 105X125X12/9,5	1 pc.
	95532566	0734 319 459	■	OIL SEAL 105X125X12/9,5	1 pc.
		0634 801 256		SEAL RING 26X31	4 pcs.
		0634 801 212		SEAL RING 10X13,5	1 pc.
	95534377	0730 008 637	●	SEAL RING 24X29	5 pcs.
		0634 801 037		SEAL RING 14X18	1 pc.
		0634 801 073		SEAL RING 22X27	2 pcs.
	95532484	0634 801 028	NSS	SEAL RING 12X16	3 pcs.
		0634 801 200		SEAL RING 24X29	1 pc.
		0634 801 329		SEAL RING 48X55	1 pc.
	95531964	0634 801 246	NSS	RING 12X15,5	1 pc.
		0634 801 281		O-RING 16X20	1 pc.
		0634 801 044		SPACER 16X20 DIN7603	1 pc.
	95532569	0634 313 656	NSS	O-RING 240X3	1 pc.
		0634 313 067		O-RING 70X3	1 pc.
	95532572	0634 313 017	NSS	O-RING 27X3	1 pc.
		0634 313 382		O-RING 13X2,5	1 pc.
	95532571	0634 313 568	NSS	O-RING 63X3	1 pc.
	95532570	0634 313 056	NSS	O-RING 37X3	4 pcs.
		0634 313 028		O-RING 7,65X1,78	2 pcs.

Fig.	Our No.	Part No.	TP	Description	Q.ty
	95532575	0634 316 159	NSS	O-RING 7X2	1 pc.
		0634 313 657		O-RING 78X3	1 pc.
	95532565	0501 315 048	■	GASKET	1 pc.
	95532567	0501 313 642	NSS	GASKET	1 pc.
	95532573	0501 314 434	■	GASKET	1 pc.
	95531584	1290 301 140	●	GASKET	1 pc.
	95532480	1315 301 234	NSS	SHEET GASKET	1 pc.
	95534420	1315 301 095	●	INTARDER GASKET	2 pcs.
	95532568	0734 401 251	NSS	SEAL RING 65,1X70X3,5	2 pcs.
		0634 307 820		RING	1 pc.
		0734 317 209		GASKET 68X80X8,5	1 pc.
	95532574	0634 316 510	NSS	O-RING 80X3	2 pcs.
		0634 801 155		SEAL RING 18X22	4 pcs.

95532577
6085 298 013

Repair Kit

