



5M OTOMOTİV SAN. TİC. A.Ş.



# 2017 Caliper Repair Kits Catalogue

*“Kusursuz Fren Teknolojileri”*

*“Excellent Brake Technologies”*

as vectors, overlapping vector outlines will not fill correctly, and, some textures will not tile smoothly.

ounding box around moving objects if the objects are in front of a colored background  
via Flash player. All cropped objects are exported to the .SWF format as bitmaps.

composition to SWF that contains vector files (AI and EPS), the following issues should be considered:

will be set to rounded on export to SWF. To retain angled/beveled line joints or square/butt caps,

for object on export. You can do this in the Export palette by creating an Object Setting for the vector file and checking the Rasterize option

export as a bitmap instead of a vector.



5M OTOMOTİV SAN. TİC. A.Ş.

[www.5mautomotive.com.tr](http://www.5mautomotive.com.tr)





5M OTOMOTİV SAN. TİC. A.Ş.

[www.5mautomotive.com.tr](http://www.5mautomotive.com.tr)



5M OTOMOTİV SAN. TİC. A.Ş.

15  
years

## ÖNSÖZ

2002 yılında faaliyete başlayan 5M Otomotiv Sanayi, ağır ticari araçlar için havalı fren, süspansiyon, debriyaj sistemi parçaları ve kaliper tamir takımları üretimi yapmaktadır. Konusunda deneyimli personel ve yan sanayileri bulunduran firmamız, müşteri odaklı çalışmayı benimseyen, teknolojiyi takip eden, siz değerli müşterilerinden aldığı destekle üretiminin %85' ini dünyanın 48 ülkesine ihraç etmektedir.

Kaliteli ve bilinçli ürün üreten firmamız, ürün yelpazesini her geçen gün arttırmaktadır ve verdiğiniz desteklerle, her zaman yanınızda olmaya devam edecektir. Önemli olan; bir ürün üretebilmek değil, ürettiğiniz ürünün arkasında gururla durabilmektir. 5M Otomotiv Sanayi olarak biz bu gururu fazlasıyla yaşamaktayız.

Kuruluşundan itibaren geçen süreç içerisinde firmamıza ve ürünlerimize göstermiş olduğunuz ilgi için teşekkür ederiz.

**5M OTOMOTİV SANAYİ VE TİCARET A.Ş.**

## PREAMBLE

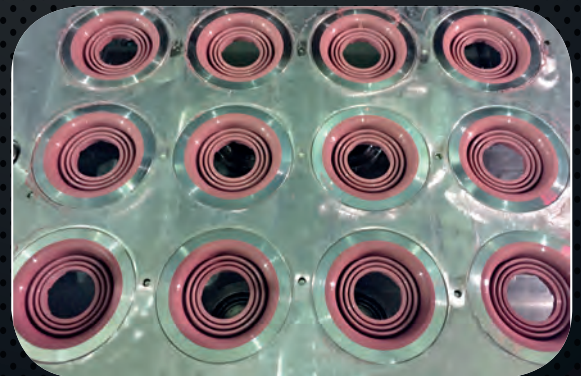
5M AUTOMOTIVE is a manufacturer and exporter company for air brake, clutch servo, suspension systems and caliper repair kits for heavy commercial vehicles since 2002. 5M has equipped the latest technology, professional suppliers and experienced staff to ensure total customer satisfaction. As a result of that we sell our products to 48 countries all over the world and %85 for export market.

5M is globally announced as a leader company in this sector that having reliable and high qualified products. Our production range is getting wider day by day to serve our customers the cutting-edge technology. Beside of being a well-known brand name, we rely on our quality and stand behind our products with proudly.

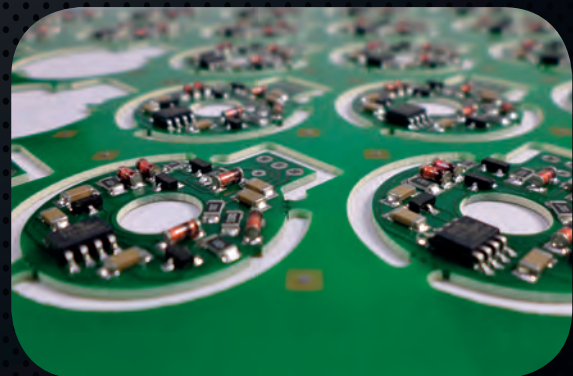
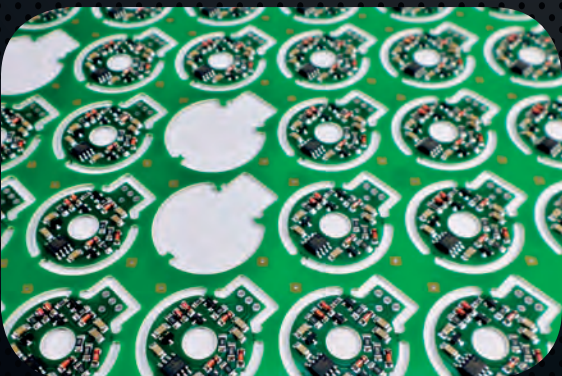
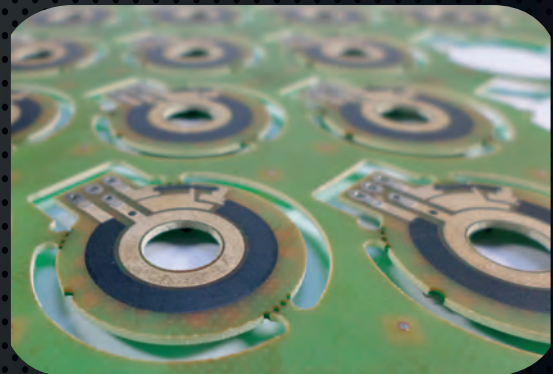
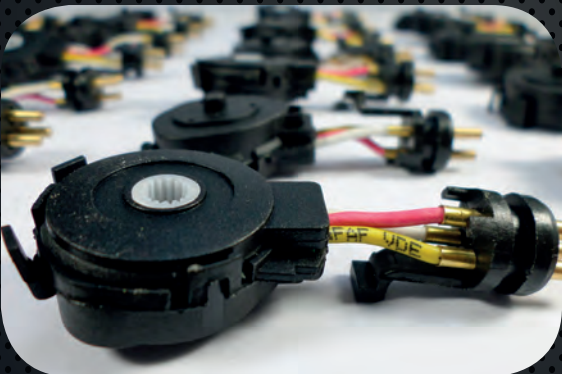
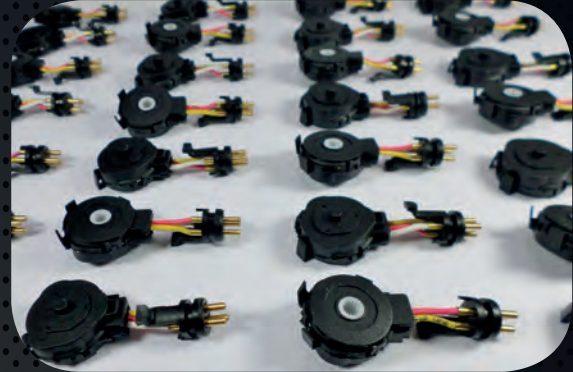
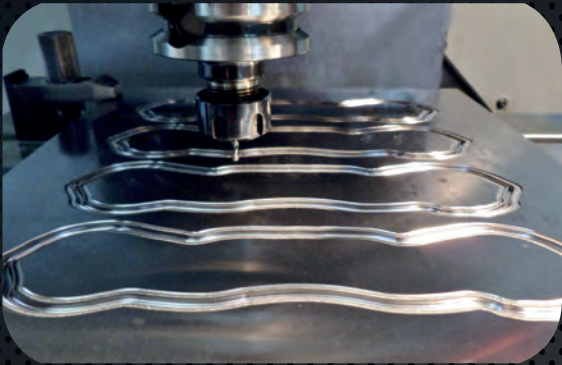
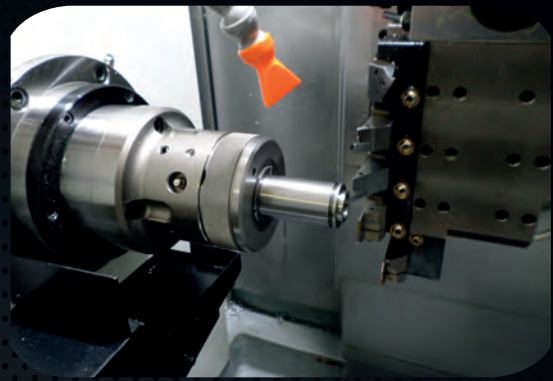
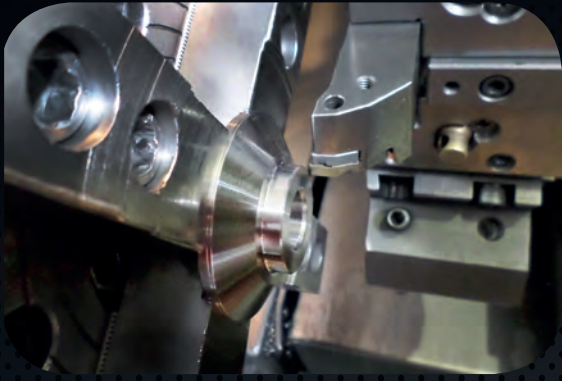
5M thanks to all the costumers for consideration and interest since established.

**5M AUTOMOTIVE CO.**

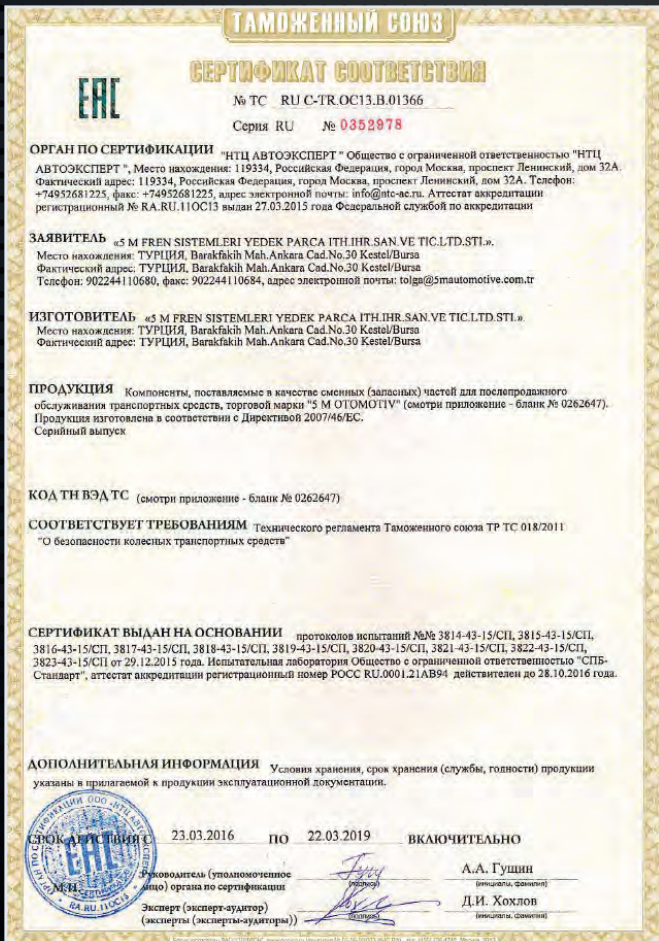
















**KALİPER SENSÖRÜ TEST CİHAZI**  
**CALIPER SENSOR TEST DEVICE**  
**9220.002.0**



**KALİPER SÖKME - TAKMA ÇANTASI**  
**DISASSEMBLY - ASSY BAG OF CALIPER**  
**9202.000.0**



3D ÖLÇÜM CİHAZI  
3D MEASUREMENT DEVICE (CMM)



SERTLİK ÖLÇME CİHAZI  
HARDNESS MEASUREMENT DEVICE



# INDEX / İÇİNDEKİLER

KNORR TİPİ TAMİR TAKIMLARI	9
MERITOR TİPİ TAMİR TAKIMLARI	78
WABCO TİPİ TAMİR TAKIMLARI	166
BPW TİPİ TAMİR TAKIMLARI	197
HALDEX TİPİ TAMİR TAKIMLARI	206
IVECO TİPİ TAMİR TAKIMLARI	216
Z-CAM TİPİ TAMİR TAKIMLARI	228
SAF TİPİ TAMİR TAKIMLARI	235
CALIPER CARRIER TİPİ TAMİR TAKIMLARI	241



# INDEX

5M NO	SAYFANO
9201.001.5	9
9201.002.5	10
9201.003.5	50
9201.004.5	56
9201.005.5	44
9201.006.5	51
9201.007.5	49
9201.008.5	68
9201.009.5	68
9201.010.5	45
9201.011.5	45
9201.012.5	68
9201.013.5	46
9201.014.5	47
9201.015.5	48
9201.016.5	55
9201.017.5	54
9201.026.5	68
9201.028.5	52
9201.029.5	25
9201.030.5	16
9201.033.5	22
9201.034.5	22
9201.035.5	21
9201.036.5	17
9201.037.5	16
9201.038.5	18
9201.039.5	43
9201.040.5	26
9201.041.5	26
9201.042.5	27
9201.043.5	26
9201.044.5	52
9201.045.5	43
9201.046.5	53
9201.047.5	11
9201.048.5	9
9201.049.5	10
9201.050.5	69
9201.051.5	9
9201.052.5	9
9201.055.5	63
9201.056.5	63
9201.057.5	62
9201.062.5	24
9201.063.5	25
9201.064.5	22
9201.065.5	23
9201.066.5	24
9201.067.5	13
9201.068.5	14
9201.069.5	15
9201.070.5	12
9201.071.5	67
9201.072.5	15
9201.073.5	32
9201.074.5	24
9201.075.5	20
9201.076.5	21
9201.077.5	55

5M NO	SAYFANO
9201.078.5	67
9201.079.5	11
9201.081.5	23
9201.082.5	27
9201.083.5	13
9201.084.5	70
9201.085.5	20
9201.086.5	69
9201.087.5	74
9201.088.5	49
9201.089.5	57
9201.090.5	28
9201.091.5	28
9201.092.5	28
9201.093.5	15
9201.094.5	33
9201.095.5	35
9201.096.5	35
9201.097.5	28
9201.098.5	29
9201.099.5	29
9201.100.5	30
9201.101.5	30
9201.102.5	30
9201.103.5	29
9201.104.5	29
9201.105.5	30
9201.106.5	75
9201.107.5	75
9201.108.5	9
9201.109.5	10
9201.110.5	11
9201.111.5	10
9201.112.5	12
9201.113.5	12
9201.114.5	12
9201.115.5	13
9201.116.5	13
9201.117.5	14
9201.118.5	14
9201.119.5	14
9201.120.5	15
9201.121.5	16
9201.122.5	17
9201.123.5	17
9201.124.5	17
9201.125.5	18
9201.126.5	18
9201.127.5	18
9201.128.5	19
9201.129.5	19
9201.130.5	19
9201.131.5	19
9201.132.5	20
9201.133.5	20
9201.134.5	21
9201.135.5	23
9201.136.5	23
9201.137.5	25
9201.138.5	27

5M NO	SAYFANO
9201.139.5	27
9201.140.5	31
9201.141.5	31
9201.142.5	31
9201.143.5	32
9201.144.5	32
9201.145.5	32
9201.146.5	33
9201.147.5	33
9201.148.5	34
9201.149.5	34
9201.150.5	34
9201.151.5	35
9201.152.5	36
9201.153.5	36
9201.154.5	36
9201.155.5	37
9201.156.5	39
9201.157.5	40
9201.158.5	40
9201.159.5	41
9201.160.5	41
9201.161.5	42
9201.162.5	42
9201.163.5	44
9201.164.5	44
9201.165.5	45
9201.166.5	46
9201.167.5	46
9201.168.5	47
9201.169.5	47
9201.170.5	48
9201.171.5	48
9201.172.5	49
9201.173.5	50
9201.174.5	51
9201.175.5	51
9201.176.5	52
9201.177.5	53
9201.178.5	53
9201.179.5	54
9201.180.5	54
9201.181.5	55
9201.182.5	56
9201.183.5	56
9201.184.5	57
9201.185.5	57
9201.186.5	58
9201.187.5	58
9201.188.5	58
9201.189.5	59
9201.190.5	59
9201.191.5	59
9201.192.5	60
9201.193.5	60
9201.194.5	60
9201.195.5	61
9201.196.5	61
9201.197.5	61
9201.198.5	62

5M NO	SAYFANO
9201.199.5	62
9201.200.5	63
9201.201.5	63
9201.202.5	64
9201.203.5	64
9201.204.5	64
9201.205.5	64
9201.206.5	65
9201.207.5	65
9201.208.5	65
9201.209.5	65
9201.210.5	66
9201.211.5	66
9201.212.5	66
9201.213.5	66
9201.214.5	67
9201.215.5	67
9201.216.5	69
9201.217.5	69
9201.218.5	70
9201.219.5	70
9201.220.5	70
9201.221.5	71
9201.222.5	71
9201.223.5	71
9201.224.5	71
9201.225.5	72
9201.226.5	72
9201.227.5	72
9201.228.5	72
9201.229.5	73
9201.230.5	73
9201.231.5	73
9201.232.5	73
9201.233.5	74
9201.234.5	74
9201.235.5	74
9201.236.5	75
9201.237.5	16
9201.239.5	25
9201.240.5	31
9201.241.5	38
9201.242.5	43
9201.243.5	50
9201.244.5	21
9201.245.5	24
9201.246.5	11
9201.247.5	22
9201.248.5	26
9202.001.5	144
9202.002.5	146
9202.003.5	143
9202.004.5	152
9202.005.5	150
9202.006.5	150
9202.007.5	145
9202.008.5	119
9202.009.5	119
9202.010.5	118
9202.011.5	141

5M NO	SAYFANO
9202.012.5	140
9202.013.5	141
9202.014.5	141
9202.015.5	139
9202.018.5	128
9202.019.5	128
9202.020.5	80
9202.021.5	120
9202.022.5	119
9202.023.5	139
9202.024.5	162
9202.025.5	142
9202.026.5	148
9202.034.5	158
9202.035.5	150
9202.036.5	129
9202.037.5	147
9202.038.5	143
9202.039.5	147
9202.040.5	131
9202.041.5	130
9202.042.5	138
9202.043.5	147
9202.044.5	134
9202.047.5	153
9202.048.5	137
9202.049.5	152
9202.051.5	134
9202.052.5	127
9202.053.5	127
9202.061.5	139
9202.062.5	117
9202.063.5	134
9202.070.5	145
9202.071.5	143
9202.072.5	117
9202.073.5	116
9202.074.5	118
9202.075.5	134
9202.076.5	154
9202.077.5	135
9202.080.5	146
9202.081.5	117
9202.082.5	117
9202.086.5	131
9202.087.5	131
9202.088.5	124
9202.089.5	124
9202.090.5	116
9202.092.5	138
9202.098.5	125
9202.099.5	126
9202.102.5	156
9202.103.5	156
9202.104.5	80
9202.106.5	148
9202.112.5	126
9202.113.5	127
9202.116.5	78
9202.117.5	78

5M NO	SAYFANO
9202.118.5	79
9202.119.5	79
9202.120.5	81
9202.121.5	81
9202.122.5	82
9202.123.5	82
9202.124.5	82
9202.125.5	83
9202.126.5	83
9202.127.5	83
9202.128.5	88
9202.129.5	88
9202.130.5	88
9202.131.5	88
9202.132.5	89
9202.133.5	89
9202.134.5	90
9202.135.5	90
9202.136.5	91
9202.137.5	91
9202.138.5	91
9202.139.5	92
9202.140.5	92
9202.141.5	93
9202.142.5	93
9202.143.5	94
9202.144.5	94
9202.145.5	94
9202.146.5	94
9202.147.5	95
9202.148.5	95
9202.149.5	95
9202.150.5	95
9202.151.5	96
9202.152.5	96
9202.153.5	96
9202.154.5	96
9202.155.5	97
9202.156.5	97
9202.157.5	97
9202.158.5	97
9202.159.5	98
9202.160.5	98
9202.161.5	98
9202.162.5	99
9202.163.5	99
9202.164.5	99
9202.165.5	100
9202.166.5	100
9202.167.5	100
9202.168.5	100
9202.169.5	101
9202.170.5	102
9202.171.5	103
9202.172.5	104
9202.173.5	105
9202.174.5	106
9202.175.5	107
9202.176.5	108
9202.177.5	109

5M NO	SAYFANO
9202.178.5	110
9202.179.5	111
9202.180.5	112
9202.181.5	113
9202.182.5	114
9202.183.5	115
9202.184.5	116
9202.185.5	116
9202.186.5	118
9202.187.5	118
9202.188.5	119
9202.189.5	120
9202.190.5	120
9202.191.5	120
9202.192.5	121
9202.193.5	121
9202.194.5	121
9202.195.5	121
9202.196.5	122
9202.197.5	122
9202.198.5	122
9202.199.5	122
9202.200.5	123
9202.201.5	123
9202.202.5	123
9202.203.5	123
9202.204.5	124
9202.205.5	124
9202.206.5	125
9202.207.5	125
9202.208.5	125
9202.209.5	126
9202.210.5	126
9202.211.5	127
9202.212.5	128
9202.213.5	128
9202.214.5	129
9202.215.5	129
9202.216.5	129
9202.217.5	130
9202.218.5	130
9202.219.5	130
9202.220.5	131
9202.221.5	132
9202.222.5	132
9202.223.5	132
9202.224.5	132
9202.225.5	133
9202.226.5	133
9202.227.5	133
9202.228.5	133
9202.229.5	135
9202.230.5	135
9202.231.5	135
9202.232.5	136
9202.233.5	136
9202.234.5	136
9202.235.5	136
9202.236.5	137
9202.237.5	137



5M NO	SAYFANO
9202.238.5	137
9202.239.5	138
9202.240.5	138
9202.241.5	139
9202.242.5	140
9202.243.5	140
9202.244.5	140
9202.245.5	142
9202.246.5	142
9202.247.5	144
9202.248.5	144
9202.249.5	145
9202.250.5	146
9202.251.5	148
9202.252.5	148
9202.253.5	149
9202.254.5	149
9202.255.5	149
9202.256.5	149
9202.257.5	150
9202.258.5	151
9202.259.5	151
9202.260.5	151
9202.261.5	151
9202.262.5	152
9202.263.5	152
9202.264.5	153
9202.265.5	153
9202.266.5	153
9202.267.5	154
9202.268.5	154
9202.269.5	154
9202.270.5	155
9202.271.5	155
9202.272.5	155
9202.273.5	155
9202.274.5	156
9202.275.5	156
9202.276.5	157
9202.277.5	157
9202.278.5	157
9202.279.5	157
9202.280.5	158
9202.281.5	158
9202.282.5	158
9202.283.5	159
9202.284.5	159
9202.285.5	159
9202.286.5	159
9202.287.5	160
9202.288.5	160
9202.289.5	160
9202.290.5	160
9202.291.5	161
9202.292.5	161
9202.293.5	161
9202.294.5	161
9202.295.5	162
9202.296.5	162
9202.297.5	162

5M NO	SAYFANO
9202.298.5	163
9202.299.5	163
9202.300.5	163
9202.301.5	163
9202.302.5	84
9202.303.5	84
9202.304.5	85
9202.305.5	85
9202.306.5	86
9202.307.5	86
9202.308.5	86
9202.309.5	86
9202.310.5	87
9202.311.5	87
9202.312.5	87
9202.313.5	87
9203.001.5	187
9203.002.5	180
9203.003.5	179
9203.004.5	187
9203.005.5	187
9203.006.5	178
9203.007.5	179
9203.008.5	178
9203.013.5	190
9203.014.5	190
9203.015.5	171
9203.016.5	171
9203.017.5	171
9203.018.5	169
9203.019.5	170
9203.020.5	172
9203.022.5	181
9203.023.5	183
9203.026.5	176
9203.027.5	184
9203.028.5	182
9203.032.5	191
9203.033.5	191
9203.034.5	191
9203.035.5	191
9203.036.5	172
9203.037.5	166
9203.038.5	166
9203.039.5	166
9203.040.5	166
9203.041.5	167
9203.042.5	167
9203.043.5	167
9203.044.5	167
9203.045.5	168
9203.046.5	168
9203.047.5	169
9203.048.5	169
9203.049.5	170
9203.050.5	170
9203.051.5	172
9203.052.5	173
9203.053.5	173
9203.054.5	174

5M NO	SAYFANO
9203.055.5	175
9203.056.5	175
9203.057.5	176
9203.058.5	177
9203.059.5	177
9203.060.5	178
9203.061.5	179
9203.062.5	180
9203.063.5	180
9203.064.5	181
9203.065.5	181
9203.066.5	181
9203.067.5	182
9203.068.5	182
9203.069.5	182
9203.070.5	183
9203.071.5	183
9203.072.5	184
9203.073.5	184
9203.074.5	185
9203.075.5	185
9203.076.5	185
9203.077.5	186
9203.078.5	188
9203.079.5	188
9203.080.5	188
9203.081.5	189
9203.082.5	189
9203.083.5	189
9203.084.5	189
9203.085.5	190
9203.086.5	192
9203.087.5	192
9203.088.5	192
9203.089.5	192
9203.090.5	194
9203.091.5	194
9203.092.5	194
9203.093.5	195
9203.094.5	195
9203.095.5	195
9203.096.5	193
9203.097.5	193
9203.098.5	193
9203.099.5	193
9203.100.5	190
9203.101.5	168
9203.102.5	186
9203.103.5	186
9203.104.5	194
9203.105.5	195
9204.001.5	197
9204.002.5	198
9204.003.5	199
9204.004.5	199
9204.005.5	200
9204.006.5	201
9204.007.5	201
9204.008.5	201
9204.009.5	201

5M NO	SAYFANO
9204.010.5	202
9204.011.5	202
9204.012.5	202
9204.013.5	203
9204.014.5	203
9204.015.5	203
9204.016.5	204
9204.017.5	204
9204.018.5	204
9204.020.5	198
9204.021.5	198
9204.022.5	197
9204.023.5	197
9204.024.5	202
9204.025.5	203
9204.026.5	199
9204.027.5	200
9204.028.5	200
9204.029.5	200
9204.030.5	197
9205.001.5	211
9205.002.5	206
9205.003.5	206
9205.004.5	206
9205.005.5	207
9205.006.5	207
9205.007.5	207
9205.008.5	208
9205.009.5	208
9205.010.5	208
9205.011.5	208
9205.012.5	209
9205.013.5	209
9205.014.5	209
9205.015.5	209
9205.016.5	210
9205.017.5	210
9205.018.5	210
9205.019.5	210
9205.020.5	211
9205.021.5	211
9205.022.5	211
9205.023.5	212
9205.024.5	212
9205.025.5	213
9205.026.5	213
9205.027.5	212
9205.028.5	207
9206.001.5	216
9206.002.5	216
9206.003.5	216
9206.004.5	216
9206.005.5	217
9206.006.5	217
9206.007.5	217
9206.008.5	218
9206.009.5	218
9206.010.5	218
9206.011.5	219
9206.012.5	219





FOR KNORR TYPE



# FOR KNORR TYPE



<b>5M Nr.</b> 5M No.	9201.052.5	
<b>ORG. REF. NO</b>		
<b>APPLICATION</b> Uygulama	SN 6., SN 7., SK...	
<b>DESCRIPTION</b> Açıklama	CALIPER TAPPET REPAIR KIT İTİCİ KOL TAKIMI (69 mm)	
<b>1</b>	TAPPET AND BOOT (69mm)	
<b>2</b>	BUSH (18x16x10)	



<b>5M Nr.</b> 5M No.	9201.108.5	
<b>ORG. REF. NO</b>		
<b>APPLICATION</b> Uygulama	SN 6., SN 7., SK...	
<b>DESCRIPTION</b> Açıklama	CALIPER TAPPET REPAIR KIT İTİCİ KOL TAKIMI (69 mm)	
<b>1</b>	Tappet and Boot (69mm)	<b>3</b> Bush (18x16x10)
<b>2</b>	Dust Cover	



<b>5M Nr.</b> 5M No.	9201.001.5	
<b>ORG. REF. NO</b>	K001300 - K010603 - K000366 - 1689313 - 81508226031 - 0004204982 - 1756389 - 0004202382	
<b>APPLICATION</b> Uygulama	SN 6., SN 7., SK...	
<b>DESCRIPTION</b> Açıklama	CALIPER TAPPET REPAIR KIT İTİCİ KOL TAKIMI (69 mm)	
<b>1</b>	TAPPET AND BOOT (69 mm)	<b>3</b> BUSH (18x16x10)
<b>2</b>	DUST COVER	



<b>5M Nr.</b> 5M No.	9201.051.5	
<b>ORG. REF. NO</b>		
<b>APPLICATION</b> Uygulama	SN 6., SN 7., SK...	
<b>DESCRIPTION</b> Açıklama	CALIPER TAPPET REPAIR KIT İTİCİ KOL TAKIMI (69 mm)	
<b>1</b>	TAPPET AND BOOT (69 mm)	
<b>2</b>	BUSH (18x16x10)	



<b>5M Nr.</b> 5M No.	9201.048.5	
<b>ORG. REF. NO</b>	I1370760065 - A0004201382	
<b>APPLICATION</b> Uygulama	SB5...	
<b>DESCRIPTION</b> Açıklama	CALIPER TAPPET REPAIR KIT İTİCİ KOL TAKIMI (74 mm)	
<b>1</b>	TAPPET AND BOOT (74 mm)	
<b>2</b>	BUSH (18x16x10)	



# FOR KNORR TYPE



<b>5M Nr.</b> 5M No.	9201.109.5
<b>ORG. REF. NO</b>	
<b>APPLICATION</b> Uygulama	SB.5., SB 6., SB 7...
<b>DESCRIPTION</b> Açıklama	CALIPER TAPPET REPAIR KIT İTİCİ KOL TAKIMI (74 mm)
<b>1</b>	TAPPET AND BOOT (74 mm)
<b>2</b>	DUST COVER
<b>3</b>	BUSH (18x16x10)



<b>5M Nr.</b> 5M No.	9201.002.5
<b>ORG. REF. NO</b>	K000944 - K010604 - 81508226032 - 1759811
<b>APPLICATION</b> Uygulama	SB 6., SB 7...
<b>DESCRIPTION</b> Açıklama	CALIPER TAPPET REPAIR KIT İTİCİ KOL TAKIMI (74 mm)
<b>1</b>	TAPPET AND BOOT (74 mm)
<b>2</b>	DUST COVER
<b>3</b>	BUSH (18X16X10)



<b>5M Nr.</b> 5M No.	9201.049.5
<b>ORG. REF. NO</b>	II304130065 - 0004200682 - 81508226007 - 0004204248
<b>APPLICATION</b> Uygulama	SB 6., SB 7...
<b>DESCRIPTION</b> Açıklama	CALIPER TAPPET REPAIR KIT İTİCİ KOL TAKIMI (74 mm)
<b>1</b>	TAPPET AND BOOT (74 mm)
<b>2</b>	BUSH (18x16x10)



<b>5M Nr.</b> 5M No.	9201.111.5
<b>ORG. REF. NO</b>	
<b>APPLICATION</b> Uygulama	SL 7., SM 7...
<b>DESCRIPTION</b> Açıklama	CALIPER TAPPET REPAIR KIT İTİCİ KOL TAKIMI (69 mm)
<b>1</b>	TAPPET AND BOOT (69 mm)
<b>2</b>	DUST COVER
<b>3</b>	BUSH (17x15x7)



# FOR KNORR TYPE



<b>5M Nr.</b> 5M No.	9201.110.5
<b>ORG. REF. NO</b>	
<b>APPLICATION</b> Uygulama	SL 7..., SM 7...
<b>DESCRIPTION</b> Açıklama	CALIPER TAPPET REPAIR KIT İTİCİ KOL TAKIMI (69 mm)
<b>1</b>	TAPPET AND BOOT (69 mm)
<b>2</b>	BUSH (17x15x7)



<b>5M Nr.</b> 5M No.	9201.079.5
<b>ORG. REF. NO</b>	K046523K50
<b>APPLICATION</b> Uygulama	SL 7..., SM 7...
<b>DESCRIPTION</b> Açıklama	CALIPER TAPPET REPAIR KIT İTİCİ KOL TAKIMI (69 mm)
<b>1</b>	TAPPET AND BOOT (69 mm)
<b>2</b>	DUST COVER
<b>3</b>	BUSH (17x15x7)



<b>5M Nr.</b> 5M No.	9201.047.5
<b>ORG. REF. NO</b>	K001929 - 81508226027 - 0004204282
<b>APPLICATION</b> Uygulama	SN.5...
<b>DESCRIPTION</b> Açıklama	CALIPER TAPPET REPAIR KIT İTİCİ KOL TAKIMI (69 mm)
<b>1</b>	TAPPET AND BOOT (69 mm)
<b>2</b>	BUSH (18x16x10)



<b>5M Nr.</b> 5M No.	9201.246.5
<b>ORG. REF. NO</b>	K 001929
<b>APPLICATION</b> Uygulama	SN.5...
<b>DESCRIPTION</b> Açıklama	CALIPER REPAIR KIT KALİPER TAMİR TAKIMI
<b>1</b>	TAPPET AND BOOT (69 mm)
<b>2</b>	DUST COVER
<b>3</b>	BUSH (18x16x10)



# FOR KNORR TYPE



5M Nr. 5M No.	9201.112.5
ORG. REF. NO	
APPLICATION Uygulama	SN.5...
DESCRIPTION Açıklama	CALIPER TAPPET REPAIR KIT İTİCİ KOL TAKIMI (69 mm)
1	TAPPET AND BOOT (69 mm)
2	DUST COVER
3	BUSH (18x16x10)



5M Nr. 5M No.	9201.113.5
ORG. REF. NO	BUSES
APPLICATION Uygulama	SB 6..., SB 7...
DESCRIPTION Açıklama	CALIPER LEVER KALİPER KOL
1	LEVER



5M Nr. 5M No.	9201.114.5
ORG. REF. NO	
APPLICATION Uygulama	SB 7...
DESCRIPTION Açıklama	CALIPER LEVER KALİPER KOL
1	LEVER



5M Nr. 5M No.	9201.070.5
ORG. REF. NO	Z002962
APPLICATION Uygulama	SN 7...
DESCRIPTION Açıklama	CALIPER LEVER CALİPER LEVER
1	LEVER



# FOR KNORR TYPE



<b>5M Nr.</b> 5M No.	9201.115.5
<b>ORG. REF. NO</b>	Z002962
<b>APPLICATION</b> Uygulama	SN 7...
<b>DESCRIPTION</b> Açıklama	CALIPER LEVER KALİPER KOL
<b>1</b>	LEVER



<b>5M Nr.</b> 5M No.	9201.116.5
<b>ORG. REF. NO</b>	
<b>APPLICATION</b> Uygulama	SL 7..., SM 7...
<b>DESCRIPTION</b> Açıklama	CALIPER LEVER KALİPER KOL
<b>1</b>	LEVER



<b>5M Nr.</b> 5M No.	9201.067.5
<b>ORG. REF. NO</b>	
<b>APPLICATION</b> Uygulama	SN 6..., SK 7...
<b>DESCRIPTION</b> Açıklama	CALIPER LEVER KALİPER KOL
<b>1</b>	LEVER



<b>5M Nr.</b> 5M No.	9201.083.5
<b>ORG. REF. NO</b>	Z002881
<b>APPLICATION</b> Uygulama	SN 6..., SK 7...
<b>DESCRIPTION</b> Açıklama	CALIPER LEVER KALİPER KOL
<b>1</b>	LEVER



# FOR KNORR TYPE



<b>5M Nr.</b> 5M No.	9201.068.5
<b>ORG. REF. NO</b>	
<b>APPLICATION</b> Uygulama	SB 6..., SN 6...
<b>DESCRIPTION</b> Açıklama	CALIPER LEVER KALİPER KOL
<b>1</b>	LEVER



<b>5M Nr.</b> 5M No.	9201.117.5
<b>ORG. REF. NO</b>	
<b>APPLICATION</b> Uygulama	SB 7..., SN 7...
<b>DESCRIPTION</b> Açıklama	CALIPER LEVER KALİPER KOL
<b>1</b>	LEVER



<b>5M Nr.</b> 5M No.	9201.118.5
<b>ORG. REF. NO</b>	
<b>APPLICATION</b> Uygulama	SB 7..., SN 7...
<b>DESCRIPTION</b> Açıklama	CALIPER LEVER KALİPER KOL
<b>1</b>	LEVER



<b>5M Nr.</b> 5M No.	9201.119.5
<b>ORG. REF. NO</b>	
<b>APPLICATION</b> Uygulama	SB 6..., SB 7...
<b>DESCRIPTION</b> Açıklama	CALIPER LEVER KALİPER KOL
<b>1</b>	LEVER



# FOR KNORR TYPE



<b>5M Nr.</b> 5M No.	9201.069.5
<b>ORG. REF. NO</b>	
<b>APPLICATION</b> Uygulama	SN 6., SN 7., SK 7...
<b>DESCRIPTION</b> Açıklama	CALIPER LEVER KALİPER KOL
<b>1</b>	LEVER



<b>5M Nr.</b> 5M No.	9201.120.5
<b>ORG. REF. NO</b>	
<b>APPLICATION</b> Uygulama	SN.5...
<b>DESCRIPTION</b> Açıklama	CALIPER LEVER KALİPER KOL
<b>1</b>	LEVER



<b>5M Nr.</b> 5M No.	9201.093.5
<b>ORG. REF. NO</b>	
<b>APPLICATION</b> Uygulama	SB.5...
<b>DESCRIPTION</b> Açıklama	CALIPER LEVER KALİPER KOL
<b>1</b>	LEVER



<b>5M Nr.</b> 5M No.	9201.072.5
<b>ORG. REF. NO</b>	
<b>APPLICATION</b> Uygulama	SB 6., SB 7...
<b>DESCRIPTION</b> Açıklama	CALIPER BEARING REPAIR KIT KALİPER RULMANI TM.TK.
<b>1</b>	BEARING



# FOR KNORR TYPE



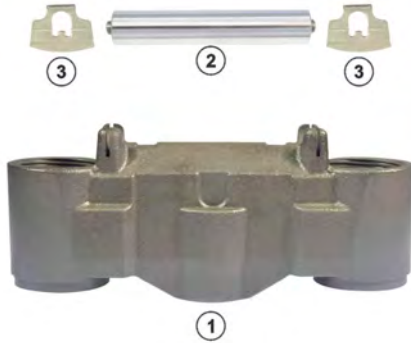
<b>5M Nr.</b> 5M No.	9201.030.5	
<b>ORG. REF. NO</b>		
<b>APPLICATION</b> Uygulama	SN 6..., SN 7..., SK 7...	
<b>DESCRIPTION</b> Açıklama	CALIPER BEARING REPAIR KIT KALİPER RULMANI TM.TK.	
<b>1</b>	BEARING	



<b>5M Nr.</b> 5M No.	9201.121.5	
<b>ORG. REF. NO</b>		
<b>APPLICATION</b> Uygulama	S5.5..., SN.5...	
<b>DESCRIPTION</b> Açıklama	CALIPER BEARING REPAIR KIT KALİPER RULMANI TM.TK.	
<b>1</b>	BEARING	

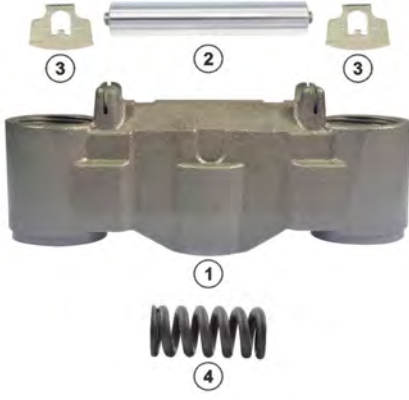


<b>5M Nr.</b> 5M No.	9201.237.5	
<b>ORG. REF. NO</b>		
<b>APPLICATION</b> Uygulama	SL 7..., SM 7...	
<b>DESCRIPTION</b> Açıklama	CALIPER BEARING REPAIR KIT KALİPER RULMANI TM.TK.	
<b>1</b>	BEARING	



<b>5M Nr.</b> 5M No.	9201.037.5	
<b>ORG. REF. NO</b>		
<b>APPLICATION</b> Uygulama	SN 6..., SN 7...	
<b>DESCRIPTION</b> Açıklama	CALIPER BRIDGE KALİPER KÖPRÜ TM.TK.	
<b>1</b>	BRIDGE	
<b>2</b>	LEVER PIN	
<b>3</b>	METAL SHEET	

# FOR KNORR TYPE



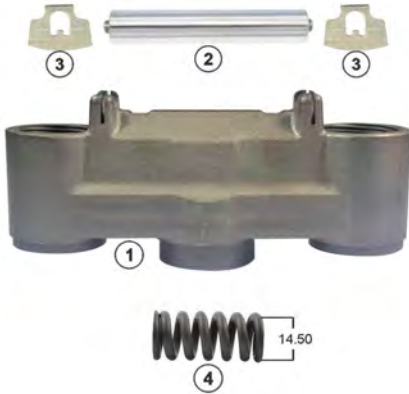
<b>5M Nr.</b> 5M No.	9201.122.5	
<b>ORG. REF. NO</b>		
<b>APPLICATION</b> Uygulama	SN 6..., SN 7...	
<b>DESCRIPTION</b> Açıklama	CALIPER BRIDGE KALİPER KÖPRÜ TM.TK.	
1	BRIDGE	
2	LEVER PIN	
3	METAL SHEET	
4	BRIDGE SPRING	



<b>5M Nr.</b> 5M No.	9201.123.5		
<b>ORG. REF. NO</b>			
<b>APPLICATION</b> Uygulama	SN 6..., SN 7..., SK...		
<b>DESCRIPTION</b> Açıklama	CALIPER BRIDGE ASSEMBLY KALİPER KÖPRÜ TM.TK.		
1	BRIDGE	5	BRIDGE SPRING
2	LEVER PIN	6	LEVER BEARING
3	METAL SHEET		
4	CALIBRATION BOLT 3 THREAD		

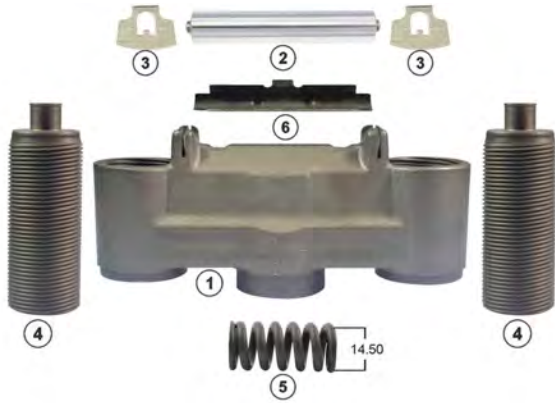


<b>5M Nr.</b> 5M No.	9201.036.5	
<b>ORG. REF. NO</b>		
<b>APPLICATION</b> Uygulama	SB 6..., SB 7...	
<b>DESCRIPTION</b> Açıklama	CALIPER BRIDGE KALİPER KÖPRÜ TM.TK.	
1	BRIDGE	
2	LEVER PIN	
3	METAL SHEET	

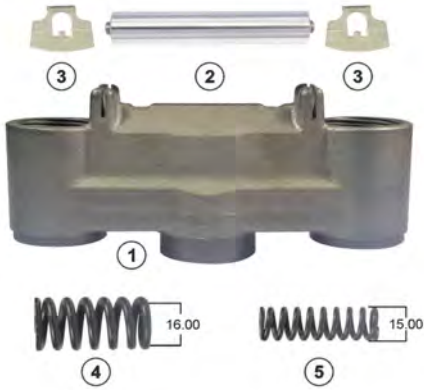


<b>5M Nr.</b> 5M No.	9201.124.5	
<b>ORG. REF. NO</b>		
<b>APPLICATION</b> Uygulama	SB 6..., SB 7...	
<b>DESCRIPTION</b> Açıklama	CALIPER BRIDGE KALİPER KÖPRÜ TM.TK.	
1	BRIDGE	
2	LEVER PIN	
3	METAL SHEET	
4	BRIDGE SPRING	

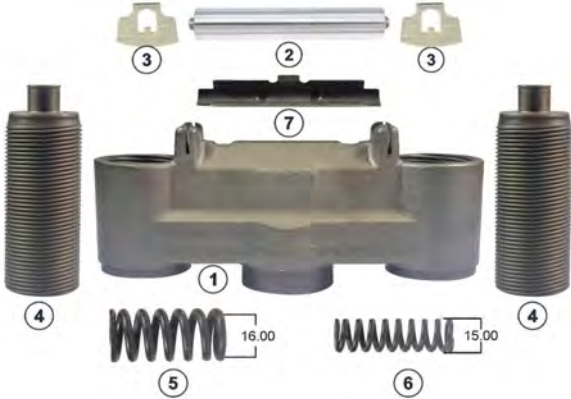
# FOR KNORR TYPE



<b>5M Nr.</b> 5M No.	9201.125.5	
<b>ORG. REF. NO</b>		
<b>APPLICATION</b> Uygulama	SB 6..., SB 7...	
<b>DESCRIPTION</b> Açıklama	CALIPER BRIDGE ASSEMBLY KALİPER KÖPRÜ TM.TK.	
<b>1</b>	BRIDGE	<b>5</b> BRIDGE SPRING
<b>2</b>	LEVER PIN	<b>6</b> LEVER BEARING
<b>3</b>	METAL SHEET	
<b>4</b>	CALIBRATION BOLT 3 THREAD	



<b>5M Nr.</b> 5M No.	9201.126.5	
<b>ORG. REF. NO</b>		
<b>APPLICATION</b> Uygulama	SB 7...	
<b>DESCRIPTION</b> Açıklama	CALIPER BRIDGE KALİPER KÖPRÜ TM.TK.	
<b>1</b>	BRIDGE	<b>5</b> BRIDGE SPRING
<b>2</b>	LEVER PIN	
<b>3</b>	METAL SHEET	
<b>4</b>	BRIDGE SPRING	



<b>5M Nr.</b> 5M No.	9201.127.5	
<b>ORG. REF. NO</b>		
<b>APPLICATION</b> Uygulama	SB 7...	
<b>DESCRIPTION</b> Açıklama	CALIPER BRIDGE ASSEMBLY KALİPER KÖPRÜ TM.TK.	
<b>1</b>	BRIDGE	<b>5</b> BRIDGE SPRING
<b>2</b>	LEVER PIN	<b>6</b> BRIDGE SPRING
<b>3</b>	METAL SHEET	<b>7</b> LEVER BEARING
<b>4</b>	CALIBRATION BOLT 3 THREAD	



<b>5M Nr.</b> 5M No.	9201.038.5	
<b>ORG. REF. NO</b>		
<b>APPLICATION</b> Uygulama	SB 6..., SN 6..., SN 7..., SK 7...	
<b>DESCRIPTION</b> Açıklama	CALIPER BRIDGE KALİPER KÖPRÜ TM.TK.	
<b>1</b>	BRIDGE	



# FOR KNORR TYPE



<b>5M Nr.</b> 5M No.	9201.128.5
<b>ORG. REF. NO</b>	
<b>APPLICATION</b> Uygulama	SB 6.., SN 6.., SN 7.., SK 7...
<b>DESCRIPTION</b> Açıklama	CALIPER BRIDGE KALİPER KÖPRÜ TM.TK.
1	BRIDGE
2	BRIDGE SPRING



<b>5M Nr.</b> 5M No.	9201.129.5
<b>ORG. REF. NO</b>	
<b>APPLICATION</b> Uygulama	SB 6.., SN 6.., SN 7.., SK 7...
<b>DESCRIPTION</b> Açıklama	CALIPER BRIDGE ASSEMBLY KALİPER KÖPRÜ TM.TK.
1	BRIDGE
2	CALIBRATION BOLT 3 THREAD
3	BRIDGE SPRING



<b>5M Nr.</b> 5M No.	9201.130.5
<b>ORG. REF. NO</b>	
<b>APPLICATION</b> Uygulama	SL 7.., SM 7..
<b>DESCRIPTION</b> Açıklama	CALIPER BRIDGE ASSEMBLY KALİPER KÖPRÜ TM.TK.
1	BRIDGE
2	CALIBRATION BOLT 3 THREAD
3	BRIDGE SPRING



<b>5M Nr.</b> 5M No.	9201.131.5
<b>ORG. REF. NO</b>	
<b>APPLICATION</b> Uygulama	SB.5...
<b>DESCRIPTION</b> Açıklama	CALIPER BRIDGE KALİPER KÖPRÜ TM.TK.
1	BRIDGE
2	CALIBRATION BOLT 3 THREAD
3	BRIDGE SPRING

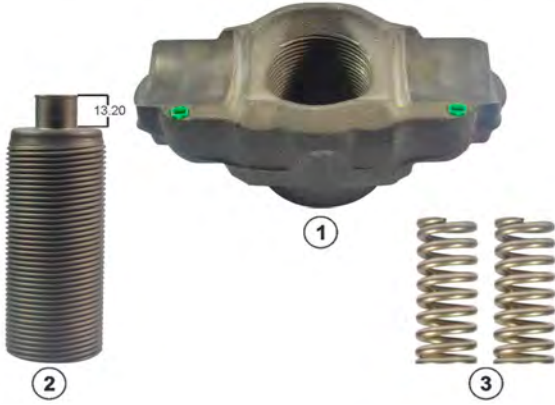
# FOR KNORR TYPE



<b>5M Nr.</b> 5M No.	9201.085.5
<b>ORG. REF. NO</b>	
<b>APPLICATION</b> Uygulama	SB.5...
<b>DESCRIPTION</b> Açıklama	CALIPER BRIDGE KALİPER KÖPRÜ TM.TK.
1	BRIDGE
2	BRIDGE SPRING



<b>5M Nr.</b> 5M No.	9201.075.5
<b>ORG. REF. NO</b>	
<b>APPLICATION</b> Uygulama	SB.5...
<b>DESCRIPTION</b> Açıklama	CALIPER BRIDGE KALİPER KÖPRÜ TM.TK.
1	BRIDGE



<b>5M Nr.</b> 5M No.	9201.132.5
<b>ORG. REF. NO</b>	
<b>APPLICATION</b> Uygulama	SN.5...
<b>DESCRIPTION</b> Açıklama	CALIPER BRIDGE KALİPER KÖPRÜ TM.TK.
1	BRIDGE
2	CALIBRATION BOLT 3 THREAD
3	BRIDGE SPRING



<b>5M Nr.</b> 5M No.	9201.133.5
<b>ORG. REF. NO</b>	
<b>APPLICATION</b> Uygulama	SN.5...
<b>DESCRIPTION</b> Açıklama	CALIPER BRIDGE KALİPER KÖPRÜ TM.TK.
1	BRIDGE
2	BRIDGE SPRING



# FOR KNORR TYPE



<b>5M Nr.</b> 5M No.	9201.076.5
<b>ORG. REF. NO</b>	
<b>APPLICATION</b> Uygulama	SN.5...
<b>DESCRIPTION</b> Açıklama	CALIPER BRIDGE KALİPER KÖPRÜ TM.TK.
<b>1</b>	BRIDGE



<b>5M Nr.</b> 5M No.	9201.035.5
<b>ORG. REF. NO</b>	
<b>APPLICATION</b> Uygulama	ALL SB., SN., SK...
<b>DESCRIPTION</b> Açıklama	CALIBRATION BOLT 3 THREAD KALİPER AYAR CİVATASI 3 AĞIZLI
<b>1</b>	CALIBRATION BOLT 3 THREAD



<b>5M Nr.</b> 5M No.	9201.134.5
<b>ORG. REF. NO</b>	
<b>APPLICATION</b> Uygulama	SL., SM...
<b>DESCRIPTION</b> Açıklama	CALIBRATION BOLT 3 THREAD KALİPER AYAR CİVATASI 3 AĞIZLI
<b>1</b>	CALIBRATION BOLT 3 THREAD



<b>5M Nr.</b> 5M No.	9201.244.5
<b>ORG. REF. NO</b>	-
<b>APPLICATION</b> Uygulama	ALL SB ..., SN..., SK
<b>DESCRIPTION</b> Açıklama	CALIBRATION BOLT 3 THREAD KALİPER AYAR CİVATASI 3 AĞIZLI
<b>1</b>	CALIBRATION BOLT 3 THREAD (2x)



# FOR KNORR TYPE



<b>5M Nr.</b> 5M No.	9201.033.5
<b>ORG. REF. NO</b>	
<b>APPLICATION</b> Uygulama	ALL SB..., SN..., SK..., SL..., SM...
<b>DESCRIPTION</b> Açıklama	CALIPER ADJUSTING MECHANISM. KALİPER AYAR MEKANİZMASI
<b>1</b>	ADJUSTING MECHANISM
<b>2</b>	MECHANISM GEAR
<b>3</b>	CALIBRATION LOAF



<b>5M Nr.</b> 5M No.	9201.247.5
<b>ORG. REF. NO</b>	-
<b>APPLICATION</b> Uygulama	SN 6..., SN 7...
<b>DESCRIPTION</b> Açıklama	CALIPER ADJUSTING MECHANISM KALİPER AYAR MEKANİZMASI
<b>1</b>	ADJUSTING MECHANISM



<b>5M Nr.</b> 5M No.	9201.064.5
<b>ORG. REF. NO</b>	
<b>APPLICATION</b> Uygulama	SB.5..., SN.5...
<b>DESCRIPTION</b> Açıklama	CALIPER ADJUSTING MECHANISM. KALİPER AYAR MEKANİZMASI
<b>1</b>	ADJUSTING MECHANISM
<b>2</b>	MECHANISM GEAR



<b>5M Nr.</b> 5M No.	9201.034.5
<b>ORG. REF. NO</b>	
<b>APPLICATION</b> Uygulama	SB 6..., SB 7..., SN 6..., SN 7..., SK 7...
<b>DESCRIPTION</b> Açıklama	CALIPER ADJUSTING MECHANISM. KALİPER AYAR MEKANİZMASI
<b>1</b>	ADJUSTING MECHANISM



# FOR KNORR TYPE



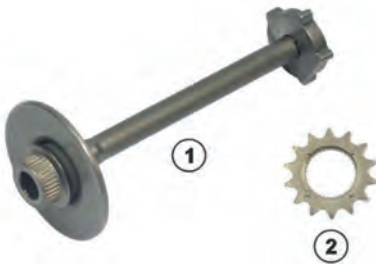
<b>5M Nr.</b> 5M No.	9201.135.5
<b>ORG. REF. NO</b>	
<b>APPLICATION</b> Uygulama	SB 6., SB 7., SN 6., SN 7., SK 7...
<b>DESCRIPTION</b> Açıklama	CALIPER ADJUSTING MECHANISM. KALİPER AYAR MEKANİZMASI
<b>1</b>	ADJUSTING MECHANISM



<b>5M Nr.</b> 5M No.	9201.065.5
<b>ORG. REF. NO</b>	
<b>APPLICATION</b> Uygulama	SN 6., SN 7., SK 7...
<b>DESCRIPTION</b> Açıklama	CALIPER ADJUSTING MECHANISM. KALİPER AYAR MEKANİZMASI
<b>1</b>	ADJUSTING MECHANISM



<b>5M Nr.</b> 5M No.	9201.081.5
<b>ORG. REF. NO</b>	
<b>APPLICATION</b> Uygulama	SN 6., SN 7., SK 7...
<b>DESCRIPTION</b> Açıklama	CALIPER ADJUSTING MECHANISM. KALİPER AYAR MEKANİZMASI
<b>1</b>	ADJUSTING MECHANISM



<b>5M Nr.</b> 5M No.	9201.136.5
<b>ORG. REF. NO</b>	
<b>APPLICATION</b> Uygulama	SN 6., SN 7., SK 7...
<b>DESCRIPTION</b> Açıklama	CALIPER ADJUSTING MECHANISM. KALİPER AYAR MEKANİZMASI
<b>1</b>	ADJUSTING MECHANISM
<b>2</b>	MECHANISM GEAR

# FOR KNORR TYPE



<b>5M Nr.</b> 5M No.	9201.074.5
<b>ORG. REF. NO</b>	
<b>APPLICATION</b> Uygulama	SB.5., SN.5...
<b>DESCRIPTION</b> Açıklama	CALIPER PINION SHAFT. KALİPER PİNYON DİŞLİSİ TM.TK.
<b>1</b>	PINION SHAFT
<b>2</b>	MECHANISM GEAR



<b>5M Nr.</b> 5M No.	9201.066.5
<b>ORG. REF. NO</b>	
<b>APPLICATION</b> Uygulama	SB.5., SN.5...
<b>DESCRIPTION</b> Açıklama	CALIPER PINION SHAFT. KALİPER PİNYON DİŞLİSİ TM.TK.
<b>1</b>	PINION SHAFT



<b>5M Nr.</b> 5M No.	9201.062.5
<b>ORG. REF. NO</b>	
<b>APPLICATION</b> Uygulama	ALL SB., SN., SK., SL., SM...
<b>DESCRIPTION</b> Açıklama	CALIPER MECHANISM GEAR. KALİPERN MEKANİZMA DİŞLİSİ
<b>1</b>	MECHANISM GEAR



<b>5M Nr.</b> 5M No.	9201.245.5
<b>ORG. REF. NO</b>	-
<b>APPLICATION</b> Uygulama	ALL SB ..., SN..., SK ..., SL ..., SM ...
<b>DESCRIPTION</b> Açıklama	CALIPER CALIBRATION NUT KALİPER AYAR SOMUNU
<b>1</b>	CALIBRATION LOAF (5x)





# FOR KNORR TYPE



<b>5M Nr.</b> 5M No.	9201.137.5	
<b>ORG. REF. NO</b>		
<b>APPLICATION</b> Uygulama	ALL SB..., SN..., SK..., SL..., SM...	
<b>DESCRIPTION</b> Açıklama	CALIPER CALIBRATION LOAF. KALİPER KALİBRASYON SOMUNU	
<b>1</b>	CALIBRATION LOAF	



<b>5M Nr.</b> 5M No.	9201.063.5	
<b>ORG. REF. NO</b>		
<b>APPLICATION</b> Uygulama	SN.5...	
<b>DESCRIPTION</b> Açıklama	CALIPER CHAIN (12 LINK). KALİPER ZİNCİRİ (12 BAKLA)	
<b>1</b>	CALIPER CHAIN (12 LINK)	



<b>5M Nr.</b> 5M No.	9201.239.5	
<b>ORG. REF. NO</b>		
<b>APPLICATION</b> Uygulama	SB.5...	
<b>DESCRIPTION</b> Açıklama	CALIPER CHAIN (14 LINK). KALİPER ZİNCİRİ (14 BAKLA)	
<b>1</b>	CALIPER CHAIN (14 LINK)	



<b>5M Nr.</b> 5M No.	9201.029.5	
<b>ORG. REF. NO</b>		
<b>APPLICATION</b> Uygulama	SB 6..., SB 7..., SN6..., SN 7..., SK 7..., SL 7..., SM...	
<b>DESCRIPTION</b> Açıklama	CALIPER CHAIN (29 LINK). KALİPER ZİNCİRİ (29 BAKLA)	
<b>1</b>	CALIPER CHAIN (29 LINK)	

# FOR KNORR TYPE



<b>5M Nr.</b> 5M No.	9201.248.5
<b>ORG. REF. NO</b>	-
<b>APPLICATION</b> Uygulama	SB ..., SK ..., SN ... SERIES
<b>DESCRIPTION</b> Açıklama	CALIPER RUBBER CAP KALİPER SENSÖRÜ YUVASI TAPASI
<b>1</b>	RUBBER TAP (5x)



<b>5M Nr.</b> 5M No.	9201.043.5
<b>ORG. REF. NO</b>	
<b>APPLICATION</b> Uygulama	SB., SK., SN...
<b>DESCRIPTION</b> Açıklama	CALIPER SENSOR COVER (Without Sensör) KALİPER SENSÖR KAPAĞI (Sensörsüz)
<b>1</b>	SENSOR COVER



<b>5M Nr.</b> 5M No.	9201.040.5
<b>ORG. REF. NO</b>	
<b>APPLICATION</b> Uygulama	SB., SK., SN...
<b>DESCRIPTION</b> Açıklama	CALIPER SENSOR COVER (2 CABLE)SCANIA KALİPER SENSÖR KAPAĞI (2 KABLOLU) SCANIA
<b>1</b>	SENSOR COVER
<b>2</b>	CLIP



<b>5M Nr.</b> 5M No.	9201.041.5
<b>ORG. REF. NO</b>	
<b>APPLICATION</b> Uygulama	SB., SK., SN...
<b>DESCRIPTION</b> Açıklama	CALIPER SENSOR COVER (3 CABLE) MERCEDES KALİPER SENSÖR KAPAĞI (3 KABLOLU) MERCEDES
<b>1</b>	SENSOR COVER
<b>2</b>	CLIP



# FOR KNORR TYPE



<b>5M Nr.</b> 5M No.	9201.042.5
<b>ORG. REF. NO</b>	
<b>APPLICATION</b> Uygulama	SB., SN...
<b>DESCRIPTION</b> Açıklama	CALIPER SENSOR COVER (3 CABLE) MAN KALİPER SENSÖR KAPAĞI(3 KABLOLU) MAN
1	SENSOR COVER
2	CLIP



<b>5M Nr.</b> 5M No.	9201.082.5
<b>ORG. REF. NO</b>	
<b>APPLICATION</b> Uygulama	SK., SN...
<b>DESCRIPTION</b> Açıklama	CALIPER SENSOR COVER (Without Sensör) KALİPER SENSÖR KAPAĞI (Sensörsüz)
1	SENSOR COVER



<b>5M Nr.</b> 5M No.	9201.138.5
<b>ORG. REF. NO</b>	
<b>APPLICATION</b> Uygulama	SK., SN...
<b>DESCRIPTION</b> Açıklama	CALIPER SENSOR COVER (2 CABLE) KALİPER SENSÖR KAPAĞI (2 KABLOLU)
1	SENSOR COVER
2	CLIP



<b>5M Nr.</b> 5M No.	9201.139.5
<b>ORG. REF. NO</b>	
<b>APPLICATION</b> Uygulama	SK., SN...
<b>DESCRIPTION</b> Açıklama	CALIPER SENSOR COVER (3 CABLE)SCANIA KALİPER SENSÖR KAPAĞI (3 KABLOLU) SCANIA
1	SENSOR COVER
2	CLIP



# FOR KNORR TYPE



<b>5M Nr.</b> 5M No.	9201.090.5		
<b>ORG. REF. NO</b>			
<b>APPLICATION</b> Uygulama	SB 6.., SB 7...		
<b>DESCRIPTION</b> Açıklama	CALIPER SENSOR COVER (Without Sensör) KALİPER SENSÖR KAPAĞI (Sensörsüz)		
1	SENSOR COVER		



<b>5M Nr.</b> 5M No.	9201.091.5		
<b>ORG. REF. NO</b>			
<b>APPLICATION</b> Uygulama	SK.., SN...		
<b>DESCRIPTION</b> Açıklama	CALIPER SENSOR COVER (2 CABLE) KALİPER SENSÖR KAPAĞI (2 KABLOLU)		
1	SENSOR COVER		
2	SENSOR PIN		



<b>5M Nr.</b> 5M No.	9201.092.5		
<b>ORG. REF. NO</b>			
<b>APPLICATION</b> Uygulama	SK.., SN...		
<b>DESCRIPTION</b> Açıklama	CALIPER SENSOR COVER (3 CABLE) KALİPER SENSÖR KAPAĞI (3 KABLOLU)		
1	SENSOR COVER		
2	SENSOR PIN		



<b>5M Nr.</b> 5M No.	9201.097.5		
<b>ORG. REF. NO</b>			
<b>APPLICATION</b> Uygulama	SB 6.., SB 7...		
<b>DESCRIPTION</b> Açıklama	CALIPER SENSOR COVER (Without Sensör) KALİPER SENSÖR KAPAĞI (Sensörsüz)		
1	SENSOR COVER		

# FOR KNORR TYPE



<b>5M Nr.</b> 5M No.	9201.098.5
<b>ORG. REF. NO</b>	
<b>APPLICATION</b> Uygulama	
<b>DESCRIPTION</b> Açıklama	CALIPER SENSOR COVER (2 CABLE) KALİPER SENSÖR KAPAĞI(2 KABLULU)
1	SENSOR COVER
2	SENSOR PIN



<b>5M Nr.</b> 5M No.	9201.099.5
<b>ORG. REF. NO</b>	
<b>APPLICATION</b> Uygulama	SK..., SK...
<b>DESCRIPTION</b> Açıklama	CALIPER SENSOR COVER (3 CABLE) KALİPER SENSÖR KAPAĞI (3 KABLULU)
1	SENSOR COVER
2	SENSOR PIN



<b>5M Nr.</b> 5M No.	9201.103.5
<b>ORG. REF. NO</b>	
<b>APPLICATION</b> Uygulama	SN.5
<b>DESCRIPTION</b> Açıklama	CALIPER SENSOR COVER (Without Sensör) KALİPER SENSÖR KAPAĞI (Sensörsüz)
1	SENSOR COVER



<b>5M Nr.</b> 5M No.	9201.104.5
<b>ORG. REF. NO</b>	
<b>APPLICATION</b> Uygulama	SN.5
<b>DESCRIPTION</b> Açıklama	CALIPER SENSOR COVER (2 CABLE) KALİPER SENSÖR KAPAĞI (2 KABLULU)
1	SENSOR COVER
2	SENSOR PIN

# FOR KNORR TYPE



<b>5M Nr.</b> 5M No.	9201.105.5
<b>ORG. REF. NO</b>	
<b>APPLICATION</b> Uygulama	SN.5
<b>DESCRIPTION</b> Açıklama	CALIPER SENSOR COVER (3 CABLE) KALİPER SENSÖR KAPAĞI (3 KABLOLU)
1	SENSOR COVER
2	SENSOR PIN



<b>5M Nr.</b> 5M No.	9201.100.5
<b>ORG. REF. NO</b>	
<b>APPLICATION</b> Uygulama	SB.5
<b>DESCRIPTION</b> Açıklama	CALIPER SENSOR COVER (Without Sensör) KALİPER SENSÖR KAPAĞI (Sensörsüz)
1	SENSOR COVER



<b>5M Nr.</b> 5M No.	9201.101.5
<b>ORG. REF. NO</b>	
<b>APPLICATION</b> Uygulama	SB.5...
<b>DESCRIPTION</b> Açıklama	CALIPER SENSOR COVER (2 CABLE) KALİPER SENSÖR KAPAĞI (2 KABLOLU)
1	SENSOR COVER
2	SENSOR PIN



<b>5M Nr.</b> 5M No.	9201.102.5
<b>ORG. REF. NO</b>	
<b>APPLICATION</b> Uygulama	SB.5...
<b>DESCRIPTION</b> Açıklama	CALIPER SENSOR COVER (3 CABLE) KALİPER SENSÖR KAPAĞI (3 KABLOLU)
1	SENSOR COVER
2	CLIP





# FOR KNORR TYPE



<b>5M Nr.</b> 5M No.	9201.140.5
<b>ORG. REF. NO</b>	
<b>APPLICATION</b> Uygulama	SK..., SN...
<b>DESCRIPTION</b> Açıklama	CALIPER SENSOR PIN (LONG) KALİPER SENSOR PİMİ (UZUN)
<b>1</b>	SENSOR PIN



<b>5M Nr.</b> 5M No.	9201.141.5
<b>ORG. REF. NO</b>	
<b>APPLICATION</b> Uygulama	ALL SB, SN, SK, SL, SM
<b>DESCRIPTION</b> Açıklama	CALIPER SENSOR CLIP KALİPER SENSÖR KLİPSİ
<b>1</b>	CLIP



<b>5M Nr.</b> 5M No.	9201.142.5
<b>ORG. REF. NO</b>	
<b>APPLICATION</b> Uygulama	SN 6..., SN 7..., SK 7...
<b>DESCRIPTION</b> Açıklama	CALIPER SENSOR CLIP KALİPER SENSÖR KLİPSİ
<b>1</b>	CLIP



<b>5M Nr.</b> 5M No.	9201.240.5
<b>ORG. REF. NO</b>	
<b>APPLICATION</b> Uygulama	SN.5
<b>DESCRIPTION</b> Açıklama	CALIPER SENSOR PIN (SHORT) KALİPER SENSOR PİMİ (KISA)
<b>1</b>	SENSOR PIN

# FOR KNORR TYPE



<b>5M Nr.</b> 5M No.	9201.073.5
<b>ORG. REF. NO</b>	
<b>APPLICATION</b> Uygulama	SN 6., SN 7., SK 7...
<b>DESCRIPTION</b> Açıklama	CALIPER COVER KALİPER SAC KAPAK
<b>1</b>	COVER
<b>2</b>	COVER SCREW



<b>5M Nr.</b> 5M No.	9201.143.5
<b>ORG. REF. NO</b>	
<b>APPLICATION</b> Uygulama	SN6., SN 7...
<b>DESCRIPTION</b> Açıklama	CALIPER COVER KALİPER SAC KAPAK
<b>1</b>	COVER
<b>2</b>	COVER SCREW
<b>3</b>	COVER SCREW



<b>5M Nr.</b> 5M No.	9201.144.5
<b>ORG. REF. NO</b>	
<b>APPLICATION</b> Uygulama	SN.5...
<b>DESCRIPTION</b> Açıklama	CALIPER COVER KALİPER SAC KAPAK
<b>1</b>	COVER
<b>2</b>	COVER SCREW



<b>5M Nr.</b> 5M No.	9201.145.5
<b>ORG. REF. NO</b>	
<b>APPLICATION</b> Uygulama	SN.5...
<b>DESCRIPTION</b> Açıklama	CALIPER COVER KALİPER SAC KAPAK
<b>1</b>	COVER
<b>2</b>	COVER SCREW
<b>3</b>	DUST COVER

# FOR KNORR TYPE



<b>5M Nr.</b> 5M No.	9201.146.5	
<b>ORG. REF. NO</b>		
<b>APPLICATION</b> Uygulama	SN.5...	
<b>DESCRIPTION</b> Açıklama	CALIPER SEAL KALİPER KEÇE	
<b>1</b>	DUST COVER	



<b>5M Nr.</b> 5M No.	9201.147.5	
<b>ORG. REF. NO</b>		
<b>APPLICATION</b> Uygulama	SB 6..., SB 7...	
<b>DESCRIPTION</b> Açıklama	CALIPER REPAIR KIT KALİPER TAMİR TAKIMI	
<b>1</b>	LEVER	<b>9</b> BUSH
<b>2</b>	BRIDGE	<b>10</b> ROLLER BEARING
<b>3</b>	LEVER PIN	<b>11</b> ADJUSTING MECHANISM
<b>4</b>	METAL SHEET	<b>12</b> MECHANISM GEAR
<b>5</b>	CALIBRATION BOLT 3 THREAD	<b>13</b> CALIBRATION LOAF
<b>6</b>	BRIDGE SPRING	<b>14</b> ADJUSTING MECHANISM
<b>7</b>	TAPPET AND BOOT (74 mm)	<b>15</b> CALIPER CHAIN 29 LINK
<b>8</b>	DUST COVER	



<b>5M Nr.</b> 5M No.	9201.094.5	
<b>ORG. REF. NO</b>		
<b>APPLICATION</b> Uygulama	SB 6..., SB 7...	
<b>DESCRIPTION</b> Açıklama	CALIPER REPAIR KIT KALİPER TAMİR TAKIMI	
<b>1</b>	LEVER	<b>9</b> DUST COVER
<b>2</b>	BRIDGE	<b>10</b> BUSH
<b>3</b>	LEVER PIN	<b>11</b> ROLLER BEARING
<b>4</b>	METAL SHEET	<b>12</b> ADJUSTING MECHANISM
<b>5</b>	CALIBRATION BOLT 3 THREAD	<b>13</b> MECHANISM GEAR
<b>6</b>	BRIDGE SPRING	<b>14</b> CALIBRATION LOAF
<b>7</b>	BRIDGE SPRING	<b>15</b> ADJUSTING MECHANISM
<b>8</b>	TAPPET AND BOOT (74 mm)	<b>16</b> CALIPER CHAIN 29 LINK



# FOR KNORR TYPE



<b>5M Nr.</b> 5M No.	9201.148.5	
<b>ORG. REF. NO</b>		
<b>APPLICATION</b> Uygulama	SN 7..	
<b>DESCRIPTION</b> Açıklama	CALIPER REPAIR KIT KALİPER TAMİR TAKIMI	
1	LEVER	9 BUSH
2	BRIDGE	10 ROLLER BEARING
3	LEVER PIN	11 ADJUSTING MECHANISM
4	METAL SHEET	12 MECHANISM GEAR
5	CALIBRATION BOLT 3 THREAD	13 CALIBRATION LOAF
6	BRIDGE SPRING	14 ADJUSTING MECHANISM
7	TAPPET AND BOOT (69 mm)	15 CALIPER CHAIN 29 LINK
8	DUST COVER	



<b>5M Nr.</b> 5M No.	9201.149.5	
<b>ORG. REF. NO</b>		
<b>APPLICATION</b> Uygulama	SN 7...	
<b>DESCRIPTION</b> Açıklama	CALIPER REPAIR KIT KALİPER TAMİR TAKIMI	
1	LEVER	9 ADJUSTING MECHANISM
2	BRIDGE	10 MECHANISM GEAR
3	CALIBRATION BOLT 3 THREAD	11 CALIBRATION LOAF
4	BRIDGE SPRING	12 ADJUSTING MECHANISM
5	TAPPET AND BOOT (69 mm)	13 CALIPER CHAIN 29 LINK
6	DUST COVER	
7	BUSH	
8	ROLLER BEARING	



<b>5M Nr.</b> 5M No.	9201.150.5	
<b>ORG. REF. NO</b>		
<b>APPLICATION</b> Uygulama	SL 7.., SM 7...	
<b>DESCRIPTION</b> Açıklama	CALIPER REPAIR KIT KALİPER TAMİR TAKIMI	
1	LEVER	9 ADJUSTING MECHANISM
2	BRIDGE	10 MECHANISM GEAR
3	CALIBRATION BOLT 3 THREAD	11 CALIBRATION LOAF
4	BRIDGE SPRING	12 ADJUSTING MECHANISM
5	TAPPET AND BOOT (69 mm)	13 CALIPER CHAIN 29 LINK
6	DUST COVER	
7	BUSH	
8	ROLLER BEARING	

# FOR KNORR TYPE



<b>5M Nr.</b> 5M No.	9201.096.5		
<b>ORG. REF. NO</b>			
<b>APPLICATION</b> Uygulama	SN 6..., SK 7...		
<b>DESCRIPTION</b> Açıklama	CALIPER REPAIR KIT KALİPER TAMİR TAKIMI		
1	LEVER	9	CALIBRATION LOAF
2	BRIDGE	10	ADJUSTING MECHANISM
3	LEVER PIN	11	CALIPER CHAIN 29 LINK
4	METAL SHEET		
5	CALIBRATION BOLT 3 THREAD		
6	BRIDGE SPRING		
7	TAPPET AND BOOT (69 mm)		
8	DUST COVER		



<b>5M Nr.</b> 5M No.	9201.151.5		
<b>ORG. REF. NO</b>			
<b>APPLICATION</b> Uygulama	SN 6..., SK 6...		
<b>DESCRIPTION</b> Açıklama	CALIPER REPAIR KIT KALİPER TAMİR TAKIMI		
1	LEVER	9	ADJUSTING MECHANISM
2	BRIDGE	10	MECHANISM GEAR
3	CALIBRATION BOLT 3 HREAD	11	CALIBRATION LOAF
4	BRIDGE SPRING	12	ADJUSTING MECHANISM
5	TAPPET AND BOOT (69 mm)	13	CALIPER CHAIN 29 LINK
6	DUST COVER		
7	BUSH		
8	ROLLER BEARING		



<b>5M Nr.</b> 5M No.	9201.095.5		
<b>ORG. REF. NO</b>			
<b>APPLICATION</b> Uygulama	SB 6..., SB 6...		
<b>DESCRIPTION</b> Açıklama	CALIPER REPAIR KIT KALİPER TAMİR TAKIMI		
1	LEVER	9	BUSH
2	BRIDGE	10	ROLLER BEARING
3	LEVER PIN	11	ADJUSTING MECHANISM
4	METAL SHEET	12	MECHANISM GEAR
5	CALIBRATION BOLT 3 THREAD	13	CALIBRATION LOAF
6	BRIDGE SPRING	14	ADJUSTING MECHANISM
7	TAPPET AND BOOT (74 mm)	15	CALIPER CHAIN 29 LINK
8	DUST COVER		

# FOR KNORR TYPE



<b>5M Nr.</b> 5M No.	9201.152.5	
<b>ORG. REF. NO</b>		
<b>APPLICATION</b> Uygulama	SB 7..., SN 7...	
<b>DESCRIPTION</b> Açıklama	CALIPER REPAIR KIT KALİPER TAMİR TAKIMI	
1	LEVER	9 BUSH
2	BRIDGE	10 ROLLER BEARING
3	LEVER PIN	11 ADJUSTING MECHANISM
4	METAL SHEET	12 MECHANISM GEAR
5	CALIBRATION BOLT 3 THREAD	13 CALIBRATION LOAF
6	BRIDGE SPRING	14 ADJUSTING MECHANISM
7	TAPPET AND BOOT (69 mm)	15 CALIPER CHAIN 29 LINK
8	DUST COVER	



<b>5M Nr.</b> 5M No.	9201.153.5	
<b>ORG. REF. NO</b>		
<b>APPLICATION</b> Uygulama	SB 7..., SN 7...	
<b>DESCRIPTION</b> Açıklama	CALIPER REPAIR KIT KALİPER TAMİR TAKIMI	
1	LEVER	9 ADJUSTING MECHANISM
2	BRIDGE	10 MECHANISM GEAR
3	CALIBRATION BOLT 3 THREAD	11 CALIBRATION LOAF
4	BRIDGE SPRING	12 ADJUSTING MECHANISM
5	TAPPET AND BOOT (69 mm)	13 CALIPER CHAIN 29 LINK
6	DUST COVER	
7	BUSH	
8	ROLLER BEARING	



<b>5M Nr.</b> 5M No.	9201.154.5	
<b>ORG. REF. NO</b>		
<b>APPLICATION</b> Uygulama	SB 6..., SB 7...	
<b>DESCRIPTION</b> Açıklama	CALIPER REPAIR KIT KALİPER TAMİR TAKIMI	
1	LEVER	9 BUSH
2	BRIDGE	10 ROLLER BEARING
3	LEVER PIN	11 ADJUSTING MECHANISM
4	METAL SHEET	12 MECHANISM GEAR
5	CALIBRATION BOLT 3 THREAD	13 CALIBRATION LOAF
6	BRIDGE SPRING	14 ADJUSTING MECHANISM
7	TAPPET AND BOOT (74 mm)	15 CALIPER CHAIN 29 LINK
8	DUST COVER	



# FOR KNORR TYPE



<b>5M Nr.</b> 5M No.	9201.155.5	
<b>ORG. REF. NO</b>		
<b>APPLICATION</b> Uygulama	SN 6., SN 7, SK 7...	
<b>DESCRIPTION</b> Açıklama	CALIPER REPAIR KIT KALİPER TAMİR TAKIMI	
<b>1</b>	LEVER	
<b>2</b>	BRIDGE	
<b>3</b>	LEVER PIN	
<b>4</b>	METAL SHEET	
<b>5</b>	CALIBRATION BOLT 3 THREAD	
<b>6</b>	BRIDGE SPRING	
<b>7</b>	TAPPET AND BOOT (74 mm)	
<b>8</b>	DUST COVER	
<b>9</b>	BUSH	
<b>10</b>	ROLLER BEARING	
<b>11</b>	ADJUSTING MECHANISM	
<b>12</b>	MECHANISM GEAR	
<b>13</b>	CALIBRATION LOAF	
<b>14</b>	ADJUSTING MECHANISM	
<b>15</b>	CALIPER CHAIN 29 LINK	

# FOR KNORR TYPE



<b>5M Nr.</b> 5M No.	9201.241.5	
<b>ORG. REF. NO</b>		
<b>APPLICATION</b> Uygulama	SB 6., SB 7...	
<b>DESCRIPTION</b> Açıklama	CALIPER REPAIR KIT KALİPER TAMİR TAKIMI	
<b>1</b>	LEVER	
<b>2</b>	GUIDE PIN Ø30X99 mm	
<b>3</b>	SREW M16X1.5X105 mm	
<b>4</b>	GUIDE PIN Ø30X72 mm	
<b>5</b>	SREW M16X1.5X72 mm	
<b>6</b>	BUSH	
<b>7</b>	BUSH	
<b>8</b>	BOOT	
<b>9</b>	RING (PLASTIC)	
<b>10</b>	METAL TAP	
<b>11</b>	TAPPET AND BOOT (69 mm)	
<b>12</b>	DUST COVER	
<b>13</b>	BUSH	
<b>14</b>	ADJUSTING MECHANISM	
<b>15</b>	MECHANISM GEAR	
<b>16</b>	PINION SHAFT	
<b>17</b>	CALIBRATION BOLT 3 THREAD	
<b>18</b>	ROLLER BEARING	
<b>19</b>	CALIPER CHAIN 12 LINK	
<b>20</b>	COVER	
<b>21</b>	COVER SCREW	
<b>22</b>	BRIDGE	
<b>23</b>	BRIDGE SPRING	

# FOR KNORR TYPE



<b>5M Nr.</b> 5M No.	9201.156.5	
<b>ORG. REF. NO</b>		
<b>APPLICATION</b> Uygulama	SN.5...	
<b>DESCRIPTION</b> Açıklama	CALIPER REPAIR KIT KALİPER TAMİR TAKIMI	
<b>1</b>	LEVER	
<b>2</b>	TAPPET AND BOOT (69 mm)	
<b>3</b>	DUST COVER	
<b>4</b>	BUSH	
<b>5</b>	ADJUSTING MECHANISM	
<b>6</b>	MECHANISM GEAR	
<b>7</b>	PINION SHAFT	
<b>8</b>	CALIBRATION BOLT 3 THREAD	
<b>9</b>	ROLLER BEARING	
<b>10</b>	CALIPER CHAIN 12 LINK	
<b>11</b>	COVER	
<b>12</b>	COVER SCREW	
<b>13</b>	BRIDGE	
<b>14</b>	BRIDGE SPRING	



# FOR KNORR TYPE



<b>5M Nr.</b> 5M No.	9201.157.5
<b>ORG. REF. NO</b>	
<b>APPLICATION</b> Uygulama	SB.5...
<b>DESCRIPTION</b> Açıklama	CALIPER REPAIR KIT KALİPER TAMİR TAKIMI

1	LEVER	
2	GUIDE PIN Ø36X145 mm	
3	SREW M16X1.5X150 mm	
4	GUIDE PIN Ø34X80 mm	
5	SREW M16X1.5X87 mm	
6	RUBBER BUSH	
7	BOOT	
8	TEFLON RING	
9	BOOT	
10	CLAMP	
11	BUSH	
12	ADJUSTING MECHANISM	
13	MECHANISM GEAR	
14	CALIBRATION BOLT 3 THREAD	
15	PINION SHAFT	
16	CALIPER CHAIN 14 LINK	
17	TAPPET AND BOOT (74 mm)	
18	DUST COVER	
19	BUSH	
20	ROLLER BEARING	
21	BRIDGE	
22	BRIDGE SPRING	



<b>5M Nr.</b> 5M No.	9201.158.5
<b>ORG. REF. NO</b>	
<b>APPLICATION</b> Uygulama	SB.5...
<b>DESCRIPTION</b> Açıklama	CALIPER REPAIR KIT KALİPER TAMİR TAKIMI

1	LEVER	7	TAPPET AND BOOT (74 mm)
2	ADJUSTING MECHANISM	8	DUST COVER
3	MECHANISM GEAR	9	BUSH
4	CALIBRATION BOLT 3 THREAD	10	ROLLER BEARING
5	PINION SHAFT	11	BRIDGE
6	CALIPER CHAIN 14 LINK	12	BRIDGE SPRING

# FOR KNORR TYPE



<b>5M Nr.</b> 5M No.	9201.159.5		
<b>ORG. REF. NO</b>			
<b>APPLICATION</b> Uygulama	SB 6., SB 7...		
<b>DESCRIPTION</b> Açıklama	CALIPER REPAIR KIT KALİPER TAMİR TAKIMI		
<b>1</b>	GUIDE PIN Ø36X145 mm	<b>13</b>	TEFLON RING
<b>2</b>	SREW M16X1.5X150 mm	<b>14</b>	CLAMP
<b>3</b>	GUIDE PIN Ø34X80 mm	<b>15</b>	RUBBER TAP
<b>4</b>	SREW M16X1.5X87 mm		
<b>5</b>	TAPPET AND BOOT (74 mm)		
<b>6</b>	DUST COVER		
<b>7</b>	BUSH		
<b>8</b>	BUSH		
<b>9</b>	RUBBER BUSH		
<b>10</b>	RUBBER CAP (Ø38 mm)		
<b>11</b>	BOOT		
<b>12</b>	BOOT		



<b>5M Nr.</b> 5M No.	9201.160.5		
<b>ORG. REF. NO</b>			
<b>APPLICATION</b> Uygulama	SN 6., SN 7, SK 7...		
<b>DESCRIPTION</b> Açıklama	CALIPER REPAIR KIT KALİPER TAMİR TAKIMI		
<b>1</b>	GUIDE PIN Ø36X114 mm	<b>12</b>	PIN CAP
<b>2</b>	SREW M16X1.5X87 mm	<b>13</b>	RUBBER CAP (Ø38 mm)
<b>3</b>	GUIDE PIN Ø32X80 mm	<b>14</b>	TEFLON RING
<b>4</b>	SREW M16X1.5X80 mm	<b>15</b>	METAL TAP
<b>5</b>	TAPPET AND BOOT (69 mm)		
<b>6</b>	DUST COVER		
<b>7</b>	BUSH		
<b>8</b>	BUSH		
<b>9</b>	METAL-RUBBER BUSH (LONG) (Ø39 mm)		
<b>10</b>	RUBBER BUSH		
<b>11</b>	BOOT		

# FOR KNORR TYPE



<b>5M Nr.</b> 5M No.	9201.161.5	
<b>ORG. REF. NO</b>		
<b>APPLICATION</b> Uygulama	SK 7...	
<b>DESCRIPTION</b> Açıklama	CALIPER REPAIR KIT KALİPER TAMİR TAKIMI	
<b>1</b>	GUIDE PIN Ø36X114 mm	<b>13</b> TEFLON RING
<b>2</b>	SREW M16X1.5X87 mm	<b>14</b> METAL TAP
<b>3</b>	GUIDE PIN Ø36X64 mm	<b>15</b> METAL TAP
<b>4</b>	SREW M16X1.5X70 mm	
<b>5</b>	TAPPET AND BOOT (69 mm)	
<b>6</b>	DUST COVER	
<b>7</b>	BUSH	
<b>8</b>	BUSH	
<b>9</b>	BUSH (SLOTTED)	
<b>10</b>	RUBBER TAP	
<b>11</b>	RUBBER CAP (Ø38 mm)	
<b>12</b>	BOOT	



<b>5M Nr.</b> 5M No.	9201.162.5	
<b>ORG. REF. NO</b>		
<b>APPLICATION</b> Uygulama	SB 6., SB 7...	
<b>DESCRIPTION</b> Açıklama	CALIPER REPAIR KIT KALİPER TAMİR TAKIMI	
<b>1</b>	GUIDE PIN Ø36X145 mm	<b>13</b> O-RING
<b>2</b>	SREW M16X1.5X150 mm	<b>14</b> CALIBRATION LOAF
<b>3</b>	GUIDE PIN Ø36X114 mm	<b>15</b> RUBBER BUSH
<b>4</b>	SREW M16X1.5X87 mm	<b>16</b> BUSH
<b>5</b>	GUIDE PIN Ø34X80 mm	
<b>6</b>	BOOT	
<b>7</b>	TEFLON RING	
<b>8</b>	BOOT	
<b>9</b>	CLAMP	
<b>10</b>	RUBBER CAP (Ø38 mm)	
<b>11</b>	RUBBER TAP	
<b>12</b>	METAL CAP	



# FOR KNORR TYPE



<b>5M Nr.</b> 5M No.	9201.242.5	
<b>ORG. REF. NO</b>	-	
<b>APPLICATION</b> Uygulama	ALL SB ..., SN..., SK ...	
<b>DESCRIPTION</b> Açıklama	CALIPER REPAIR KIT KALİPER TAMİR TAKIMI	
1	GUIDE PIN Ø36x114 mm	5 BUSH
2	SCREW M16x1.5x86	6 PIN CAP
3	GUIDE PIN Ø32x80 mm	7 METAL CAP
4	SCREW M16x1.5x80	



<b>5M Nr.</b> 5M No.	9201.039.5	
<b>ORG. REF. NO</b>	K000365 - 0004202282	
<b>APPLICATION</b> Uygulama	SB 7...	
<b>DESCRIPTION</b> Açıklama	CALIPER REPAIR KIT KALİPER TAMİR TAKIMI	
1	GUIDE PIN Ø36X114 mm	12 TEFLON RING
2	SREW M16X1.5X87 mm	13 METAL TAP
3	GUIDE PIN Ø32X80 mm	
4	SREW M16X1.5X80 mm	
5	GUIDE PIN Ø34X80 mm	
6	BUSH	
7	RUBBER BUSH	
8	METAL RUBBER B. (SHORT) (Ø39 mm)	
9	METAL CAP	
10	O-RING	
11	BOOT	



<b>5M Nr.</b> 5M No.	9201.045.5	
<b>ORG. REF. NO</b>	K0001470 - 0004203482	
<b>APPLICATION</b> Uygulama	SB 7...	
<b>DESCRIPTION</b> Açıklama	CALIPER REPAIR KIT KALİPER TAMİR TAKIMI	
1	GUIDE PIN Ø36X114 mm	9 METAL CAP
2	SREW M16X1.5X87 mm	10 O-RING
3	GUIDE PIN Ø32X80 mm	11 BOOT
4	SREW M16X1.5X80 mm	12 TEFLON RING
5	GUIDE PIN Ø34X80 mm	13 METAL TAP
6	BUSH	14 PIN CAP
7	RUBBER BUSH	
8	METAL RUBBER B. (LONG) (Ø39 mm)	



# FOR KNORR TYPE

	<b>5M Nr.</b> 5M No.	<b>9201.163.5</b>
	<b>ORG. REF. NO</b>	
	<b>APPLICATION</b> Uygulama	SB 6..., SB 7...
	<b>DESCRIPTION</b> Açıklama	CALIPER REPAIR KIT KALİPER TAMİR TAKIMI
<b>1</b>	GUIDE PIN Ø36X145 mm	<b>9</b> RUBBER CAP (Ø38 mm)
<b>2</b>	SREW M16X1.5X150 mm	<b>10</b> RUBBER TAP
<b>3</b>	GUIDE PIN Ø34X80 mm	<b>11</b> CALIBRATION LOAF
<b>4</b>	SREW M16X1.5X87 mm	<b>12</b> RUBBER BUSH
<b>5</b>	BOOT	<b>13</b> BUSH
<b>6</b>	TEFLON RING	
<b>7</b>	BOOT	
<b>8</b>	CLAMP	

	<b>5M Nr.</b> 5M No.	<b>9201.005.5</b>
	<b>ORG. REF. NO</b>	II328090062 - II339680062 - II369100062 - 0004200782 - 0004201282 - 81508226009 - 1390427 - 1448915 - 93162048 - 0501211763
	<b>APPLICATION</b> Uygulama	SB 6..., SB 7...
	<b>DESCRIPTION</b> Açıklama	CALIPER REPAIR KIT KALİPER TAMİR TAKIMI
<b>1</b>	GUIDE PIN Ø36X145 mm	<b>9</b> CLAMP
<b>2</b>	SREW M16X1.5X150 mm	<b>10</b> BUSH
<b>3</b>	GUIDE PIN Ø34X80 mm	
<b>4</b>	SREW M16X1.5X87 mm	
<b>5</b>	RUBBER BUSH	
<b>6</b>	BOOT	
<b>7</b>	TEFLON RING	
<b>8</b>	BOOT	

	<b>5M Nr.</b> 5M No.	<b>9201.164.5</b>
	<b>ORG. REF. NO</b>	K000687 - 1603326
	<b>APPLICATION</b> Uygulama	SB 7..., SN 7...
	<b>DESCRIPTION</b> Açıklama	CALIPER REPAIR KIT KALİPER TAMİR TAKIMI
<b>1</b>	GUIDE PIN Ø36X145 mm	<b>9</b> CLAMP
<b>2</b>	SREW M16X1.5X150 mm	<b>10</b> BUSH
<b>3</b>	GUIDE PIN Ø32X80 mm	
<b>4</b>	SREW M16X1.5X80 mm	
<b>5</b>	BOOT	
<b>6</b>	TEFLON RING	
<b>7</b>	METAL RUBBER B. (SHORT) (Ø39 mm)	

# FOR KNORR TYPE



<b>5M Nr.</b> 5M No.	9201.011.5	
<b>ORG. REF. NO</b>	K003935 - SAF 3 434 3402 00	
<b>APPLICATION</b> Uygulama	SB 6..., SB 7...	
<b>DESCRIPTION</b> Açıklama	CALIPER REPAIR KIT KALİPER TAMİR TAKIMI	
1	GUIDE PIN Ø36X145 mm	
2	SREW M16X1.5X150 mm	
3	BOOT	
4	TEFLON RING	
5	BOOT	
6	CLAMP	
7	BUSH	



<b>5M Nr.</b> 5M No.	9201.010.5	
<b>ORG. REF. NO</b>	II358510062 - 1415149 - 0004201182 - 0501211047	
<b>APPLICATION</b> Uygulama	SB 7...	
<b>DESCRIPTION</b> Açıklama	CALIPER REPAIR KIT KALİPER TAMİR TAKIMI	
1	GUIDE PIN Ø36X145 mm	9 BOOT
2	SREW M16X1.5X150 mm	10 TEFLON RING
3	GUIDE PIN Ø34X120 mm	
4	SREW M16X1.5X125 mm	
5	BOOT	
6	CLAMP	
7	RUBBER BUSH	
8	BUSH	



<b>5M Nr.</b> 5M No.	9201.165.5	
<b>ORG. REF. NO</b>		
<b>APPLICATION</b> Uygulama	SB 7...	
<b>DESCRIPTION</b> Açıklama	CALIPER REPAIR KIT KALİPER TAMİR TAKIMI	
1	GUIDE PIN Ø36X145 mm	
2	SREW M16X1.5X150 mm	
3	GUIDE PIN Ø34X120 mm	
4	SREW M16X1.5X125 mm	
5	BOOT	
6	RUBBER BUSH	
7	CLAMP	
8	BUSH	

# FOR KNORR TYPE



1: Guide pin (long, silver)

2: Screw (black, threaded)

3: Guide pin (short, silver)

4: Screw (black, threaded)

5: Bush (brass)

<b>5M Nr.</b> 5M No.	9201.166.5	
<b>ORG. REF. NO</b>		
<b>APPLICATION</b> Uygulama	SB 6., SB 7., SN 7...	
<b>DESCRIPTION</b> Açıklama	CALIPER REPAIR KIT KALİPER TAMİR TAKIMI	
1	GUIDE PIN Ø36X145 mm	
2	SREW M16X1.5X150 mm	
3	GUIDE PIN Ø34X80 mm	
4	SREW M16X1.5X87 mm	
5	BUSH	



1: Guide pin (long, silver)

2: Screw (black, threaded)

3: Guide pin (short, silver)

4: Screw (black, threaded)

5: Rubber bush (black)

<b>5M Nr.</b> 5M No.	9201.167.5	
<b>ORG. REF. NO</b>		
<b>APPLICATION</b> Uygulama	SB 6., SB 7...	
<b>DESCRIPTION</b> Açıklama	CALIPER REPAIR KIT KALİPER TAMİR TAKIMI	
1	GUIDE PIN Ø36X145 mm	
2	SREW M16X1.5X150 mm	
3	GUIDE PIN Ø34X80 mm	
4	SREW M16X1.5X87 mm	
5	RUBBER BUSH	



1: Guide pin (long, silver)

2: Screw (black, threaded)

3: Guide pin (short, silver)

4: Screw (black, threaded)

5: Rubber bush (black)

6: Boot (black)

7: Clamp (metal)

8: Boot (red)

9: Teflon ring (yellow)

10: Bush (brass)

<b>5M Nr.</b> 5M No.	9201.013.5	
<b>ORG. REF. NO</b>	K000132 - II304130062 - 97131439	
<b>APPLICATION</b> Uygulama	SB 6., SB 7...	
<b>DESCRIPTION</b> Açıklama	CALIPER REPAIR KIT KALİPER TAMİR TAKIMI	
1	GUIDE PIN Ø36X135 mm	9
2	SREW M16X1.5X140 mm	10
3	GUIDE PIN Ø34X80 mm	
4	SREW M16X1.5X87 mm	
5	RUBBER BUSH	
6	BOOT	
7	CLAMP	
8	BOOT	



# FOR KNORR TYPE



<b>5M Nr.</b> 5M No.	9201.168.5	
<b>ORG. REF. NO</b>		
<b>APPLICATION</b> Uygulama	SB 6., SB 7...	
<b>DESCRIPTION</b> Açıklama	CALIPER REPAIR KIT KALİPER TAMİR TAKIMI	
1	GUIDE PIN Ø36X135 mm	
2	GUIDE PIN Ø34X80 mm	
3	BUSH	
4	RUBBER BUSH	
5	BOOT	
6	TEFLON RING	
7	BOOT	
8	CLAMP	



<b>5M Nr.</b> 5M No.	9201.014.5	
<b>ORG. REF. NO</b>	II179320062	
<b>APPLICATION</b> Uygulama	SB 7...	
<b>DESCRIPTION</b> Açıklama	CALIPER REPAIR KIT KALİPER TAMİR TAKIMI	
1	GUIDE PIN Ø36X135 mm	9 BUSH
2	SREW M16X1.5X140 mm	
3	GUIDE PIN Ø34X120 mm	
4	SREW M16X1.5X125 mm	
5	RUBBER BUSH	
6	BOOT	
7	BOOT	
8	CLAMP	



<b>5M Nr.</b> 5M No.	9201.169.5	
<b>ORG. REF. NO</b>	II197140062	
<b>APPLICATION</b> Uygulama	SB 7...	
<b>DESCRIPTION</b> Açıklama	CALIPER REPAIR KIT KALİPER TAMİR TAKIMI	
1	GUIDE PIN Ø36X135 mm	9 BUSH
2	SREW M16X1.5X140 mm	
3	GUIDE PIN Ø34X80 mm	
4	SREW M16X1.5X87 mm	
5	RUBBER BUSH	
6	BOOT	
7	CLAMP	
8	RUBBER TAP	



# FOR KNORR TYPE




5M Nr. 9201.015.5  
5M No.

ORG. REF. NO II197330062-1390426

APPLICATION SB 7...  
Uygulama

DESCRIPTION CALIPER REPAIR KIT  
Açıklama KALİPER TAMİR TAKIMI

1	GUIDE PIN Ø36X135 mm	9	BUSH
2	SREW M16X1.5X140 mm		
3	GUIDE PIN Ø34X80 mm		
4	SREW M16X1.5X87 mm		
5	RUBBER BUSH		
6	BOOT		
7	BOOT		
8	CLAMP		



5M Nr. 9201.170.5  
5M No.

ORG. REF. NO

APPLICATION SB 7...  
Uygulama

DESCRIPTION CALIPER REPAIR KIT  
Açıklama KALİPER TAMİR TAKIMI

1	GUIDE PIN Ø34X120 mm		
2	SREW M16X1.5X125 mm		
3	RUBBER BUSH		



5M Nr. 9201.171.5  
5M No.

ORG. REF. NO K031844K50 - 1906779

APPLICATION SB 6..., SB 7...  
Uygulama

DESCRIPTION CALIPER REPAIR KIT  
Açıklama KALİPER TAMİR TAKIMI

1	GUIDE PIN Ø36X114 mm	9	O-RING
2	SREW M16X1.5X87 mm	10	METAL CAP
3	GUIDE PIN Ø32X84 mm	11	METAL RUBBER BUSH (SHORT)
4	SREW M16X1.5X80 mm	12	BOOT
5	BOOT	13	TEFLON RING
6	TEFLON RING	14	METAL CAP
7	BUSH		
8	METAL CAP		



# FOR KNORR TYPE



<b>5M Nr.</b>	9201.088.5	
<b>5M No.</b>	K067417K50	
<b>ORG. REF. NO</b>	K067417K50	
<b>APPLICATION</b>	SB 6., SB 7., SN 7...	
<b>Uygulama</b>		
<b>DESCRIPTION</b>	CALIPER REPAIR KIT	
<b>Açıklama</b>	KALİPER TAMİR TAKIMI	
<b>1</b>	GUIDE PIN Ø36X114 mm	<b>8</b> RING (Ø39 mm)
<b>2</b>	SREW M16X1.5X87 mm	<b>9</b> PIN CAP
<b>3</b>	GUIDE PIN Ø32X80 mm	<b>10</b> BOOT
<b>4</b>	SREW M16X1.5X80 mm	<b>11</b> TEFLON RING
<b>5</b>	METAL CAP	<b>12</b> BUSH
<b>6</b>	O-RING	<b>13</b> METAL TAP
<b>7</b>	METAL RUBBER BUSH (LONG) (Ø35 mm)	



<b>5M Nr.</b>	9201.007.5	
<b>5M No.</b>	K000472 - 42541412 - 81508226019	
<b>ORG. REF. NO</b>	K000472 - 42541412 - 81508226019	
<b>APPLICATION</b>	SN 6., SN 7., SK 7...	
<b>Uygulama</b>		
<b>DESCRIPTION</b>	CALIPER REPAIR KIT (OLD MODEL)	
<b>Açıklama</b>	KALİPER TAMİR TAKIMI (ESKİ MODEL)	
<b>1</b>	GUIDE PIN Ø36X114 mm	<b>9</b> METAL RUBBER BUSH (LONG) (Ø39 mm)
<b>2</b>	SREW M16X1.5X87 mm	<b>10</b> BUSH
<b>3</b>	GUIDE PIN Ø32X80 mm	
<b>4</b>	SREW M16X1.5X80 mm	
<b>5</b>	BOOT	
<b>6</b>	TEFLON RING	
<b>7</b>	PIN CAP	
<b>8</b>	METAL TAP	



<b>5M Nr.</b>	9201.172.5	
<b>5M No.</b>	K000472 - 42541412 - 81508226019	
<b>ORG. REF. NO</b>	K000472 - 42541412 - 81508226019	
<b>APPLICATION</b>	SN 6., SN 7., SK 7., SL 7., SM 7	
<b>Uygulama</b>		
<b>DESCRIPTION</b>	CALIPER REPAIR KIT (NEW MODEL)	
<b>Açıklama</b>	KALİPER TAMİR TAKIMI (YENİ MODEL)	
<b>1</b>	GUIDE PIN Ø36X114 mm	<b>9</b> BUSH
<b>2</b>	SREW M16X1.5X87 mm	
<b>3</b>	GUIDE PIN Ø32X88.5 mm	
<b>4</b>	SREW M16X1.5X80 mm	
<b>5</b>	BOOT	
<b>6</b>	TEFLON RING	
<b>7</b>	METAL TAP	
<b>8</b>	METAL RUBBER BUSH (LONG) (Ø39 mm)	

# FOR KNORR TYPE



<b>5M Nr.</b> 5M No.	9201.243.5	
<b>ORG. REF. NO</b>	-	
<b>APPLICATION</b> Uygulama	ALL SB ..., SN..., SK ...	
<b>DESCRIPTION</b> Açıklama	CALIPER REPAIR KIT (NEW MODEL) KALİPER TAMİR TAKIMI (YENİ MODEL)	
<b>1</b>	GUIDE PIN Ø36x114 mm	<b>8</b> METAL CAP
<b>2</b>	GUIDE PIN Ø32x88.5 mm	<b>9</b> RUBBER BUSH
<b>3</b>	GUIDE PIN Ø34x80 mm	<b>10</b> O-RING
<b>4</b>	BUSH	<b>11</b> METAL RUBBER BUSH (LONG) Ø39 mm
<b>5</b>	SCREW M16x1.5x86 (2x)	<b>12</b> BOOT
<b>6</b>	SCREW M16x1.5x80	<b>13</b> TEFLON RING
<b>7</b>	METAL CAP	



<b>5M Nr.</b> 5M No.	9201.003.5	
<b>ORG. REF. NO</b>	K000375	
<b>APPLICATION</b> Uygulama	SB 6., SB 7...	
<b>DESCRIPTION</b> Açıklama	CALIPER REPAIR KIT (OLD MODEL) KALİPER TAMİR TAKIMI (ESKİ MODEL)	
<b>1</b>	GUIDE PIN Ø36X114 mm	<b>9</b> BOOT
<b>2</b>	SREW M16X1.5X87 mm	<b>10</b> TEFLON RING
<b>3</b>	GUIDE PIN Ø32X80 mm	<b>11</b> BUSH
<b>4</b>	SREW M16X1.5X80 mm	
<b>5</b>	METAL CAP	
<b>6</b>	O-RING	
<b>7</b>	PIN CAP	
<b>8</b>	METAL RUBBER BUSH (LONG) (Ø39 mm)	



<b>5M Nr.</b> 5M No.	9201.173.5	
<b>ORG. REF. NO</b>	K000375	
<b>APPLICATION</b> Uygulama	SB 6., SB 7...	
<b>DESCRIPTION</b> Açıklama	CALIPER REPAIR KIT (NEW MODEL) KALİPER TAMİR TAKIMI (YENİ MODEL)	
<b>1</b>	GUIDE PIN Ø36X114 mm	<b>8</b> BOOT
<b>2</b>	SREW M16X1.5X87 mm	<b>9</b> TEFLON RING
<b>3</b>	GUIDE PIN Ø32X88.5 mm	<b>10</b> BUSH
<b>4</b>	SREW M16X1.5X80 mm	
<b>5</b>	METAL CAP	
<b>6</b>	O-RING	
<b>7</b>	METAL RUBBER BUSH (LONG) (Ø39 mm)	



# FOR KNORR TYPE



<b>5M Nr.</b> 5M No.	9201.006.5	
<b>ORG. REF. NO</b>	K001532	
<b>APPLICATION</b> Uygulama	SB 7...	
<b>DESCRIPTION</b> Açıklama	CALIPER REPAIR KIT (OLD MODEL) KALİPER TAMİR TAKIMI (ESKİ MODEL)	
1	GUIDE PIN Ø36X114 mm	9 BOOT
2	SREW M16X1.5X87 mm	10 TEFLON RING
3	GUIDE PIN Ø32X80 mm	11 BUSH
4	SREW M16X1.5X80 mm	
5	METAL CAP	
6	O-RING	
7	PIN CAP	
8	METAL RUBBER BUSH (LONG) (Ø35mm)	




<b>5M Nr.</b> 5M No.	9201.174.5	
<b>ORG. REF. NO</b>	K001532	
<b>APPLICATION</b> Uygulama	SB 7...	
<b>DESCRIPTION</b> Açıklama	CALIPER REPAIR KIT (NEW MODEL) KALİPER TAMİR TAKIMI (YENİ MODEL)	
1	GUIDE PIN Ø36X114 mm	8 BOOT
2	SREW M16X1.5X87 mm	9 TEFLON RING
3	GUIDE PIN Ø32X88.5 mm	10 BUSH
4	SREW M16X1.5X80 mm	
5	METAL CAP	
6	O-RING	
7	METAL RUBBER BUSH (LONG) (Ø35mm)	



<b>5M Nr.</b> 5M No.	9201.175.5	
<b>ORG. REF. NO</b>		
<b>APPLICATION</b> Uygulama	SB 7...	
<b>DESCRIPTION</b> Açıklama	CALIPER REPAIR KIT KALİPER TAMİR TAKIMI	
1	GUIDE PIN Ø36X114 mm	9 RUBBER CAP (Ø38 mm)
2	SREW M16X1.5X87 mm	10 RUBBER TAP
3	GUIDE PIN Ø32X80 mm	11 BUSH
4	BOOT	12 RUBBER BUSH
5	TEFLON RING	
6	METAL CAP	
7	O-RING	
8	CALIBRATION LOAF	



# FOR KNORR TYPE



5M Nr. 9201.044.5  
5M No.

ORG. REF. NO II39769F0062 - 42537451

APPLICATION SB 6.., SB 7...

DESCRIPTION CALIPER REPAIR KIT  
Açıklama KALİPER TAMİR TAKIMI

1	GUIDE PIN Ø36X114 mm	9	RUBBER BUSH
2	SREW M16X1.5X87 mm		
3	GUIDE PIN Ø34X80 mm		
4	BOOT		
5	TEFLON RING		
6	METAL CAP		
7	O-RING		
8	BUSH		



5M Nr. 9201.028.5  
5M No.

ORG. REF. NO K001915 - K028451

APPLICATION SN 6.., SN 7.., SL 7.., SM 7...

DESCRIPTION CALIPER REPAIR KIT  
Açıklama KALİPER TAMİR TAKIMI

1	GUIDE PIN Ø36X114 mm	8	RUBBER BUSH (SHORT) (Ø39mm)
2	SREW M16X1.5X87 mm	9	BUSH
3	GUIDE PIN Ø32X80 mm		
4	SREW M16X1.5X80 mm		
5	BOOT		
6	TEFLON RING		
7	METAL TAP		



5M Nr. 9201.176.5  
5M No.

ORG. REF. NO 3434332000

APPLICATION SN .., SB ...

DESCRIPTION CALIPER REPAIR KIT  
Açıklama KALİPER TAMİR TAKIMI

1	GUIDE PIN Ø36X114 mm	8	RING (Ø39 mm)
2	SREW M16X1.5X87 mm	9	BOOT
3	GUIDE PIN Ø32X80 mm	10	TEFLON RING
4	SREW M16X1.5X80 mm	11	BUSH
5	METAL CAP	12	METAL TAP
6	O-RING		
7	METAL RUBBER BUSH (SHORT) (Ø35mm)		

# FOR KNORR TYPE



<b>5M Nr.</b> 5M No.	<b>9201.177.5</b>	
<b>ORG. REF. NO</b>	K048371K50	
<b>APPLICATION</b> Uygulama	SB 6..., SB 7...	
<b>DESCRIPTION</b> Açıklama	CALIPER REPAIR KIT KALİPER TAMİR TAKIMI	
<b>1</b>	GUIDE PIN Ø36X114 mm	<b>8</b> BOOT
<b>2</b>	SREW M16X1.5X87 mm	<b>9</b> TEFLON RING
<b>3</b>	GUIDE PIN Ø32X80 mm	<b>10</b> BUSH
<b>4</b>	SREW M16X1.5X80 mm	
<b>5</b>	METAL CAP	
<b>6</b>	O-RING	
<b>7</b>	METAL RUBBER BUSH (SHORT) (Ø39mm)	



<b>5M Nr.</b> 5M No.	<b>9201.178.5</b>	
<b>ORG. REF. NO</b>	K048396K50	
<b>APPLICATION</b> Uygulama	SB 6..., SB 7...	
<b>DESCRIPTION</b> Açıklama	CALIPER REPAIR KIT KALİPER TAMİR TAKIMI	
<b>1</b>	GUIDE PIN Ø36X114 mm	<b>8</b> BOOT
<b>2</b>	SREW M16X1.5X87 mm	<b>9</b> TEFLON RING
<b>3</b>	GUIDE PIN Ø32X80 mm	<b>10</b> BUSH
<b>4</b>	SREW M16X1.5X80 mm	
<b>5</b>	METAL CAP	
<b>6</b>	O-RING	
<b>7</b>	METAL RUBBER BUSH (SHORT) (Ø35mm)	



<b>5M Nr.</b> 5M No.	<b>9201.046.5</b>	
<b>ORG. REF. NO</b>	K004100 - 3434381500 - K010766 - 0004205082	
<b>APPLICATION</b> Uygulama	SK 6..., SK 7..., SN 7...	
<b>DESCRIPTION</b> Açıklama	CALIPER REPAIR KIT KALİPER TAMİR TAKIMI	
<b>1</b>	GUIDE PIN Ø36X114 mm	<b>9</b> METAL TAP
<b>2</b>	SREW M16X1.5X87 mm	<b>10</b> METAL TAP
<b>3</b>	GUIDE PIN Ø36X64 mm	
<b>4</b>	SREW M16X1.5X70 mm	
<b>5</b>	BUSH	
<b>6</b>	BUSH	
<b>7</b>	BOOT	
<b>8</b>	TEFLON RING	

# FOR KNORR TYPE



<b>5M Nr.</b> 5M No.	9201.179.5	
<b>ORG. REF. NO</b>	K010813	
<b>APPLICATION</b> Uygulama	SB 7...	
<b>DESCRIPTION</b> Açıklama	CALIPER REPAIR KIT KALİPER TAMİR TAKIMI	
1	GUIDE PIN Ø36X114 mm	9 METAL TAP
2	SREW M16X1.5X87 mm	10 METAL TAP
3	GUIDE PIN Ø36X64 mm	11 O-RING
4	SREW M16X1.5X70 mm	
5	BUSH	
6	BUSH	
7	BOOT	
8	TEFLON RING	



<b>5M Nr.</b> 5M No.	9201.180.5	
<b>ORG. REF. NO</b>		
<b>APPLICATION</b> Uygulama	SB 6..., SK 6..., SK 7...,S N 7...	
<b>DESCRIPTION</b> Açıklama	CALIPER REPAIR KIT KALİPER TAMİR TAKIMI	
1	GUIDE PIN Ø36X64 mm	
2	SREW M16X1.5X70 mm	
3	BOOT	
4	TEFLON RING	
5	BUSH (SLOTTED)	
6	METAL TAP	



<b>5M Nr.</b> 5M No.	9201.017.5	
<b>ORG. REF. NO</b>	K001274	
<b>APPLICATION</b> Uygulama	SB.5..., SN.5...	
<b>DESCRIPTION</b> Açıklama	CALIPER REPAIR KIT KALİPER TAMİR TAKIMI	
1	GUIDE PIN Ø36X103 mm	8 PIN CAP
2	SREW M16X1.5X87 mm	9 METAL TAP
3	GUIDE PIN Ø32X80 mm	10 BUSH
4	SREW M16X1.5X80 mm	
5	METAL RUBBER BUSH (LONG) (Ø39mm)	
6	BOOT	
7	TEFLON RING	





# FOR KNORR TYPE



<b>5M Nr.</b> 5M No.	9201.016.5	
<b>ORG. REF. NO</b>	K001925 - 0004204382	
<b>APPLICATION</b> Uygulama		
<b>DESCRIPTION</b> Açıklama	CALIPER REPAIR KIT KALİPER TAMİR TAKIMI	
1	GUIDE PIN Ø36X103 mm	8 METAL TAP
2	SREW M16X1.5X87 mm	9 BUSH
3	GUIDE PIN Ø32X80 mm	
4	SREW M16X1.5X80 mm	
5	METAL RUBBER BUSH (SHORT) (Ø39mm)	
6	BOOT	
7	TEFLON RING	



<b>5M Nr.</b> 5M No.	9201.077.5	
<b>ORG. REF. NO</b>	K001928 - 81508226026	
<b>APPLICATION</b> Uygulama	SN.5...	
<b>DESCRIPTION</b> Açıklama	CALIPER REPAIR KIT KALİPER TAMİR TAKIMI	
1	GUIDE PIN Ø30X99 mm	9 METAL TAP
2	SREW M16X1.5X105 mm	
3	GUIDE PIN Ø30X72 mm	
4	SREW M16X1.5X75 mm	
5	BUSH	
6	BUSH	
7	BOOT	
8	RING (PLASTIC)	



<b>5M Nr.</b> 5M No.	9201.181.5	
<b>ORG. REF. NO</b>		
<b>APPLICATION</b> Uygulama	SB 7...	
<b>DESCRIPTION</b> Açıklama	CALIPER REPAIR KIT KALİPER TAMİR TAKIMI	
1	GUIDE PIN Ø36X114 mm	
2	SREW M16X1.5X87 mm	
3	GUIDE PIN Ø34X80 mm	
4	METAL CAP	
5	O-RING	
6	BUSH	



# FOR KNORR TYPE



<b>5M Nr.</b> 5M No.	9201.182.5	
<b>ORG. REF. NO</b>		
<b>APPLICATION</b> Uygulama	ALL SB., SN., SK...	
<b>DESCRIPTION</b> Açıklama	CALIPER REPAIR KIT KALİPER TAMİR TAKIMI	
1	GUIDE PIN Ø36X114 mm	
2	SREW M16X1.5X87 mm	
3	GUIDE PIN Ø32X80 mm	
4	SREW M16X1.5X80 mm	
5	METAL RUBBER BUSH (LONG) (Ø39mm)	
6	RING (Ø35 mm)	
7	PIN CAP	



<b>5M Nr.</b> 5M No.	9201.004.5	
<b>ORG. REF. NO</b>	K000696 - II310370066 - 0024200383 - 0980102970	
<b>APPLICATION</b> Uygulama	SB 7., SN 7...	
<b>DESCRIPTION</b> Açıklama	CALIPER REPAIR KIT KALİPER TAMİR TAKIMI	
1	GUIDE PIN Ø36X114 mm	
2	SREW M16X1.5X87 mm	
3	BUSH	
4	METAL CAP	
5	O-RING	
6	BOOT	
7	TEFLON RING	



<b>5M Nr.</b> 5M No.	9201.183.5	
<b>ORG. REF. NO</b>		
<b>APPLICATION</b> Uygulama	SB 6., SB 7., SN 7...	
<b>DESCRIPTION</b> Açıklama	CALIPER REPAIR KIT KALİPER TAMİR TAKIMI	
1	GUIDE PIN Ø34X80 mm	
2	SREW M16X1.5X87 mm	
3	RUBBER BUSH	
4	BOOT	
5	TEFLON RING	
6	BOOT	
7	CLAMP	

# FOR KNORR TYPE



① Guide pin  
② Srew  
③ Metal rubber bush (long)  
④ Boot  
⑤ Teflon ring  
⑥ Metal tap  
⑦ Pin cap  
⑧ Bush

<b>5M Nr.</b>	<b>9201.184.5</b>	
<b>5M No.</b>		
<b>ORG. REF. NO</b>		
<b>APPLICATION</b> Uygulama	SB 6..., SN 7...	
<b>DESCRIPTION</b> Açıklama	CALIPER REPAIR KIT KALİPER TAMİR TAKIMI	
<b>1</b>	GUIDE PIN Ø32X80 mm	<b>8</b> BUSH
<b>2</b>	SREW M16X1.5X80 mm	
<b>3</b>	METAL RUBBER BUSH (LONG) (Ø39 mm)	
<b>4</b>	BOOT	
<b>5</b>	TEFLON RING	
<b>6</b>	METAL TAP	
<b>7</b>	PIN CAP	



① Guide pin  
② Srew  
③ Metal rubber bush (long)  
④ Boot  
⑤ Teflon ring  
⑥ Metal tap  
⑦ Bush

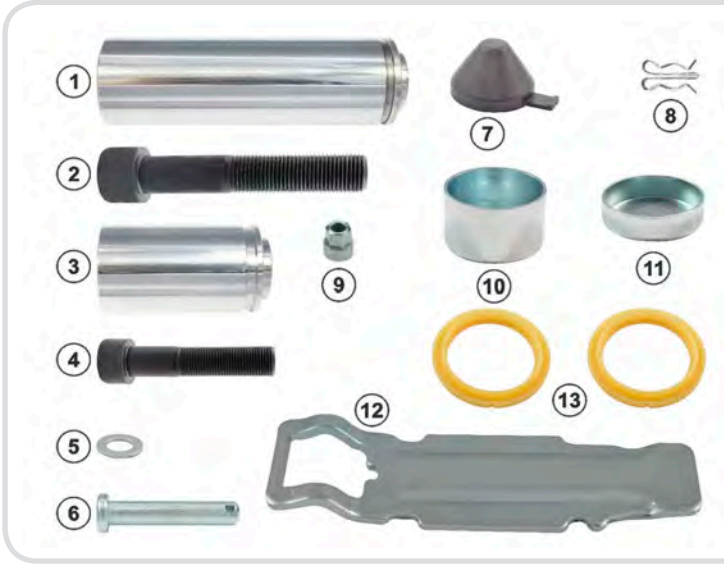
<b>5M Nr.</b>	<b>9201.185.5</b>	
<b>5M No.</b>		
<b>ORG. REF. NO</b>		
<b>APPLICATION</b> Uygulama	SN 6..., SN 7..., SK 7..., SL 7..., SM 7...	
<b>DESCRIPTION</b> Açıklama	CALIPER REPAIR KIT KALİPER TAMİR TAKIMI	
<b>1</b>	GUIDE PIN Ø32X88.5 mm	<b>7</b> BUSH
<b>2</b>	SREW M16X1.5X80 mm	
<b>3</b>	METAL RUBBER BUSH (LONG) (Ø39 mm)	
<b>4</b>	BOOT	
<b>5</b>	TEFLON RING	
<b>6</b>	METAL TAP	



① Guide pin  
② Srew  
③ Guide pin  
④ Srew  
⑤ Metal cap  
⑥ O-ring  
⑦ Pin cap  
⑧ Ring  
⑨ Metal rubber bush (long)  
⑩ Teflon ring  
⑪ Bush

<b>5M Nr.</b>	<b>9201.089.5</b>	
<b>5M No.</b>		
<b>ORG. REF. NO</b>	KCK.1.2	
<b>APPLICATION</b> Uygulama	SB 7...	
<b>DESCRIPTION</b> Açıklama	CALIPER REPAIR KIT (OLD MODEL) KALİPER TAMİR TAKIMI (ESKİ MODEL)	
<b>1</b>	GUIDE PIN Ø36X114 mm	<b>9</b> METAL RUBBER BUSH (LONG) (Ø35 mm)
<b>2</b>	SREW M16X1.5X87 mm	
<b>3</b>	GUIDE PIN Ø32X80 mm	<b>10</b> TEFLON RING
<b>4</b>	SREW M16X1.5X80 mm	<b>11</b> BUSH
<b>5</b>	METAL CAP	
<b>6</b>	O-RING	
<b>7</b>	PIN CAP	
<b>8</b>	RING (Ø39 mm)	

# FOR KNORR TYPE



<b>5M Nr.</b> 5M No.	9201.186.5	
<b>ORG. REF. NO</b>	K013007	
<b>APPLICATION</b> Uygulama	SK 7..., SN 7...	
<b>DESCRIPTION</b> Açıklama	CALIPER REPAIR KIT KALİPER TAMİR TAKIMI	
<b>1</b>	GUIDE PIN Ø36X114 mm	<b>9</b> CALIBRATION LOAF
<b>2</b>	SREW M16X1.5X87 mm	<b>10</b> METAL TAP
<b>3</b>	GUIDE PIN Ø36X64 mm	<b>11</b> METAL TAP
<b>4</b>	SREW M16X1.5X70 mm	<b>12</b> PAD RETAINER (20 mm)
<b>5</b>	WASHER	<b>13</b> TEFLON RING
<b>6</b>	DETENT PIN	
<b>7</b>	RUBBER CAP (Ø38 mm)	
<b>8</b>	COTTER PIN	



<b>5M Nr.</b> 5M No.	9201.187.5	
<b>ORG. REF. NO</b>	K060760	
<b>APPLICATION</b> Uygulama	SB 6..., SB 7...	
<b>DESCRIPTION</b> Açıklama	CALIPER REPAIR KIT KALİPER TAMİR TAKIMI	
<b>1</b>	GUIDE PIN Ø36X114 mm	<b>9</b> CALIBRATION LOAF
<b>2</b>	SREW M16X1.5X87 mm	<b>10</b> METAL TAP
<b>3</b>	GUIDE PIN Ø32X80 mm	<b>11</b> PAD RETAINER (20 mm)
<b>4</b>	SREW M16X1.5X80 mm	<b>12</b> TEFLON RING
<b>5</b>	WASHER	
<b>6</b>	DETENT PIN	
<b>7</b>	RUBBER CAP (Ø38 mm)	
<b>8</b>	COTTER PIN	



<b>5M Nr.</b> 5M No.	9201.188.5	
<b>ORG. REF. NO</b>	K060760	
<b>APPLICATION</b> Uygulama	SB 6..., SB 7...	
<b>DESCRIPTION</b> Açıklama	CALIPER REPAIR KIT KALİPER TAMİR TAKIMI	
<b>1</b>	GUIDE PIN Ø36X114 mm	<b>9</b> COTTER PIN
<b>2</b>	SREW M16X1.5X87 mm	<b>10</b> CALIBRATION LOAF
<b>3</b>	GUIDE PIN Ø32X88.5 mm	<b>11</b> DETENT PIN
<b>4</b>	SREW M16X1.5X80 mm	<b>12</b> TEFLON RING
<b>5</b>	METAL CAP	<b>13</b> RUBBER CAP (Ø38 mm)
<b>6</b>	O-RING	
<b>7</b>	PAD RETAINER (20 mm)	
<b>8</b>	WASHER	





# FOR KNORR TYPE



5M Nr. 9201.189.5  
5M No.

ORG. REF. NO K006018

APPLICATION SN 7...  
Uygulama

DESCRIPTION CALIPER REPAIR KIT  
Açıklama KALİPER TAMİR TAKIMI

1	GUIDE PIN Ø36X114 mm	9	COTTER PIN
2	SREW M16X1.5X87 mm	10	DETENT PIN
3	GUIDE PIN Ø32X80 mm	11	TEFLON RING
4	SREW M16X1.5X80 mm	12	RUBBER CAP (Ø38 mm)
5	METAL TAP		
6	PIN CAP		
7	PAD RETAINER (20 mm)		
8	WASHER		



5M Nr. 9201.190.5  
5M No.

ORG. REF. NO K048276

APPLICATION SB 7...  
Uygulama

DESCRIPTION CALIPER REPAIR KIT  
Açıklama KALİPER TAMİR TAKIMI

1	GUIDE PIN Ø36X114 mm	9	COTTER PIN
2	SREW M16X1.5X87 mm	10	CALIBRATION LOAF
3	GUIDE PIN Ø32X80 mm	11	DETENT PIN
4	SREW M16X1.5X80 mm	12	TEFLON RING
5	METAL CAP	13	RUBBER CAP (Ø38 mm)
6	O-RING		
7	PAD RETAINER (20 mm)		
8	WASHER		



5M Nr. 9201.191.5  
5M No.

ORG. REF. NO K048278

APPLICATION SN 6...  
Uygulama

DESCRIPTION CALIPER REPAIR KIT  
Açıklama KALİPER TAMİR TAKIMI

1	GUIDE PIN Ø36X114 mm	9	COTTER PIN
2	SREW M16X1.5X87 mm	10	CALIBRATION LOAF
3	GUIDE PIN Ø32X80 mm	11	DETENT PIN
4	SREW M16X1.5X80 mm	12	TEFLON RING
5	METAL TAP	13	RUBBER CAP (Ø38 mm)
6	PIN CAP		
7	PAD RETAINER (20 mm)		
8	WASHER		



# FOR KNORR TYPE



<b>5M Nr.</b> 5M No.	9201.192.5	
<b>ORG. REF. NO</b>	K003459	
<b>APPLICATION</b> Uygulama	SK 7..., N 7...	
<b>DESCRIPTION</b> Açıklama	CALIPER REPAIR KIT KALİPER TAMİR TAKIMI	
1	GUIDE PIN Ø36X103 mm	9 CALIBRATION LOAF
2	SREW M16X1.5X87 mm	10 DETENT PIN
3	GUIDE PIN Ø32X80 mm	11 TEFLON RING
4	SREW M16X1.5X80 mm	12 RUBBER CAP (Ø38 mm)
5	METAL TAP	
6	PAD RETAINER (25 mm)	
7	WASHER	
8	COTTER PIN	



<b>5M Nr.</b> 5M No.	9201.193.5	
<b>ORG. REF. NO</b>	K047473	
<b>APPLICATION</b> Uygulama	SB 7...	
<b>DESCRIPTION</b> Açıklama	CALIPER REPAIR KIT KALİPER TAMİR TAKIMI	
1	GUIDE PIN Ø36X114 mm	9 COTTER PIN
2	SREW M16X1.5X87 mm	10 CALIBRATION LOAF
3	GUIDE PIN Ø32X88.5 mm	11 DETENT PIN
4	SREW M16X1.5X80 mm	12 TEFLON RING
5	METAL CAP	
6	O-RING	
7	PAD RETAINER (20 mm)	
8	WASHER	



<b>5M Nr.</b> 5M No.	9201.194.5	
<b>ORG. REF. NO</b>		
<b>APPLICATION</b> Uygulama	SB 6..., SN 7...	
<b>DESCRIPTION</b> Açıklama	CALIPER REPAIR KIT KALİPER TAMİR TAKIMI	
1	TAPPET AND BOOT (74 mm)	9 RUBBER CAP (Ø38 mm)
2	BUSH	10 RUBBER TAP
3	DUST COVER	11 SEAL
4	BOOT	12 COVER GASKET
5	TEFLON RING	13 DUST COVER
6	BOOT	14 BRIDGE SPRING
7	CLAMP	
8	RUBBER BUSH	

# FOR KNORR TYPE



<b>5M Nr.</b> 5M No.	9201.195.5	
<b>ORG. REF. NO</b>		
<b>APPLICATION</b> Uygulama	SN 6.., SN 7.., SK 7...	
<b>DESCRIPTION</b> Açıklama	CALIPER REPAIR KIT KALİPER TAMİR TAKIMI	
1	TAPPET AND BOOT (69 mm)	9 CLAMP
2	BUSH	10 METAL CAP
3	DUST COVER	11 O-RING
4	BUSH	12 PIN CAP
5	RUBBER BUSH	13 RUBBER CAP (Ø38 mm)
6	BOOT	
7	TEFLON RING	
8	BOOT	



<b>5M Nr.</b> 5M No.	9201.196.5	
<b>ORG. REF. NO</b>		
<b>APPLICATION</b> Uygulama	SB 6.., SB 7...	
<b>DESCRIPTION</b> Açıklama	CALIPER REPAIR KIT KALİPER TAMİR TAKIMI	
1	TAPPET AND BOOT (74 mm)	9 TEFLON RING
2	DUST COVER	10 CLAMP
3	BUSH	11 O-RING
4	PIN CAP	12 RUBBER BUSH
5	RUBBER CAP (Ø38 mm)	13 BUSH
6	BOOT	
7	BOOT	
8	METAL CAP	



<b>5M Nr.</b> 5M No.	9201.197.5	
<b>ORG. REF. NO</b>		
<b>APPLICATION</b> Uygulama	SN...	
<b>DESCRIPTION</b> Açıklama	CALIPER REPAIR KIT KALİPER TAMİR TAKIMI	
1	TAPPET AND BOOT (69 mm)	
2	BUSH	
3	RUBBER BUSH	
4	BOOT	
5	TEFLON RING	
6	BOOT	
7	CLAMP	

# FOR KNORR TYPE



<b>5M Nr.</b> 5M No.	9201.198.5	
<b>ORG. REF. NO</b>		
<b>APPLICATION</b> Uygulama	SB...	
<b>DESCRIPTION</b> Açıklama	CALIPER REPAIR KIT KALİPER TAMİR TAKIMI	
<b>1</b>	TAPPET AND BOOT (74 mm)	
<b>2</b>	BUSH	
<b>3</b>	BOOT	
<b>4</b>	TEFLON RING	
<b>5</b>	BOOT	
<b>6</b>	CLAMP	
<b>7</b>	RUBBER BUSH	



<b>5M Nr.</b> 5M No.	9201.199.5	
<b>ORG. REF. NO</b>		
<b>APPLICATION</b> Uygulama	SN.5...	
<b>DESCRIPTION</b> Açıklama	CALIPER REPAIR KIT KALİPER TAMİR TAKIMI	
<b>1</b>	TAPPET AND BOOT (69 mm)	
<b>2</b>	DUST COVER	
<b>3</b>	BUSH	
<b>4</b>	BOOT	
<b>5</b>	RUBBER BUSH	
<b>6</b>	CLAMP	
<b>7</b>	BOOT	
<b>8</b>	TEFLON RING	



<b>5M Nr.</b> 5M No.	9201.057.5	
<b>ORG. REF. NO</b>	II368470064 - II339830064 - 1448910	
<b>APPLICATION</b> Uygulama	SB.5..., SB 6..., SB 7...	
<b>DESCRIPTION</b> Açıklama	CALIPER REPAIR KIT KALİPER TAMİR TAKIMI	
<b>1</b>	GUIDE PIN Ø34X80 mm	
<b>2</b>	SREW M16X1.5X87 mm	
<b>3</b>	RUBBER BUSH	



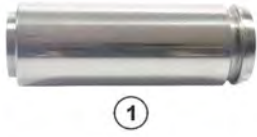
# FOR KNORR TYPE



<b>5M Nr.</b> 5M No.	9201.200.5	
<b>ORG. REF. NO</b>		
<b>APPLICATION</b> Uygulama	SB.5., SB 6., SB 7...	
<b>DESCRIPTION</b> Açıklama	CALIPER REPAIR KIT KALİPER TAMİR TAKIMI	
<b>1</b>	GUIDE PIN Ø34X80 mm	
<b>2</b>	RUBBER BUSH	



<b>5M Nr.</b> 5M No.	9201.055.5	
<b>ORG. REF. NO</b>	K000697	
<b>APPLICATION</b> Uygulama	ALL SB., SN., SK...	
<b>DESCRIPTION</b> Açıklama	CALIPER REPAIR KIT KALİPER TAMİR TAKIMI	
<b>1</b>	GUIDE PIN Ø32X80 mm	<b>4</b> PIN CAP
<b>2</b>	SREW M16X1.5X80 mm	
<b>3</b>	METAL RUBBER BUSH (LONG) (Ø39mm)	



<b>5M Nr.</b> 5M No.	9201.201.5	
<b>ORG. REF. NO</b>		
<b>APPLICATION</b> Uygulama	ALL SB., SN., SK., SL., SM...	
<b>DESCRIPTION</b> Açıklama	CALIPER REPAIR KIT (NEW MODEL) KALİPER TAMİR TAKIMI (YENİ MODEL)	
<b>1</b>	GUIDE PIN Ø32X88.5 mm	
<b>2</b>	SREW M16X1.5X80 mm	
<b>3</b>	METAL RUBBER BUSH (LONG) (Ø39mm)	



<b>5M Nr.</b> 5M No.	9201.056.5	
<b>ORG. REF. NO</b>	K000698	
<b>APPLICATION</b> Uygulama	SB...	
<b>DESCRIPTION</b> Açıklama	CALIPER REPAIR KIT KALİPER TAMİR TAKIMI	
<b>1</b>	GUIDE PIN Ø32X80 mm	<b>4</b> PIN CAP
<b>2</b>	SREW M16X1.5X80 mm	
<b>3</b>	METAL RUBBER BUSH (LONG) (Ø35mm)	



# FOR KNORR TYPE



<b>5M Nr.</b> 5M No.	9201.202.5
<b>ORG. REF. NO</b>	
<b>APPLICATION</b> Uygulama	SB...
<b>DESCRIPTION</b> Açıklama	CALIPER REPAIR KIT (NEW MODEL) KALİPER TAMİR TAKIMI (YENİ MODEL)
<b>1</b>	GUIDE PIN Ø32X88.5 mm
<b>2</b>	SREW M16X1.5X80 mm
<b>3</b>	METAL RUBBER BUSH (LONG) (Ø35mm)



<b>5M Nr.</b> 5M No.	9201.203.5
<b>ORG. REF. NO</b>	
<b>APPLICATION</b> Uygulama	ALL SB..., SN..., SK...
<b>DESCRIPTION</b> Açıklama	CALIPER REPAIR KIT KALİPER TAMİR TAKIMI
<b>1</b>	GUIDE PIN Ø32X80 mm
<b>2</b>	METAL RUBBER BUSH (LONG) (Ø39mm)
<b>3</b>	PIN CAP



<b>5M Nr.</b> 5M No.	9201.204.5
<b>ORG. REF. NO</b>	
<b>APPLICATION</b> Uygulama	ALL SB..., SN..., SK..., SL..., SM...
<b>DESCRIPTION</b> Açıklama	CALIPER REPAIR KIT (NEW MODEL) KALİPER TAMİR TAKIMI (YENİ MODEL)
<b>1</b>	GUIDE PIN Ø32X88.5 mm
<b>2</b>	METAL RUBBER BUSH (LONG) (Ø39mm)



<b>5M Nr.</b> 5M No.	9201.205.5
<b>ORG. REF. NO</b>	
<b>APPLICATION</b> Uygulama	SB...
<b>DESCRIPTION</b> Açıklama	CALIPER REPAIR KIT KALİPER TAMİR TAKIMI
<b>1</b>	GUIDE PIN Ø32X80 mm
<b>2</b>	METAL RUBBER BUSH (LONG) (Ø35mm)
<b>3</b>	PIN CAP



# FOR KNORR TYPE



①



②

<b>5M Nr.</b> 5M No.	9201.206.5
<b>ORG. REF. NO</b>	
<b>APPLICATION</b> Uygulama	SB...
<b>DESCRIPTION</b> Açıklama	CALIPER REPAIR KIT (NEW MODEL) KALİPER TAMİR TAKIMI (YENİ MODEL)
<b>1</b>	GUIDE PIN Ø32X88.5 mm
<b>2</b>	METAL RUBBER BUSH (LONG) (Ø35mm)



①



③



②

<b>5M Nr.</b> 5M No.	9201.207.5
<b>ORG. REF. NO</b>	SN 6..., SN 7...
<b>APPLICATION</b> Uygulama	
<b>DESCRIPTION</b> Açıklama	CALIPER REPAIR KIT KALİPER TAMİR TAKIMI
<b>1</b>	GUIDE PIN Ø32X80 mm
<b>2</b>	SREW M16X1.5X80 mm
<b>3</b>	METAL RUBBER BUSH (SHORT) (Ø39mm)



①



②

<b>5M Nr.</b> 5M No.	9201.208.5
<b>ORG. REF. NO</b>	
<b>APPLICATION</b> Uygulama	SN 6..., SN 7...
<b>DESCRIPTION</b> Açıklama	CALIPER REPAIR KIT KALİPER TAMİR TAKIMI
<b>1</b>	GUIDE PIN Ø32X80 mm
<b>2</b>	METAL RUBBER BUSH (SHORT) (Ø39mm)



①



③



②

<b>5M Nr.</b> 5M No.	9201.209.5
<b>ORG. REF. NO</b>	
<b>APPLICATION</b> Uygulama	SB 6..., SB 7...
<b>DESCRIPTION</b> Açıklama	CALIPER REPAIR KIT KALİPER TAMİR TAKIMI
<b>1</b>	GUIDE PIN Ø32X80 mm
<b>2</b>	SREW M16X1.5X80 mm
<b>3</b>	METAL RUBBER BUSH (SHORT) (Ø35mm)

# FOR KNORR TYPE



<b>5M Nr.</b> 5M No.	9201.210.5
<b>ORG. REF. NO</b>	
<b>APPLICATION</b> Uygulama	SB 6..., SB 7...
<b>DESCRIPTION</b> Açıklama	CALIPER REPAIR KIT KALİPER TAMİR TAKIMI
<b>1</b>	GUIDE PIN Ø32X80 mm
<b>2</b>	METAL RUBBER BUSH (SHORT) (Ø35mm)



<b>5M Nr.</b> 5M No.	9201.211.5
<b>ORG. REF. NO</b>	
<b>APPLICATION</b> Uygulama	ALL SB..., SN..., SK..., SL..., SM...
<b>DESCRIPTION</b> Açıklama	CALIPER METAL - RUBBER BUSH KALİPER METAL - KAUCUK BURÇ
<b>1</b>	METAL RUBBER BUSH (LONG) (Ø39mm)



<b>5M Nr.</b> 5M No.	9201.212.5
<b>ORG. REF. NO</b>	
<b>APPLICATION</b> Uygulama	SB...
<b>DESCRIPTION</b> Açıklama	CALIPER METAL - RUBBER BUSH KALİPER METAL - KAUCUK BURÇ
<b>1</b>	METAL RUBBER BUSH (LONG) (Ø35mm)



<b>5M Nr.</b> 5M No.	9201.213.5
<b>ORG. REF. NO</b>	
<b>APPLICATION</b> Uygulama	SN...
<b>DESCRIPTION</b> Açıklama	CALIPER METAL - RUBBER BUSH KALİPER METAL - KAUCUK BURÇ
<b>1</b>	METAL RUBBER BUSH (SHORT) (Ø39mm)



# FOR KNORR TYPE



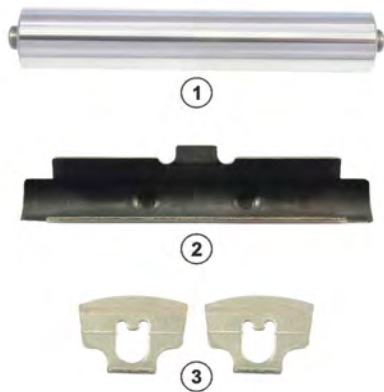
<b>5M Nr.</b> 5M No.	9201.214.5
<b>ORG. REF. NO</b>	
<b>APPLICATION</b> Uygulama	SB 6., SB 7...
<b>DESCRIPTION</b> Açıklama	CALIPER METAL - RUBBER BUSH KALİPER METAL - KAÜÇUK BURÇ
<b>1</b>	METAL RUBBER BUSH (SHORT) (Ø35mm)



<b>5M Nr.</b> 5M No.	9201.215.5
<b>ORG. REF. NO</b>	
<b>APPLICATION</b> Uygulama	SB 6., SB 7...
<b>DESCRIPTION</b> Açıklama	CALIPER METAL - RUBBER BUSH KALİPER METAL - KAÜÇUK BURÇ
<b>1</b>	METAL RUBBER BUSH (SHORT)



<b>5M Nr.</b> 5M No.	9201.071.5
<b>ORG. REF. NO</b>	
<b>APPLICATION</b> Uygulama	ALL SB., SN., SK., SL., SM...
<b>DESCRIPTION</b> Açıklama	CALIPER LEVEL BEARING KALİPER KOL YATAĞI
<b>1</b>	LEVEL BEARING



<b>5M Nr.</b> 5M No.	9201.078.5
<b>ORG. REF. NO</b>	
<b>APPLICATION</b> Uygulama	SB 6., SB 7., SN 6., SN 7...
<b>DESCRIPTION</b> Açıklama	CALIPER LEVEL BEARING KIT KALİPER KOL YATAĞI TM. TK.
<b>1</b>	LEVEL PIN
<b>2</b>	LEVEL BEARING
<b>3</b>	METAL SHEET



# FOR KNORR TYPE



<b>5M Nr.</b> 5M No.	9201.012.5
<b>ORG. REF. NO</b>	K001301 - 81508226025
<b>APPLICATION</b> Uygulama	SB 7..., SN 7...
<b>DESCRIPTION</b> Açıklama	CALIPER BOOT AND METAL CAP REPAIR KIT KALİPER KÖRÜK VE METAL KAPAK TM.TK.
<b>1</b>	METAL CAP
<b>2</b>	O-RING
<b>3</b>	BOOT
<b>4</b>	CLAMP



<b>5M Nr.</b> 5M No.	9201.026.5
<b>ORG. REF. NO</b>	II39769F0063 - SAF 3 434 3806 00
<b>APPLICATION</b> Uygulama	SB 7..., SN 7...
<b>DESCRIPTION</b> Açıklama	CALIPER METAL CAP KIT KALİPER METAL KAPAK TM. TK.
<b>1</b>	METAL CAP
<b>2</b>	O-RING



<b>5M Nr.</b> 5M No.	9201.009.5
<b>ORG. REF. NO</b>	K000945 - II17934004 - 81508226024 - 14394993
<b>APPLICATION</b> Uygulama	ALL SB..., SN..., SK..., SL..., SM...
<b>DESCRIPTION</b> Açıklama	CALIPER ADJUSTING MECHANISM CAP SET KALİPER AYAR MEKANİZMASI KAPAK SETİ
<b>1</b>	RUBBER CAP (Ø38 mm)
<b>2</b>	RUBBER TAP
<b>3</b>	CALIBRATION LOAF



<b>5M Nr.</b> 5M No.	9201.008.5
<b>ORG. REF. NO</b>	K000029 - 0004234687 - 81508226021
<b>APPLICATION</b> Uygulama	ALL SB..., SN..., SK..., SL..., SM...
<b>DESCRIPTION</b> Açıklama	CALIPER ADJUSTING MECHANISM CAP SET KALİPER AYAR MEKANİZMASI KAPAK SETİ
<b>1</b>	RUBBER CAP (Ø38 mm)
<b>2</b>	CALIBRATION LOAF



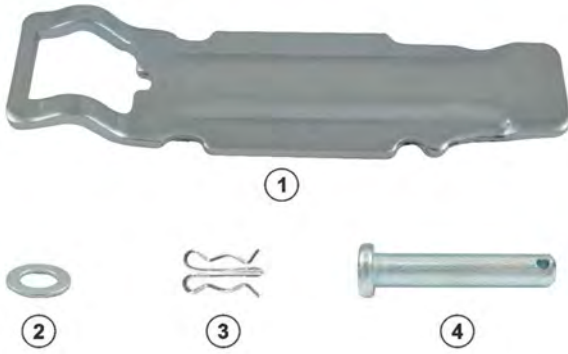
# FOR KNORR TYPE



<b>5M Nr.</b> 5M No.	9201.050.5	
<b>ORG. REF. NO</b>	K003902	
<b>APPLICATION</b> Uygulama	SN 6..., SN 7..., SK 7...	
<b>DESCRIPTION</b> Açıklama	CALIPER ADJUSTING MECHANISM CAP SET KALİPER AYAR MEKANİZMASI KAPAK SETİ	
1	RUBBER CAP (Ø35 mm)	
2	CALIBRATION LOAF	



<b>5M Nr.</b> 5M No.	9201.216.5	
<b>ORG. REF. NO</b>		
<b>APPLICATION</b> Uygulama	SB 7..., SN 7...	
<b>DESCRIPTION</b> Açıklama	CALIPER PAD RETAINER REPAIR KIT KALİPER BALATA TUTUCU TM.TK.	
1	PAD RETAINER (20 mm)	5 RUBBER CAP (Ø38 mm)
2	WASHER	6 RUBBER TAP
3	COTTER PIN	7 CALIBRATION LOAF
4	DETENT PIN	

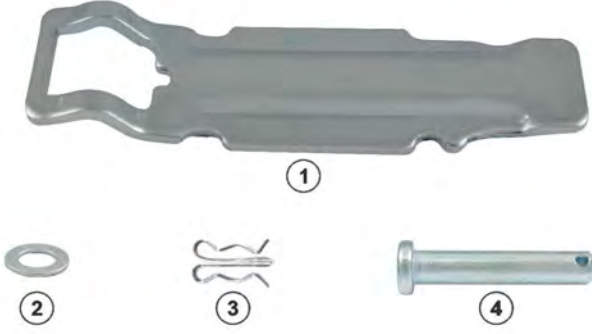


<b>5M Nr.</b> 5M No.	9201.086.5	
<b>ORG. REF. NO</b>	K000133	
<b>APPLICATION</b> Uygulama	SN.5..., SB 6..., SN 6..., SK 7...	
<b>DESCRIPTION</b> Açıklama	CALIPER PAD RETAINER REPAIR KIT KALİPER BALATA TUTUCU TM.TK.	
1	PAD RETAINER (25 mm)	
2	WASHER	
3	COTTER PIN	
4	DETENT PIN	



<b>5M Nr.</b> 5M No.	9201.217.5	
<b>ORG. REF. NO</b>		
<b>APPLICATION</b> Uygulama	ALL SB..., SN..., SK..., SL..., SM...	
<b>DESCRIPTION</b> Açıklama	CALIPER PAD RETAINER REPAIR KIT KALİPER BALATA TUTUCU TM.TK.	
1	RUBBER CAP (Ø38 mm)	5 RUBBER TAP
2	WASHER	6 CALIBRATION LOAF
3	COTTER PIN	
4	DETENT PIN	

# FOR KNORR TYPE



<b>5M Nr.</b> 5M No.	9201.084.5	
<b>ORG. REF. NO</b>	II19712004- K000129 - 6274200186 - 0004202482	
<b>APPLICATION</b> Uygulama	SB 7..., SN 7...	
<b>DESCRIPTION</b> Açıklama	CALIPER PAD RETAINER REPAIR KIT KALİPER BALATA TUTUCU TM.TK.	
1	PAD RETAINER (20 mm)	
2	WASHER (Ø10.65x17.75x1.60 mm)	
3	COTTER PIN (Ø3 mm)	
4	DETENT PIN (Ø10x52 mm)	



<b>5M Nr.</b> 5M No.	9201.218.5		
<b>ORG. REF. NO</b>	II40929F		
<b>APPLICATION</b> Uygulama	SN 6..., SN 7...		
<b>DESCRIPTION</b> Açıklama	CALIPER REPAIR KIT KALİPER TAMİR TAKIMI		
1	DETENT PIN	5	PIN CAP
2	WASHER	6	RUBBER CAP (Ø38 mm)
3	COTTER PIN	7	TEFLON RING
4	CALIBRATION LOAF		



<b>5M Nr.</b> 5M No.	9201.219.5		
<b>ORG. REF. NO</b>	II40699F		
<b>APPLICATION</b> Uygulama	SB 6..., SB 7..., SN 6...		
<b>DESCRIPTION</b> Açıklama	CALIPER REPAIR KIT KALİPER TAMİR TAKIMI		
1	DETENT PIN	5	O-RING
2	WASHER	6	RUBBER CAP (Ø38 mm)
3	COTTER PIN	7	TEFLON RING
4	CALIBRATION LOAF		



<b>5M Nr.</b> 5M No.	9201.220.5		
<b>ORG. REF. NO</b>	II40875F		
<b>APPLICATION</b> Uygulama	SN 6...		
<b>DESCRIPTION</b> Açıklama	CALIPER REPAIR KIT KALİPER TAMİR TAKIMI		
1	DETENT PIN	5	RUBBER CAP (Ø38 mm)
2	WASHER	6	TEFLON RING
3	COTTER PIN		
4	CALIBRATION LOAF		

# FOR KNORR TYPE



<b>5M Nr.</b> 5M No.	9201.221.5	
<b>ORG. REF. NO</b>	K047474	
<b>APPLICATION</b> Uygulama	SB 7...	
<b>DESCRIPTION</b> Açıklama	CALIPER REPAIR KIT KALİPER TAMİR TAKIMI	
1	DETENT PIN	5
2	WASHER	
3	COTTER PIN	
4	O-RING	
		5
		TEFLON RING



<b>5M Nr.</b> 5M No.	9201.222.5	
<b>ORG. REF. NO</b>		
<b>APPLICATION</b> Uygulama	ALL SB..., SN..., SK..., SL..., SM...	
<b>DESCRIPTION</b> Açıklama	CAP AND TAP REPAIR KIT KAPAK VE TAPA TAMİR TAKIMI	
1	RUBBER CAP (Ø38 mm)	
2	RUBBER CAP (Ø35 mm)	
3	RUBBER TAP	
4	CALIBRATION LOAF	



<b>5M Nr.</b> 5M No.	9201.223.5	
<b>ORG. REF. NO</b>		
<b>APPLICATION</b> Uygulama	SB 6..., SB 7..., SN 7...	
<b>DESCRIPTION</b> Açıklama	CALIPER REPAIR KIT KALİPER TAMİR TAKIMI	
1	BOOT	5
2	RUBBER BUSH	
3	BOOT	
4	CLAMP	
		5
		TEFLON RING



<b>5M Nr.</b> 5M No.	9201.224.5	
<b>ORG. REF. NO</b>		
<b>APPLICATION</b> Uygulama	SB..., SN...	
<b>DESCRIPTION</b> Açıklama	CALIPER REPAIR KIT KALİPER TAMİR TAKIMI	
1	BOOT	
2	TEFLON RING	
3	BOOT	
4	CLAMP	



# FOR KNORR TYPE



<b>5M Nr.</b> 5M No.	9201.225.5	
<b>ORG. REF. NO</b>	II328090061	
<b>APPLICATION</b> Uygulama	SB., SN...	
<b>DESCRIPTION</b> Açıklama	CALIPER REPAIR KIT KALİPER TAMİR TAKIMI	
1	BOOT	5 RUBBER CAP (Ø38 mm)
2	TEFLON RING	
3	BOOT	
4	CLAMP	



<b>5M Nr.</b> 5M No.	9201.226.5	
<b>ORG. REF. NO</b>		
<b>APPLICATION</b> Uygulama	SB 6., SB 7...	
<b>DESCRIPTION</b> Açıklama	CALIPER REPAIR KIT KALİPER TAMİR TAKIMI	
1	BOOT	
2	METAL CAP	
3	CLAMP	
4	O-RING	



<b>5M Nr.</b> 5M No.	9201.227.5	
<b>ORG. REF. NO</b>	II350470063	
<b>APPLICATION</b> Uygulama	SB...	
<b>DESCRIPTION</b> Açıklama	CALIPER REPAIR KIT KALİPER TAMİR TAKIMI	
1	BOOT	
2	CLAMP	



<b>5M Nr.</b> 5M No.	9201.228.5	
<b>ORG. REF. NO</b>	K561521 - II344730063 - 1448600	
<b>APPLICATION</b> Uygulama	SB 7...	
<b>DESCRIPTION</b> Açıklama	CALIPER REPAIR KIT KALİPER TAMİR TAKIMI	
1	BOOT	
2	CLAMP	



# FOR KNORR TYPE



<b>5M Nr.</b> 5M No.	9201.229.5
<b>ORG. REF. NO</b>	II197140063
<b>APPLICATION</b> Uygulama	SB 7..., SB 6...
<b>DESCRIPTION</b> Açıklama	CALIPER REPAIR KIT KALİPER TAMİR TAKIMI
<b>1</b>	RUBBER TAP
<b>2</b>	CLAMP



<b>5M Nr.</b> 5M No.	9201.230.5
<b>ORG. REF. NO</b>	
<b>APPLICATION</b> Uygulama	SB...
<b>DESCRIPTION</b> Açıklama	CALIPER REPAIR KIT KALİPER TAMİR TAKIMI
<b>1</b>	METAL CAP
<b>2</b>	O-RING
<b>3</b>	BOOT
<b>4</b>	TEFLON RING



<b>5M Nr.</b> 5M No.	9201.231.5
<b>ORG. REF. NO</b>	Z004357
<b>APPLICATION</b> Uygulama	ALL SB..., SN..., SK..., SL..., SM...
<b>DESCRIPTION</b> Açıklama	CALIPER REPAIR KIT KALİPER TAMİR TAKIMI
<b>1</b>	BOOT
<b>2</b>	TEFLON RING



<b>5M Nr.</b> 5M No.	9201.232.5
<b>ORG. REF. NO</b>	
<b>APPLICATION</b> Uygulama	SB., SN...
<b>DESCRIPTION</b> Açıklama	CALIPER DUST COVER KALİPER TOZ KAPAĞI
<b>1</b>	DUST COVER

# FOR KNORR TYPE



<b>5M Nr.</b> 5M No.	9201.233.5
<b>ORG. REF. NO</b>	
<b>APPLICATION</b> Uygulama	SB., SN...
<b>DESCRIPTION</b> Açıklama	CALIPER RUBBER TAP KALİPER KAUÇUK TAPA
<b>1</b>	RUBBER TAP



<b>5M Nr.</b> 5M No.	9201.234.5
<b>ORG. REF. NO</b>	
<b>APPLICATION</b> Uygulama	
<b>DESCRIPTION</b> Açıklama	CALIPER SEAL KALİPER KAPAK
<b>1</b>	SEAL (Ø42 mm)



<b>5M Nr.</b> 5M No.	9201.235.5
<b>ORG. REF. NO</b>	
<b>APPLICATION</b> Uygulama	
<b>DESCRIPTION</b> Açıklama	CALIPER SEAL KALİPER KAPAK
<b>1</b>	SEAL (Ø45 mm)



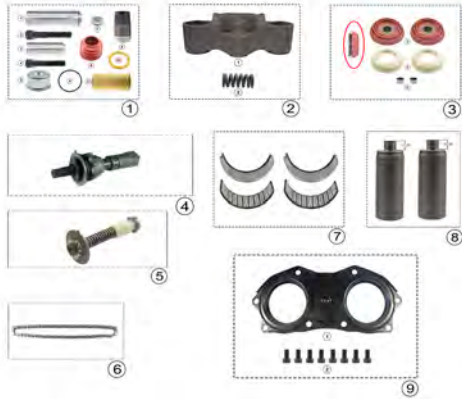
<b>5M Nr.</b> 5M No.	9201.087.5
<b>ORG. REF. NO</b>	
<b>APPLICATION</b> Uygulama	SB 6., SB 7...
<b>DESCRIPTION</b> Açıklama	CALIPER METAL TAP KALİPER METAL TAPA
<b>1</b>	METAL TAP Ø40x11 mm



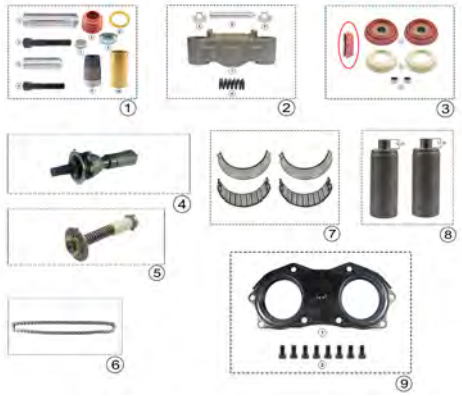
# FOR KNORR TYPE



<b>5M Nr.</b> 5M No.	9201.236.5	
<b>ORG. REF. NO</b>		
<b>APPLICATION</b> Uygulama	SK 7..., SN 7...	
<b>DESCRIPTION</b> Açıklama	CALIPER METAL TAP KALİPER METAL TAPA	
<b>1</b>	METAL TAP Ø40x14 mm	



<b>5M Nr.</b> 5M No.	9201.106.5	
<b>ORG. REF. NO</b>		
<b>APPLICATION</b> Uygulama	SN6, SN7, SK7	
<b>DESCRIPTION</b> Açıklama	CALIPER REPAIR KIT KALİPER TAMİR TAKIMI	
<b>1</b>	9201.006.5	<b>6</b> 9201.029.5
<b>2</b>	9201.128.5	<b>7</b> 9201.072.5
<b>3</b>	9201.001.5	<b>8</b> 9201.244.5
<b>4</b>	9201.247.5	<b>9</b> 9201.073.5
<b>5</b>	9201.034.5	



<b>5M Nr.</b> 5M No.	9201.107.5	
<b>ORG. REF. NO</b>		
<b>APPLICATION</b> Uygulama	SN6, SN7, SK7	
<b>DESCRIPTION</b> Açıklama	CALIPER REPAIR KIT KALİPER TAMİR TAKIMI	
<b>1</b>	9201.007.5	<b>6</b> 9201.029.5
<b>2</b>	9201.122.5	<b>7</b> 9201.030.5
<b>3</b>	9201.001.5	<b>8</b> 9201.244.5
<b>4</b>	9201.247.5	<b>9</b> 9201.073.5
<b>5</b>	9201.034.5	





**FOR MERITOR TYPE**

# FOR MERITOR TYPE



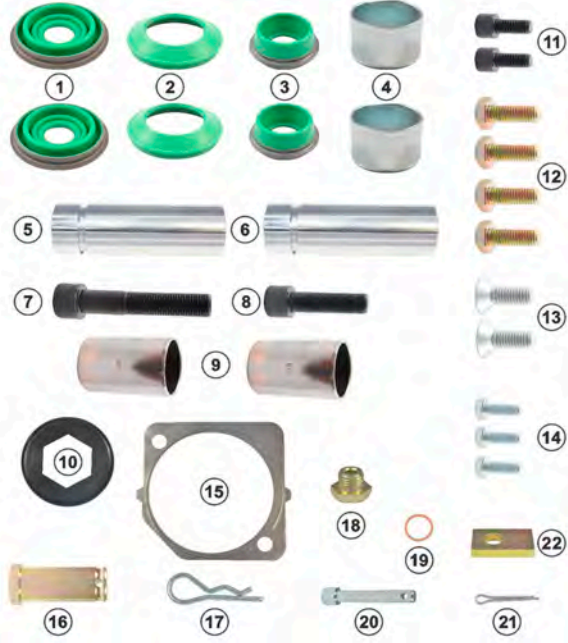
<b>5M Nr.</b> 5M No.	9202.116.5
<b>ORG. REF. NO</b>	
<b>APPLICATION</b> Uygulama	DX195
<b>DESCRIPTION</b> Açıklama	CALIPER COMPLETE OVERHAUL REP. KIT (LEFT) KALİPER KOMPLE TAMİR TAKIMI (SOL)



<b>5M Nr.</b> 5M No.	9202.117.5
<b>ORG. REF. NO</b>	
<b>APPLICATION</b> Uygulama	DX195
<b>DESCRIPTION</b> Açıklama	CALIPER COMPLETE OVERHAUL REP. KIT (RIGHT) KALİPER KOMPLE TAMİR TAKIMI (SAĞ)



# FOR MERITOR TYPE



<b>5M Nr.</b> 5M No.	9202.118.5		
<b>ORG. REF. NO</b>			
<b>APPLICATION</b> Uygulama	DX195		
<b>DESCRIPTION</b> Açıklama	CALIPER REPAIR KIT KALİPER TAMİR TAKIMI		
<b>1</b>	BOOT	<b>13</b>	SCREW M12x30 mm FT
<b>2</b>	DUST COVER	<b>14</b>	SCREW M8x20 mm
<b>3</b>	BOOT	<b>15</b>	GASKET
<b>4</b>	METAL TAP	<b>16</b>	DETTENT PIN
<b>5</b>	GUIDE PIN Ø32x97 mm	<b>17</b>	COTTER PIN
<b>6</b>	GUIDE PIN Ø32x97 mm	<b>18</b>	SCREW
<b>7</b>	SCREW M16x1.5x80 mm	<b>19</b>	WASHER
<b>8</b>	SCREW M16x1.5x55 mm	<b>20</b>	DETTENT PIN
<b>9</b>	BUSH	<b>21</b>	COTTER PIN
<b>10</b>	DUST COVER	<b>22</b>	METAL SHIM
<b>11</b>	SCREW M10x20 mm		
<b>12</b>	SCREW M12x30 mm		



<b>5M Nr.</b> 5M No.	9202.119.5		
<b>ORG. REF. NO</b>	MCK1261		
<b>APPLICATION</b> Uygulama	DX225		
<b>DESCRIPTION</b> Açıklama	CALIPER REPAIR KIT KALİPER TAMİR TAKIMI		
<b>1</b>	BOOT	<b>13</b>	SCREW M12x30 mm FT
<b>2</b>	DUST COVER	<b>14</b>	SCREW M8x20 mm
<b>3</b>	BOOT	<b>15</b>	GASKET
<b>4</b>	METAL TAP	<b>16</b>	DETTENT PIN
<b>5</b>	GUIDE PIN Ø32x93.5 mm	<b>17</b>	COTTER PIN
<b>6</b>	GUIDE PIN Ø32x93.5 mm	<b>18</b>	SCREW
<b>7</b>	SCREW M16x1.5x80 mm	<b>19</b>	WASHER
<b>8</b>	SCREW M16x1.5x55 mm	<b>20</b>	DETTENT PIN
<b>9</b>	BUSH	<b>21</b>	COTTER PIN
<b>10</b>	DUST COVER	<b>22</b>	METAL SHIM
<b>11</b>	SCREW M10x20 mm		
<b>12</b>	SCREW M12x30 mm		



# FOR MERITOR TYPE



<b>5M Nr.</b>		9202.104.5	
5M No.			
<b>ORG. REF. NO</b>			
<b>APPLICATION</b> Uygulama		DX195	
<b>DESCRIPTION</b> Açıklama		CALIPER REPAIR KIT KALİPER TAMİR TAKIMI	
1	BOOT	13	SCREW M12x30 mm FT
2	DUST COVER	14	SCREW M8x20 mm
3	BOOT	15	WASHER
4	METAL TAP	16	SCREW
5	GUIDE PIN Ø32x97 mm	17	GASKET
6	GUIDE PIN Ø32x97 mm		
7	SCREW M16x1.5x80 mm		
8	SCREW M16x1.5x55 mm		
9	BUSH		
10	DUST COVER		
11	SCREW M10x20 mm		
12	SCREW M12x30 mm		



<b>5M Nr.</b>		9202.020.5	
5M No.			
<b>ORG. REF. NO</b>		MCK1171	
<b>APPLICATION</b> Uygulama		DX195	
<b>DESCRIPTION</b> Açıklama		CALIPER REPAIR KIT KALİPER TAMİR TAKIMI	
1	BOOT	13	SCREW
2	DUST COVER	14	WASHER
3	BOOT	15	SCREW M10x20 mm
4	METAL TAP		
5	GUIDE PIN Ø32x97 mm		
6	GUIDE PIN Ø32x97 mm		
7	SCREW M16x1.5x80 mm		
8	SCREW M16x1.5x55 mm		
9	BUSH		
10	PIN		
11	DETTENT PIN		
12	COTTER PIN		

# FOR MERITOR TYPE



<b>5M Nr.</b> 5M No.	9202.120.5		
<b>ORG. REF. NO</b>			
<b>APPLICATION</b> Uygulama	DX225		
<b>DESCRIPTION</b> Açıklama	CALIPER REPAIR KIT KALİPER TAMİR TAKIMI		
<b>1</b>	BOOT	<b>13</b>	SCREW
<b>2</b>	DUST COVER	<b>14</b>	WASHER
<b>3</b>	BOOT	<b>15</b>	SCREW M10x20 mm
<b>4</b>	METAL TAP		
<b>5</b>	GUIDE PIN Ø32x93.5 mm		
<b>6</b>	GUIDE PIN Ø32x93.5 mm		
<b>7</b>	SCREW M16x1.5x80 mm		
<b>8</b>	SCREW M16x1.5x55 mm		
<b>9</b>	BUSH		
<b>10</b>	PIN		
<b>11</b>	DETTENT PIN		
<b>12</b>	COTTER PIN		



<b>5M Nr.</b> 5M No.	9202.121.5		
<b>ORG. REF. NO</b>	DSB7		
<b>APPLICATION</b> Uygulama	DX195		
<b>DESCRIPTION</b> Açıklama	CALIPER REPAIR KIT KALİPER TAMİR TAKIMI		
<b>1</b>	BOOT		
<b>2</b>	METAL TAP		
<b>3</b>	GUIDE PIN Ø32x97 mm		
<b>4</b>	SCREW M16x1.5x80 mm		
<b>5</b>	GUIDE PIN Ø32x97 mm		
<b>6</b>	SCREW M16x1.5x55 mm		
<b>7</b>	BUSH		
<b>8</b>	SCREW		
<b>9</b>	WASHER		
<b>10</b>	DETTENT PIN		
<b>11</b>	COTTER PIN		

# FOR MERITOR TYPE



<b>5M Nr.</b> 5M No.	9202.122.5		
<b>ORG. REF. NO</b>			
<b>APPLICATION</b> Uygulama	DX225		
<b>DESCRIPTION</b> Açıklama	CALIPER REPAIR KIT KALİPER TAMİR TAKIMI		
1	BOOT	9	WASHER
2	METAL TAP	10	DETTENT PIN
3	GUIDE PIN Ø32x93.5 mm	11	COTTER PIN
4	SCREW M16x1.5x80 mm		
5	GUIDE PIN Ø32x93.5 mm		
6	SCREW M16x1.5x55 mm		
7	BUSH		
8	SCREW		



<b>5M Nr.</b> 5M No.	9202.123.5		
<b>ORG. REF. NO</b>			
<b>APPLICATION</b> Uygulama	DX195		
<b>DESCRIPTION</b> Açıklama	CALIPER REPAIR KIT KALİPER TAMİR TAKIMI		
1	GUIDE PIN Ø32x97 mm		
2	SCREW M16x1.5x80 mm		
3	GUIDE PIN Ø32x97 mm		
4	SCREW M16x1.5x55 mm		
5	BUSH		
6	METAL TAP		



<b>5M Nr.</b> 5M No.	9202.124.5		
<b>ORG. REF. NO</b>			
<b>APPLICATION</b> Uygulama	DX225		
<b>DESCRIPTION</b> Açıklama	CALIPER REPAIR KIT KALİPER TAMİR TAKIMI		
1	GUIDE PIN Ø32x93.5 mm		
2	SCREW M16x1.5x80 mm		
3	GUIDE PIN Ø32x93.5 mm		
4	SCREW M16x1.5x55 mm		
5	BUSH		
6	METAL TAP		

# FOR MERITOR TYPE



<b>5M Nr.</b> 5M No.	9202.125.5	
<b>ORG. REF. NO</b>		
<b>APPLICATION</b> Uygulama	DX195	
<b>DESCRIPTION</b> Açıklama	CALIPER REPAIR KIT KALİPER TAMİR TAKIMI	
<b>1</b>	BOOT	<b>5</b> SCREW M12x30 mm
<b>2</b>	DUST COVER	<b>6</b> SCREW M12x30 mm FT
<b>3</b>	BOOT	<b>7</b> SCREW M10x20 mm
<b>4</b>	METAL TAP	<b>8</b> SCREW M8x20 mm



<b>5M Nr.</b> 5M No.	9202.126.5	
<b>ORG. REF. NO</b>	MCK1193	
<b>APPLICATION</b> Uygulama	DX225	
<b>DESCRIPTION</b> Açıklama	CALIPER REPAIR KIT KALİPER TAMİR TAKIMI	
<b>1</b>	BOOT	<b>5</b> SCREW M12x30 mm
<b>2</b>	DUST COVER	<b>6</b> SCREW M12x30 mm FT
<b>3</b>	BOOT	<b>7</b> SCREW M10x20 mm
<b>4</b>	METAL TAP	<b>8</b> SCREW M8x20 mm



<b>5M Nr.</b> 5M No.	9202.127.5	
<b>ORG. REF. NO</b>	DSB104	
<b>APPLICATION</b> Uygulama	DX195	
<b>DESCRIPTION</b> Açıklama	CALIPER REPAIR KIT KALİPER TAMİR TAKIMI	
<b>1</b>	BOOT	
<b>2</b>	DUST COVER	
<b>3</b>	BOOT	
<b>4</b>	METAL TAP	
<b>5</b>	DUST COVER	
<b>6</b>	SCREW M10x20 mm	
<b>7</b>	SCREW M12x30 mm	
<b>8</b>	SCREW M12x30 mm FT	
<b>9</b>	SCREW M8x20 mm	
<b>10</b>	GASKET	
<b>11</b>	SCREW	
<b>12</b>	WASHER	
<b>13</b>	SEAL	



# FOR MERITOR TYPE



<b>5M Nr.</b> 5M No.	9202.302.5	
<b>ORG. REF. NO</b>	-	
<b>APPLICATION</b> Uygulama	LRG 622 MERCEDES 0350, 0403, 0404, REAR	
<b>DESCRIPTION</b> Açıklama	CALIPER REPAIR KIT REAR LEFT KALİPER TAMİR TAKIMI ARKA SOL	
<b>1</b>	SHAFT BUSHING	<b>9</b> CALIPER COVER
<b>2</b>	SPRING (LEFT)	<b>10</b> SHAPES FLAKES
<b>3</b>	BALL BEARING (LEFT)	<b>11</b> PLASTIC COVER
<b>4</b>	BIG GEAR	<b>12</b> DUST PLUG
<b>5</b>	CALIPER SHAFT (LEFT)	<b>13</b> CALIPER GEAR
<b>6</b>	PLASTIC COVER	<b>14</b> SPRING (LEFT)
<b>7</b>	BEARING	<b>15</b> ADJUSTMENT BOLT
<b>8</b>	BEARING	

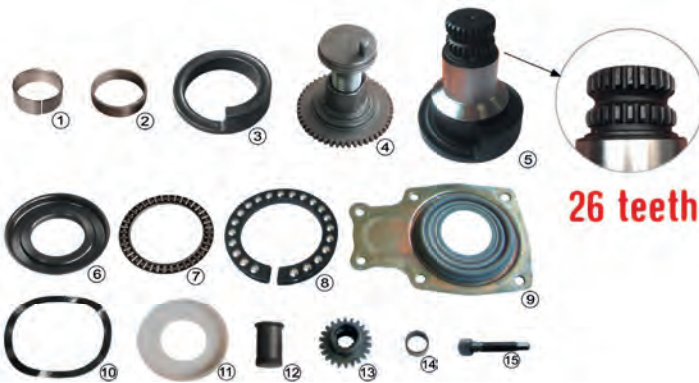


<b>5M Nr.</b> 5M No.	9202.303.5	
<b>ORG. REF. NO</b>	-	
<b>APPLICATION</b> Uygulama	LRG 623 MERCEDES 0350, 0403, 0404, REAR	
<b>DESCRIPTION</b> Açıklama	CALIPER REPAIR KIT REAR RIGHT KALİPER TAMİR TAKIMI ARKA SAĞ	
<b>1</b>	SHAFT BUSHING	<b>9</b> CALIPER COVER
<b>2</b>	SPRING (RIGHT)	<b>10</b> SHAPES FLAKES
<b>3</b>	BALL BEARING (RIGHT)	<b>11</b> PLASTIC COVER
<b>4</b>	BIG GEAR	<b>12</b> DUST PLUG
<b>5</b>	CALIPER SHAFT (RIGHT)	<b>13</b> CALIPER GEAR
<b>6</b>	PLASTIC COVER	<b>14</b> SPRING (RIGHT)
<b>7</b>	BEARING	<b>15</b> ADJUSTMENT BOLT
<b>8</b>	BEARING	

# FOR MERITOR TYPE



<b>5M Nr.</b> 5M No.	9202.304.5	
<b>ORG. REF. NO</b>	-	
<b>APPLICATION</b> Uygulama	LRG.528, .532, .562 MERCEDES 0350, 0403, 0404, FRONT	
<b>DESCRIPTION</b> Açıklama	CALIPER REPAIR KIT FRONT LEFT KALİPER TAMİR TAKIMI ÖN SOL	
<b>1</b>	SHAFT BUSHING	<b>9</b> CALIPER COVER
<b>2</b>	SPRING (LEFT)	<b>10</b> SHAPES FLAKES
<b>3</b>	BALL BEARING (LEFT)	<b>11</b> PLASTIC COVER
<b>4</b>	BIG GEAR	<b>12</b> DUST PLUG
<b>5</b>	CALIPER SHAFT (LEFT) 26 TEETH	<b>13</b> CALIPER GEAR
<b>6</b>	PLASTIC COVER	<b>14</b> SPRING (LEFT)
<b>7</b>	BEARING	<b>15</b> ADJUSTMENT BOLT
<b>8</b>	BEARING	

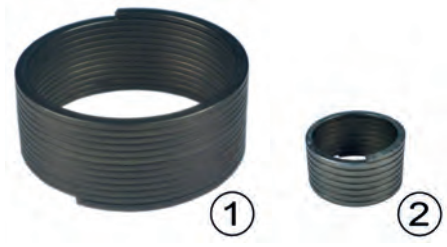


<b>5M Nr.</b> 5M No.	9202.305.5	
<b>ORG. REF. NO</b>	-	
<b>APPLICATION</b> Uygulama	LRG.529, .533, .563 MERCEDES 0350, 0403, 0404, FRONT	
<b>DESCRIPTION</b> Açıklama	CALIPER REPAIR KIT FRONT RIGHT KALİPER TAMİR TAKIMI ÖN SAĞ	
<b>1</b>	SHAFT BUSHING	<b>9</b> CALIPER COVER
<b>2</b>	SPRING (RIGHT)	<b>10</b> SHAPES FLAKES
<b>3</b>	BALL BEARING (RIGHT)	<b>11</b> PLASTIC COVER
<b>4</b>	BIG GEAR	<b>12</b> DUST PLUG
<b>5</b>	CALIPER SHAFT (RIGHT) 26 TEETH	<b>13</b> CALIPER GEAR
<b>6</b>	PLASTIC COVER	<b>14</b> SPRING (RIGHT)
<b>7</b>	BEARING	<b>15</b> ADJUSTMENT BOLT
<b>8</b>	BEARING	

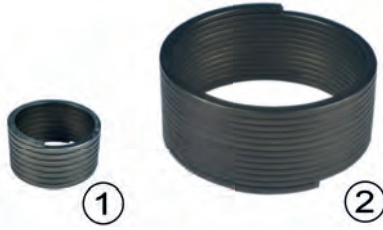
# FOR MERITOR TYPE



<b>5M Nr.</b> 5M No.	9202.306.5
<b>ORG. REF. NO</b>	-
<b>APPLICATION</b> Uygulama	ELSA 1
<b>DESCRIPTION</b> Açıklama	ADJUSTING MECHANISM WITH LONG SPRING AYAR MEKANİZMASI UZUN YAYLI
1	



<b>5M Nr.</b> 5M No.	9202.307.5
<b>ORG. REF. NO</b>	-
<b>APPLICATION</b> Uygulama	D3
<b>DESCRIPTION</b> Açıklama	SPRING SET (LEFT) YAY SETİ (SOL)
1	SPRING (BIG)
2	SPRING (SMALL)



<b>5M Nr.</b> 5M No.	9202.308.5
<b>ORG. REF. NO</b>	-
<b>APPLICATION</b> Uygulama	D3
<b>DESCRIPTION</b> Açıklama	SPRING SET (RIGHT) YAY SETİ (SAĞ)
1	SPRING (BIG)
2	SPRING (SMALL)



<b>5M Nr.</b> 5M No.	9202.309.5
<b>ORG. REF. NO</b>	-
<b>APPLICATION</b> Uygulama	ELSA 1
<b>DESCRIPTION</b> Açıklama	CALIPER RUBBER TAP KALİPER KAUÇUK TAP
1	RUBBER TAP

# FOR MERITOR TYPE



<b>5M Nr.</b> 5M No.	9202.313.5
<b>ORG. REF. NO</b>	-
<b>APPLICATION</b> Uygulama	ELSA 2 , ELSA 195 , ELSA 225
<b>DESCRIPTION</b> Açıklama	CALIBRATION MECHANISM COMPLETE KOMPLE AYAR MEKANİZMASI
<b>1</b>	CALIBRATION MECHANISM COMPLETE
<b>2</b>	GASKET
<b>3</b>	SCREW M8x1.25x45 (8x)



<b>5M Nr.</b> 5M No.	9202.310.5
<b>ORG. REF. NO</b>	-
<b>APPLICATION</b> Uygulama	ELSA 2 , ELSA 195 , ELSA 225
<b>DESCRIPTION</b> Açıklama	CALIPER ADJUSTING MECHANISM KALİPER AYAR MEKANİZMASI
<b>1</b>	ALUMINIUM CAP (BALL BEARING)
<b>2</b>	GASKET
<b>3</b>	SCREW M8x1.25x45 (8x)



<b>5M Nr.</b> 5M No.	9202.311.5
<b>ORG. REF. NO</b>	-
<b>APPLICATION</b> Uygulama	C LISA - D LISA
<b>DESCRIPTION</b> Açıklama	BIG SPRING LEFT BÜYÜK YAY SOL
<b>1</b>	SPRING



<b>5M Nr.</b> 5M No.	9202.312.5
<b>ORG. REF. NO</b>	-
<b>APPLICATION</b> Uygulama	C LISA - D LISA
<b>DESCRIPTION</b> Açıklama	BIG SPRING RIGHT BÜYÜK YAY SAĞ
<b>1</b>	SPRING



# FOR MERITOR TYPE



<b>5M Nr.</b> 5M No.	9202.128.5		
<b>ORG. REF. NO</b>	MCK1192		
<b>APPLICATION</b> Uygulama	DX195		
<b>DESCRIPTION</b> Açıklama	CALIPER REPAIR KIT KALİPER TAMİR TAKIMI		
1	BOOT	5	SCREW M16x1.5x80 mm
2	DUST COVER	6	SCREW M16x1.5x55 mm
3	BOOT		
4	METAL TAP		



<b>5M Nr.</b> 5M No.	9202.129.5		
<b>ORG. REF. NO</b>			
<b>APPLICATION</b> Uygulama	DX225		
<b>DESCRIPTION</b> Açıklama	CALIPER REPAIR KIT KALİPER TAMİR TAKIMI		
1	BOOT	5	SCREW M16x1.5x80 mm
2	DUST COVER	6	SCREW M16x1.5x55 mm
3	BOOT		
4	METAL TAP		



<b>5M Nr.</b> 5M No.	9202.130.5		
<b>ORG. REF. NO</b>			
<b>APPLICATION</b> Uygulama	DX195		
<b>DESCRIPTION</b> Açıklama	CALIPER REPAIR KIT KALİPER TAMİR TAKIMI		
1	BOOT		
2	DUST COVER		
3	BOOT		



<b>5M Nr.</b> 5M No.	9202.131.5		
<b>ORG. REF. NO</b>			
<b>APPLICATION</b> Uygulama	DX225		
<b>DESCRIPTION</b> Açıklama	CALIPER REPAIR KIT KALİPER TAMİR TAKIMI		
1	BOOT		
2	DUST COVER		
3	BOOT		



# FOR MERITOR TYPE



<b>5M Nr.</b> 5M No.	9202.132.5	
<b>ORG. REF. NO</b>	MCK1293-DSB6R	
<b>APPLICATION</b> Uygulama	DX195	
<b>DESCRIPTION</b> Açıklama	CALIPER REPAIR KIT (RIGHT) KALİPER TAMİR TAKIMI (SAĞ)	
1	BRIDGE	
2	PUSH PLATE	
3	BUSH	
4	GUIDE PIN	
5	GEAR	
6	SCREW	
7	SCREW M10x20 mm	
8	WAVY WASHER	
9	SNAP RING	
10	PIN	
11	METAL TAP	
12	BOOT	
13	DUST COVER	



<b>5M Nr.</b> 5M No.	9202.133.5	
<b>ORG. REF. NO</b>	MCK1292-DSB6L	
<b>APPLICATION</b> Uygulama	DX195	
<b>DESCRIPTION</b> Açıklama	CALIPER REPAIR KIT (LEFT) KALİPER TAMİR TAKIMI (SOL)	
1	BRIDGE	
2	PUSH PLATE	
3	BUSH	
4	GUIDE PIN	
5	GEAR	
6	SCREW	
7	SCREW M10x20 mm	
8	WAVY WASHER	
9	SNAP RING	
10	PIN	
11	METAL TAP	
12	BOOT	
13	DUST COVER	

# FOR MERITOR TYPE



<b>5M Nr.</b> 5M No.	9202.134.5	
<b>ORG. REF. NO</b>		
<b>APPLICATION</b> Uygulama	DX225	
<b>DESCRIPTION</b> Açıklama	CALIPER REPAIR KIT (RIGHT) KALİPER TAMİR TAKIMI (SAĞ)	
1	BRIDGE	
2	PUSH PLATE	
3	BUSH	
4	GUIDE PIN	
5	GEAR	
6	SCREW	
7	SCREW M10x20 mm	
8	WAVY WASHER	
9	SNAP RING	
10	PIN	
11	METAL TAP	
12	BOOT	
13	DUST COVER	

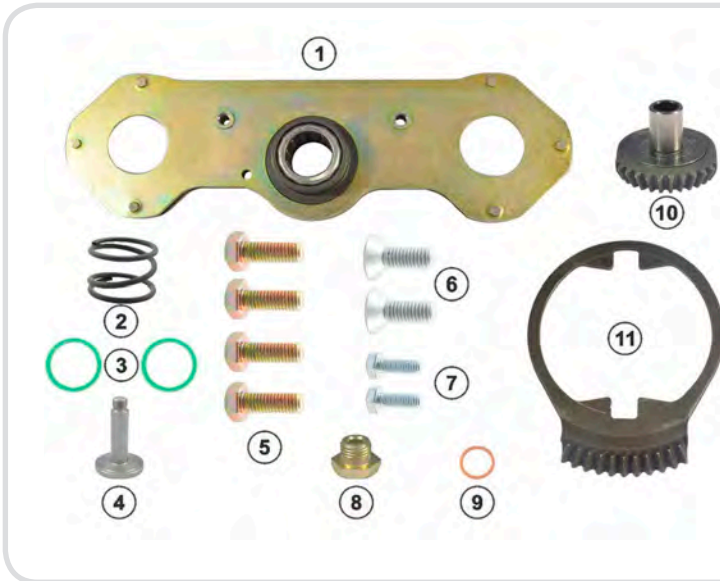


<b>5M Nr.</b> 5M No.	9202.135.5	
<b>ORG. REF. NO</b>		
<b>APPLICATION</b> Uygulama	DX225	
<b>DESCRIPTION</b> Açıklama	CALIPER REPAIR KIT (LEFT) KALİPER TAMİR TAKIMI (SOL)	
1	BRIDGE	
2	PUSH PLATE	
3	BUSH	
4	GUIDE PIN	
5	GEAR	
6	SCREW	
7	SCREW M10x20 mm	
8	WAVY WASHER	
9	SNAP RING	
10	PIN	
11	METAL TAP	
12	BOOT	
13	DUST COVER	

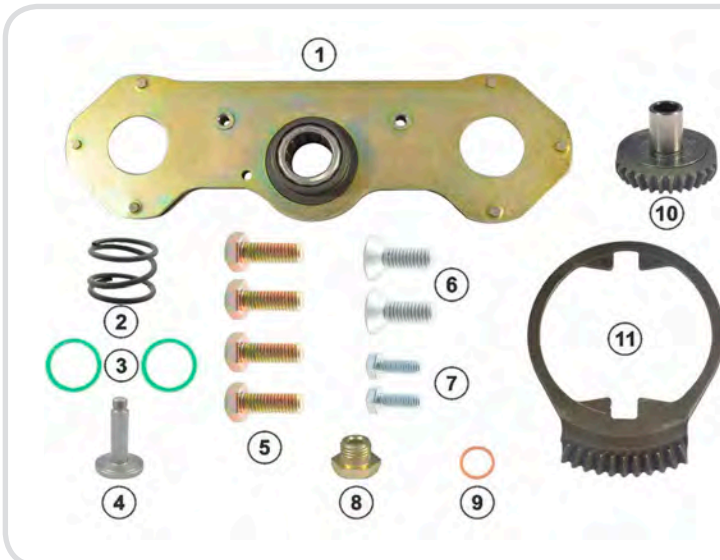




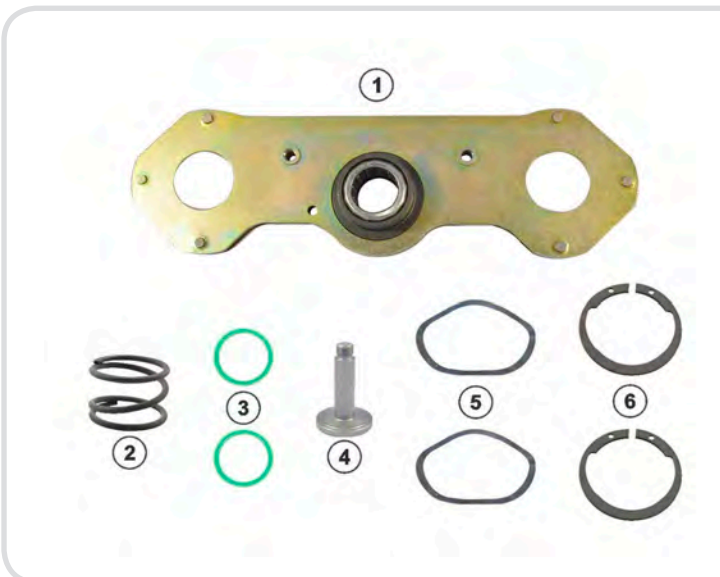
# FOR MERITOR TYPE



<b>5M Nr.</b> 5M No.	9202.136.5	
<b>ORG. REF. NO</b>	MCK1291-DSL5R	
<b>APPLICATION</b> Uygulama	DX195	
<b>DESCRIPTION</b> Açıklama	CALIPER MECHANISM REPAIR KIT (RIGHT) KALİPER MEKANİZMA TAMİR TAKIMI (SAĞ)	
1	MECHANISM	9 WASHER
2	SPRING	10 GEAR
3	SEAL	11 CENTER GEAR
4	PIN	
5	SCREW M12x30	
6	SCREW M12x30 mm FT	
7	SCREW M8x20 mm	
8	SCREW	



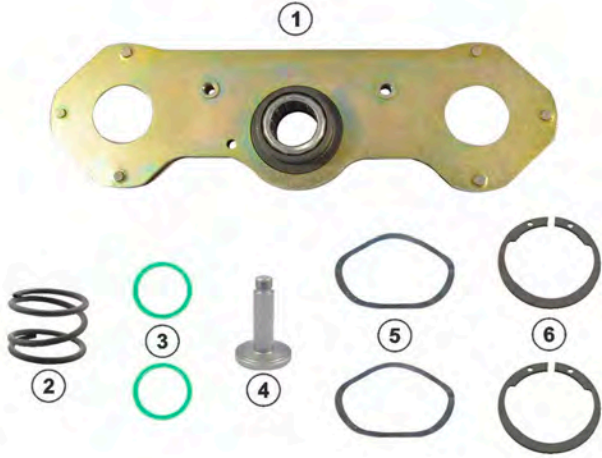
<b>5M Nr.</b> 5M No.	9202.137.5	
<b>ORG. REF. NO</b>	MCK1290DSL5L	
<b>APPLICATION</b> Uygulama	DX195	
<b>DESCRIPTION</b> Açıklama	CALIPER MECHANISM REPAIR KIT (LEFT) KALİPER MEKANİZMA TAMİR TAKIMI (SOL)	
1	MECHANISM	9 WASHER
2	SPRING	10 GEAR
3	SEAL	11 CENTER GEAR
4	PIN	
5	SCREW M12x30	
6	SCREW M12x30 mm FT	
7	SCREW M8x20 mm	
8	SCREW	



<b>5M Nr.</b> 5M No.	9202.138.5	
<b>ORG. REF. NO</b>		
<b>APPLICATION</b> Uygulama	DX195	
<b>DESCRIPTION</b> Açıklama	CALIPER MECHANISM REPAIR KIT (RIGHT) KALİPER MEKANİZMA TAMİR TAKIMI (SAĞ)	
1	MECHANISM	
2	SPRING	
3	SEAL	
4	PIN	
5	WAVY WASHER	
6	SNAP RING	



# FOR MERITOR TYPE



<b>5M Nr.</b> 5M No.	9202.139.5	
<b>ORG. REF. NO</b>		
<b>APPLICATION</b> Uygulama	DX195 - SOL	
<b>DESCRIPTION</b> Açıklama		
1	MECHANISM	
2	SPRING	
3	SEAL	
4	PIN	
5	WAVY WASHER	
6	SNAP RING	



<b>5M Nr.</b> 5M No.	9202.140.5	
<b>ORG. REF. NO</b>		
<b>APPLICATION</b> Uygulama	DX195	
<b>DESCRIPTION</b> Açıklama	CALIPER BRIDGE KALİPER KÖPRÜ	
1	BRIDGE	
2	BUSH	

# FOR MERITOR TYPE



<b>5M Nr.</b> 5M No.	9202.141.5	
<b>ORG. REF. NO</b>	MCK1294	
<b>APPLICATION</b> Uygulama	DX195,DX225	
<b>DESCRIPTION</b> Açıklama	CALIPER SHAFT REPAIR KIT KALİPER ŞAFT TAMİR TAKIMI	
<b>1</b>	SHAFT	<b>13</b> DETTENT PIN
<b>2</b>	GREASE NIPPLE	<b>14</b> COTTER PIN
<b>3</b>	SEAL	<b>15</b> SCREW
<b>4</b>	ROLLER BEARING	<b>16</b> WASHER
<b>5</b>	ROLLER BEARING	<b>17</b> DETTENT PIN
<b>6</b>	SEAL	<b>18</b> COTTER PIN
<b>7</b>	GASKET	
<b>8</b>	COVER	
<b>9</b>	SCREW M8x20 mm	
<b>10</b>	DUST COVER	
<b>11</b>	SCREW M8x60 mm	
<b>12</b>	BOLT NUT M8	



<b>5M Nr.</b> 5M No.	9202.142.5	
<b>ORG. REF. NO</b>	MCK1168	
<b>APPLICATION</b> Uygulama	DX195,DX225	
<b>DESCRIPTION</b> Açıklama	CALIPER SHAFT REPAIR KIT KALİPER ŞAFT TAMİR TAKIMI	
<b>1</b>	SHAFT	<b>13</b> WASHER
<b>2</b>	GREASE NIPPLE	<b>14</b> SEAL
<b>3</b>	SEAL	
<b>4</b>	ROLLER BEARING	
<b>5</b>	GASKET	
<b>6</b>	COVER	
<b>7</b>	SCREW M8x20 mm	
<b>8</b>	SCREW M8x60 mm	
<b>9</b>	BOLT NUT M8	
<b>10</b>	DETTENT PIN	
<b>11</b>	COTTER PIN	
<b>12</b>	SCREW	

# FOR MERITOR TYPE



<b>5M Nr.</b> 5M No.	9202.143.5	
<b>ORG. REF. NO</b>		
<b>APPLICATION</b> Uygulama	DX195,DX225	
<b>DESCRIPTION</b> Açıklama	CALIPER SHAFT REPAIR KIT KALİPER ŞAFT TAMİR TAKIMI	
<b>1</b>	SHAFT	
<b>2</b>	GREASE NIPPLE	
<b>3</b>	SEAL	
<b>4</b>	ROLLER BEARING	



<b>5M Nr.</b> 5M No.	9202.144.5	
<b>ORG. REF. NO</b>		
<b>APPLICATION</b> Uygulama	DX195,DX225	
<b>DESCRIPTION</b> Açıklama	CALIPER SHAFT REPAIR KIT KALİPER ŞAFT TAMİR TAKIMI	
<b>1</b>	SHAFT	
<b>2</b>	GREASE NIPPLE	
<b>3</b>	SEAL	



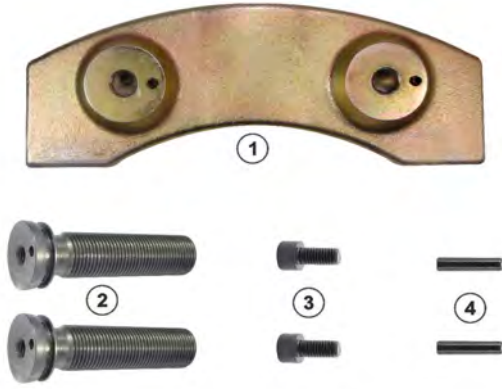
<b>5M Nr.</b> 5M No.	9202.145.5	
<b>ORG. REF. NO</b>		
<b>APPLICATION</b> Uygulama	DX195,DX225	
<b>DESCRIPTION</b> Açıklama	CALIPER GEAR REPAIR KIT KALİPER DİŞLİ TAMİR TAKIMI	
<b>1</b>	CENTER GEAR	
<b>2</b>	GEAR	



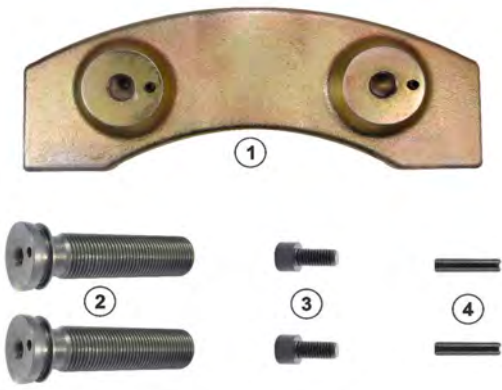
<b>5M Nr.</b> 5M No.	9202.146.5	
<b>ORG. REF. NO</b>		
<b>APPLICATION</b> Uygulama	DX195,DX225	
<b>DESCRIPTION</b> Açıklama	CALIPER REPAIR KIT KALİPER TAMİR TAKIMI	
<b>1</b>	COVER	<b>5</b> GASKET
<b>2</b>	ROLLER BEARING	<b>6</b> SCREW M8x20 mm
<b>3</b>	DUST COVER	
<b>4</b>	SEAL	



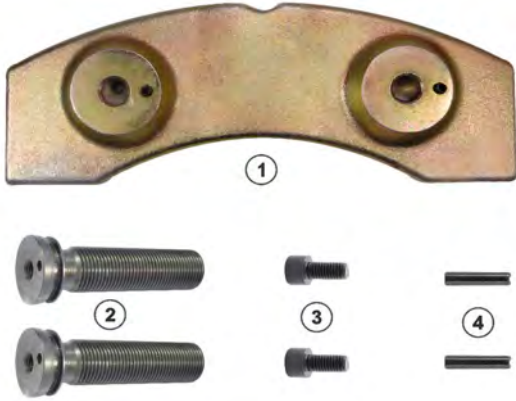
# FOR MERITOR TYPE



5M Nr. 5M No.	9202.147.5
ORG. REF. NO	
APPLICATION Uygulama	DX195
DESCRIPTION Açıklama	CALIPER PUSH PLATE (RIGHT) KALİPER BASKI PLAKASI (SAĞ)
1	PUSH PLATE
2	SCREW
3	SCREW M10x20 mm
4	PIN



5M Nr. 5M No.	9202.148.5
ORG. REF. NO	
APPLICATION Uygulama	DX195
DESCRIPTION Açıklama	CALIPER PUSH PLATE (LEFT) KALİPER BASKI PLAKASI (SOL)
1	PUSH PLATE
2	SCREW
3	SCREW M10x20 mm
4	PIN



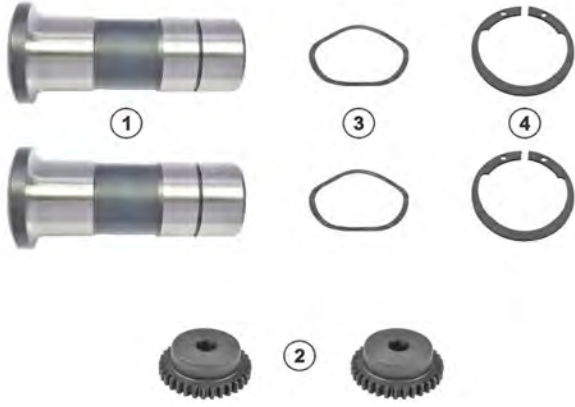
5M Nr. 5M No.	9202.149.5
ORG. REF. NO	
APPLICATION Uygulama	DX225
DESCRIPTION Açıklama	CALIPER PUSH PLATE (RIGHT) KALİPER BASKI PLAKASI (SAĞ)
1	PUSH PLATE
2	SCREW
3	SCREW M10x20 mm
4	PIN



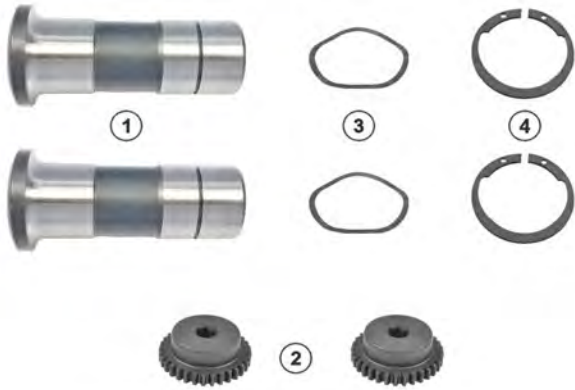
5M Nr. 5M No.	9202.150.5
ORG. REF. NO	
APPLICATION Uygulama	DX225
DESCRIPTION Açıklama	CALIPER PUSH PLATE (LEFT) KALİPER BASKI PLAKASI (SOL)
1	PUSH PLATE
2	SCREW
3	SCREW M10x20 mm
4	PIN



# FOR MERITOR TYPE



<b>5M Nr.</b> 5M No.	9202.151.5	
<b>ORG. REF. NO</b>		
<b>APPLICATION</b> Uygulama	DX195	
<b>DESCRIPTION</b> Açıklama	CALIPER REPAIR KIT (RIGHT) KALİPER TAMİR TAKIMI (SAĞ)	
<b>1</b>	GUIDE PIN	
<b>2</b>	GEAR	
<b>3</b>	WAVY WASHER	
<b>4</b>	SNAP RING	



<b>5M Nr.</b> 5M No.	9202.152.5	
<b>ORG. REF. NO</b>		
<b>APPLICATION</b> Uygulama	DX195	
<b>DESCRIPTION</b> Açıklama	CALIPER REPAIR KIT (LEFT) KALİPER TAMİR TAKIMI (SOL)	
<b>1</b>	GUIDE PIN	
<b>2</b>	GEAR	
<b>3</b>	WAVY WASHER	
<b>4</b>	SNAP RING	



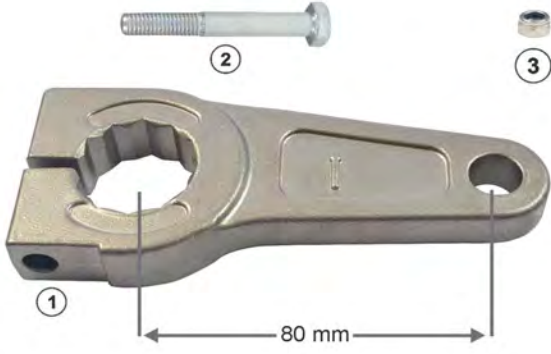
<b>5M Nr.</b> 5M No.	9202.153.5	
<b>ORG. REF. NO</b>		
<b>APPLICATION</b> Uygulama	DX195	
<b>DESCRIPTION</b> Açıklama	CALIPER REPAIR KIT (RIGHT) KALİPER TAMİR TAKIMI (SAĞ)	
<b>1</b>	GUIDE PIN	<b>5</b> SNAP RING
<b>2</b>	GEAR	
<b>3</b>	SCREW	
<b>4</b>	WAVY WASHER	



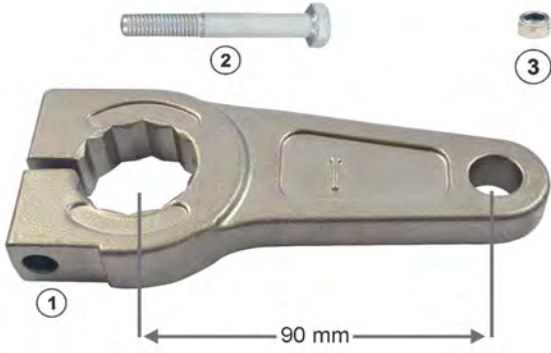
<b>5M Nr.</b> 5M No.	9202.154.5	
<b>ORG. REF. NO</b>		
<b>APPLICATION</b> Uygulama	DX195	
<b>DESCRIPTION</b> Açıklama	CALIPER REPAIR KIT (LEFT) KALİPER TAMİR TAKIMI (SOL)	
<b>1</b>	GUIDE PIN	<b>5</b> SNAP RING
<b>2</b>	GEAR	
<b>3</b>	SCREW	
<b>4</b>	WAVY WASHER	



# FOR MERITOR TYPE



<b>5M Nr.</b> 5M No.	9202.155.5	
<b>ORG. REF. NO</b>	MCK1160 - 21224954	
<b>APPLICATION</b> Uygulama	DX195	
<b>DESCRIPTION</b> Açıklama	CALIPER LEVER KALİPER KOL	
<b>1</b>	LEVER (80 mm)	
<b>2</b>	SCREW M8x60 mm	
<b>3</b>	BOLT NUT M8	



<b>5M Nr.</b> 5M No.	9202.156.5	
<b>ORG. REF. NO</b>	MCK1161 - 21224955	
<b>APPLICATION</b> Uygulama	DX225	
<b>DESCRIPTION</b> Açıklama	CALIPER LEVER KALİPER KOL	
<b>1</b>	LEVER (90 mm)	
<b>2</b>	SCREW M8x60 mm	
<b>3</b>	BOLT NUT M8	



<b>5M Nr.</b> 5M No.	9202.157.5	
<b>ORG. REF. NO</b>		
<b>APPLICATION</b> Uygulama	DX195,DX225	
<b>DESCRIPTION</b> Açıklama	CALIPER ROLLER BEARING KALİPER RULMAN	
<b>1</b>	ROLLER BEARING	



<b>5M Nr.</b> 5M No.	9202.158.5	
<b>ORG. REF. NO</b>		
<b>APPLICATION</b> Uygulama	DX195,DX225	
<b>DESCRIPTION</b> Açıklama	CALIPER ROLLER BEARING KALİPER RULMAN	
<b>1</b>	ROLLER BEARING	

# FOR MERITOR TYPE



<b>5M Nr.</b> 5M No.	9202.159.5	
<b>ORG. REF. NO</b>	MCK1344 - DSB3	
<b>APPLICATION</b> Uygulama	DX195,DX225	
<b>DESCRIPTION</b> Açıklama	CALIPER BEARING KIT KALİPER RULMAN TAKIMI	
<b>1</b>	ROLLER BEARING	
<b>2</b>	ROLLER BEARING	
<b>3</b>	BUSH	

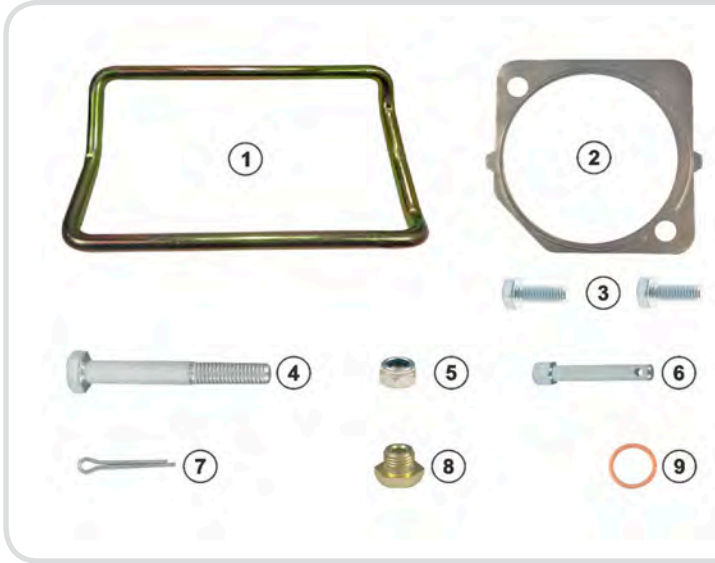


<b>5M Nr.</b> 5M No.	9202.160.5	
<b>ORG. REF. NO</b>		
<b>APPLICATION</b> Uygulama	DX195,DX225	
<b>DESCRIPTION</b> Açıklama	CALIPER SEAL KALİPER KEÇE	
<b>1</b>	SEAL	



<b>5M Nr.</b> 5M No.	9202.161.5	
<b>ORG. REF. NO</b>	1205 x 2572 - 21225226	
<b>APPLICATION</b> Uygulama	DX195,DX225	
<b>DESCRIPTION</b> Açıklama	CALIPER DUST COVER KALİPER TOZ KAPAĞI	
<b>1</b>	DUST COVER	

# FOR MERITOR TYPE



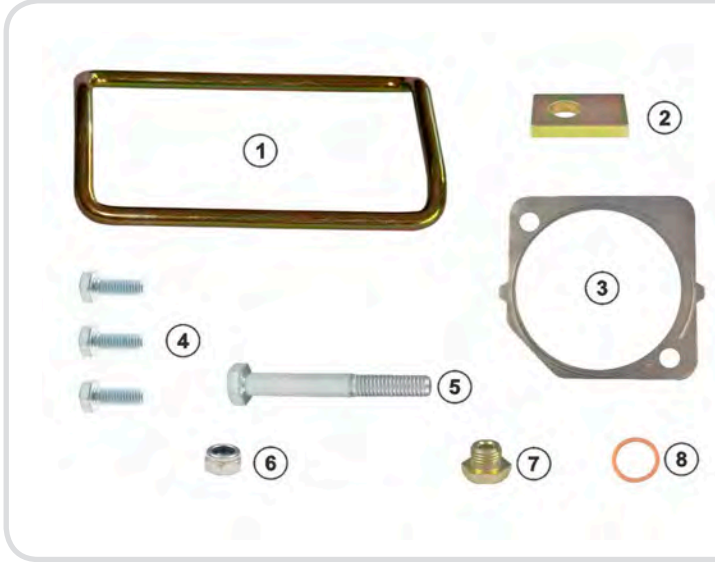
5M Nr. 9202.162.5  
5M No.

ORG. REF. NO MCK1154

APPLICATION DX195  
Uygulama

DESCRIPTION CALIPER REPAIR KIT  
Açıklama KALİPER TAMİR TAKIMI

1	STABILIZER BAR	9	WASHER
2	GASKET		
3	SCREW M8x20 mm		
4	SCREW M8x60 mm		
5	BOLT NUT M8		
6	DETTENT PIN		
7	COTTER PIN		
8	SCREW		



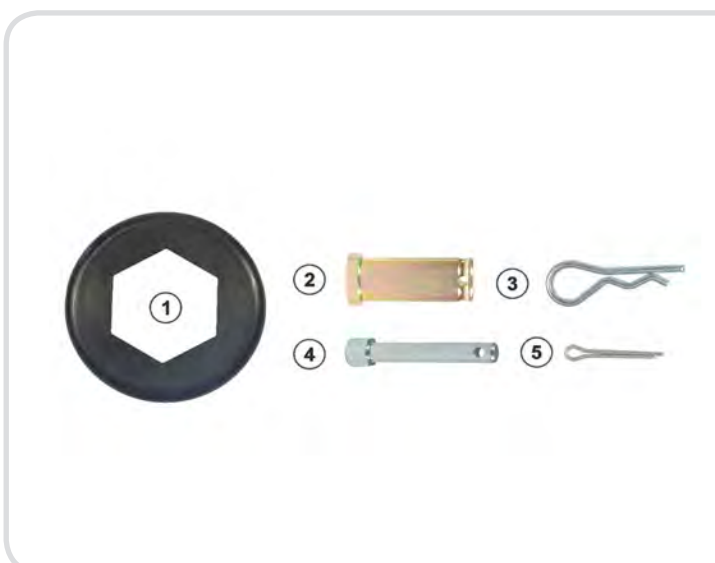
5M Nr. 9202.163.5  
5M No.

ORG. REF. NO MCK1159

APPLICATION DX225  
Uygulama

DESCRIPTION CALIPER REPAIR KIT  
Açıklama KALİPER TAMİR TAKIMI

1	STABILIZER BAR		
2	METAL SHIM		
3	GASKET		
4	SCREW M8x20 mm		
5	SCREW M8x60 mm		
6	BOLT NUT M8		
7	SCREW		
8	WASHER		



5M Nr. 9202.164.5  
5M No.

ORG. REF. NO

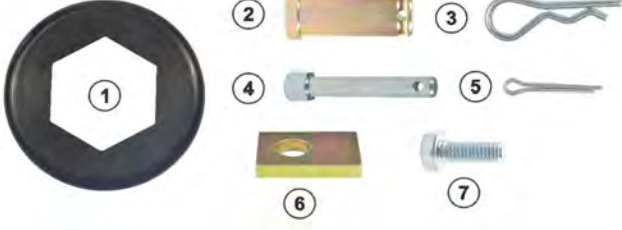
APPLICATION DX195,DX225  
Uygulama

DESCRIPTION CALIPER REPAIR KIT  
Açıklama KALİPER TAMİR TAKIMI

1	DUST COVER		
2	DETTENT PIN		
3	COTTER PIN		
4	DETTENT PIN		
5	COTTER PIN		



# FOR MERITOR TYPE



<b>5M Nr.</b> 5M No.	9202.165.5	
<b>ORG. REF. NO</b>		
<b>APPLICATION</b> Uygulama	DX195,DX225	
<b>DESCRIPTION</b> Açıklama	CALIPER REPAIR KIT KALİPER TAMİR TAKIMI	
<b>1</b>	DUST COVER	<b>5</b> COTTER PIN
<b>2</b>	DETTENT PIN	<b>6</b> METAL SHIM
<b>3</b>	COTTER PIN	<b>7</b> SCREW M8x20 mm
<b>4</b>	DETTENT PIN	



<b>5M Nr.</b> 5M No.	9202.166.5	
<b>ORG. REF. NO</b>		
<b>APPLICATION</b> Uygulama	DX195	
<b>DESCRIPTION</b> Açıklama	CALIPER STABILIZER BAR KALİPER BALATA TUTUCU	
<b>1</b>	STABILIZER BAR	



<b>5M Nr.</b> 5M No.	9202.167.5	
<b>ORG. REF. NO</b>		
<b>APPLICATION</b> Uygulama	DX225	
<b>DESCRIPTION</b> Açıklama	CALIPER STABILIZER BAR KALİPER BALATA TUTUCU	
<b>1</b>	STABILIZER BAR	



<b>5M Nr.</b> 5M No.	9202.168.5	
<b>ORG. REF. NO</b>	15224836SR	
<b>APPLICATION</b> Uygulama	DX195	
<b>DESCRIPTION</b> Açıklama	CALIPER COVER PLATE (LEFT) KALİPER KAPAK PLEYTİ (SOL)	
<b>1</b>	COVER PLATE	
<b>2</b>	METAL TAP	

# FOR MERITOR TYPE



5M Nr. 5M No.	9202.169.5	
ORG. REF. NO	15224837SR	
APPLICATION Uygulama	DX195	
DESCRIPTION Açıklama	CALIPER COVER PLATE (RIGHT) KALİPER KAPAK PLEYTİ (SAĞ)	
1	COVER PLATE	
2	METAL TAP	













# FOR MERITOR TYPE

5M Nr. 5M No.	9202.173.5
ORG. REF. NO	
APPLICATION Uygulama	ELSA 195, ELSA 225
DESCRIPTION Açıklama	CALIPER COMPLETE OVERHAUL REPAIR KIT KALİPER KOMPLE TAMİR TAKIMI



# FOR MERITOR TYPE

5M Nr. 5M No.	9202.174.5
ORG. REF. NO	
APPLICATION Uygulama	EX 225
DESCRIPTION Açıklama	CALIPER COMPLETE OVERHAUL REPAIR KIT KALİPER KOMPLE TAMİR TAKIMI











# FOR MERITOR TYPE

5M Nr. 5M No.	9202.177.5
ORG. REF. NO	
APPLICATION Uygulama	DUCO (REAR - RIGHT)
DESCRIPTION Açıklama	CALIPER COMPLETE OVERHAUL REPAIR KIT KALİPER KOMPLE TAMİR TAKIMI











# FOR MERITOR TYPE

5M Nr. 5M No.	9202.180.5
ORG. REF. NO	
APPLICATION Uygulama	ELSA 1 (LEFT)
DESCRIPTION Açıklama	CALIPER COMPLETE OVERHAUL REPAIR KIT KALİPER KOMPLE TAMİR TAKIMI





# FOR MERITOR TYPE

5M Nr. 5M No.	9202.182.5
ORG. REF. NO	
APPLICATION Uygulama	ELSA 1 (LEFT)
DESCRIPTION Açıklama	CALIPER COMPLETE OVERHAUL REPAIR KIT KALİPER KOMPLE TAMİR TAKIMI





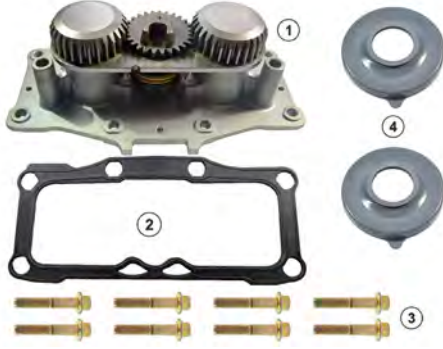
# FOR MERITOR TYPE

5M Nr. 5M No.	9202.183.5
ORG. REF. NO	
APPLICATION Uygulama	ELSA 1 (RIGHT)
DESCRIPTION Açıklama	CALIPER COMPLETE OVERHAUL REPAIR KIT KALİPER KOMPLE TAMİR TAKIMI





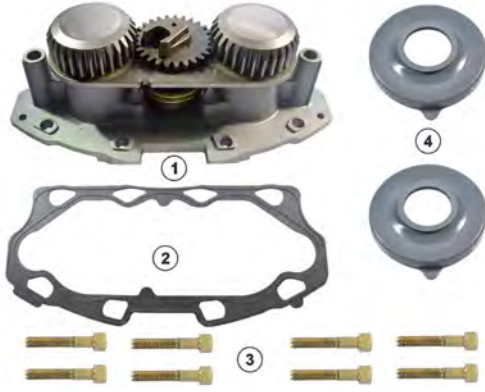
# FOR MERITOR TYPE



<b>5M Nr.</b> 5M No.	9202.184.5	
<b>ORG. REF. NO</b>		
<b>APPLICATION</b> Uygulama	ELSA 2	
<b>DESCRIPTION</b> Açıklama	CALIBRATION MECHANISM COMPLETE KOMPLE AYAR MEKANİZMASI	
<b>1</b>	CALIBRATION MECHANISM COMPLETE	<b>4</b> DUST COVER
<b>2</b>	GASKET	
<b>3</b>	SCREW M8x1.25x45 mm	



<b>5M Nr.</b> 5M No.	9202.185.5	
<b>ORG. REF. NO</b>		
<b>APPLICATION</b> Uygulama	ELSA 2	
<b>DESCRIPTION</b> Açıklama	CALIPER CALIBRATION MECHANISM (ALUMINIUM) KALİPER AYAR MEKANİZMASI (ALÜMİNYUM)	
<b>1</b>	ALUMINIUM CAP (BALL BEARING)	<b>4</b> TRIANGLE SEAL
		<b>5</b> RING
<b>2</b>	GASKET	<b>6</b> SCREW M8x1.25x45 mm
<b>3</b>	BUSH	



<b>5M Nr.</b> 5M No.	9202.090.5	
<b>ORG. REF. NO</b>		
<b>APPLICATION</b> Uygulama	ELSA 195, ELSA 225, EX 225	
<b>DESCRIPTION</b> Açıklama	CALIBRATION MECHANISM COMPLETE KOMPE AYAR MEKANİZMASI	
<b>1</b>	CALIBRATION MECHANISM COMPLETE	<b>4</b> DUST COVER
<b>2</b>	GASKET	
<b>3</b>	SCREW M8x1.25x45 mm	



<b>5M Nr.</b> 5M No.	9202.073.5	
<b>ORG. REF. NO</b>		
<b>APPLICATION</b> Uygulama	ELSA 195, ELSA 225, EX 225	
<b>DESCRIPTION</b> Açıklama	CALIPER CALIBRATION MECHANISM (ALUMINIUM) KALİPER AYAR MEKANİZMASI (ALÜMİNYUM)	
<b>1</b>	ALUMINIUM CAP (BALL BAERING)	<b>4</b> TRIANGLE SEAL
		<b>5</b> RING
<b>2</b>	GASKET	<b>6</b> SCREW M8x1.25x45 mm
<b>3</b>	BUSH	



# FOR MERITOR TYPE



<b>5M Nr.</b> 5M No.	9202.062.5
<b>ORG. REF. NO</b>	
<b>APPLICATION</b> Uygulama	ELSA 2 ,ELSA 195, ELSA 225 ,EX 225
<b>DESCRIPTION</b> Açıklama	CALIPER CALIBRATION GEAR KALİPER AYAR DİŞLİSİ
<b>1</b>	BREAKE LINING CALIBRATION GEAR



<b>5M Nr.</b> 5M No.	9202.072.5
<b>ORG. REF. NO</b>	
<b>APPLICATION</b> Uygulama	ELSA 2, ELSA 195, ELSA 225, EX 225
<b>DESCRIPTION</b> Açıklama	CALIPER ADJUSTING MECHANISM KALİPER AYAR MEKANİZMASI
<b>1</b>	ADJUSTING MECHANISM



<b>5M Nr.</b> 5M No.	9202.082.5
<b>ORG. REF. NO</b>	
<b>APPLICATION</b> Uygulama	ELSA 2
<b>DESCRIPTION</b> Açıklama	CALIPER ADJUSTING GEAR (LEFT) KALİPER AYAR DİŞLİSİ (SOL)
<b>1</b>	ADJUSTING GEAR
<b>2</b>	SPRING
<b>3</b>	SEAL



<b>5M Nr.</b> 5M No.	9202.081.5
<b>ORG. REF. NO</b>	
<b>APPLICATION</b> Uygulama	ELSA 2
<b>DESCRIPTION</b> Açıklama	CALIPER ADJUSTING GEAR (RIGHT) KALİPER AYAR DİŞLİSİ (SAĞ)
<b>1</b>	ADJUSTING GEAR
<b>2</b>	SPRING
<b>3</b>	SEAL

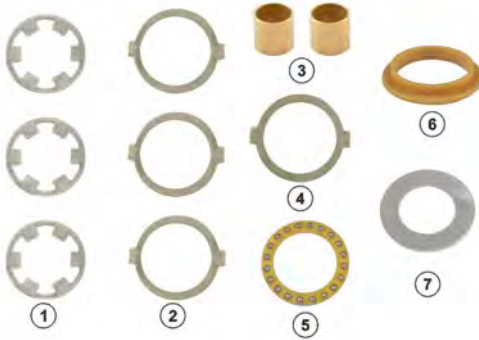
# FOR MERITOR TYPE



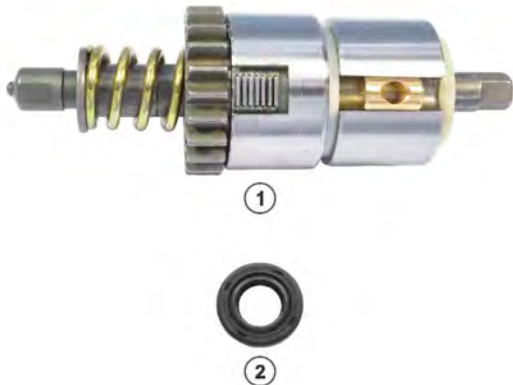
<b>5M Nr.</b> 5M No.	9202.186.5	
<b>ORG. REF. NO</b>		
<b>APPLICATION</b> Uygulama	ELSA 195, ELSA 225, EX 225	
<b>DESCRIPTION</b> Açıklama	CALIPER ADJUSTING GEAR KALİPER AYAR DİŞLİSİ	
<b>1</b>	ADJUSTING GEAR	
<b>2</b>	SPRING	
<b>3</b>	SEAL	



<b>5M Nr.</b> 5M No.	9202.074.5	
<b>ORG. REF. NO</b>		
<b>APPLICATION</b> Uygulama	ELSA 2, ELSA 195, ELSA 225, EX 225	
<b>DESCRIPTION</b> Açıklama	CALIPER REPAIR KIT KALİPER TAMİR TAKIMI	
<b>1</b>	BUSH	
<b>2</b>	TRIANGLE SEAL	
<b>3</b>	RING	

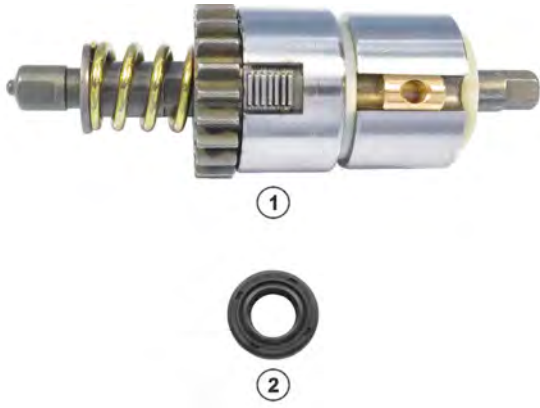


<b>5M Nr.</b> 5M No.	9202.187.5	
<b>ORG. REF. NO</b>		
<b>APPLICATION</b> Uygulama	ELSA 2, ELSA 195, ELSA 225, EX 225	
<b>DESCRIPTION</b> Açıklama	CALIPER MECHANISM REPAIR KIT KALİPER MEKANİZMASI TAMİR TAKIMI	
<b>1</b>	METAL SHEET	<b>5</b> GROUND BEARING
<b>2</b>	METAL SHEET	<b>6</b> RING (PLASTIC)
<b>3</b>	BUSH	<b>7</b> WASHER
<b>4</b>	METAL SHEET	

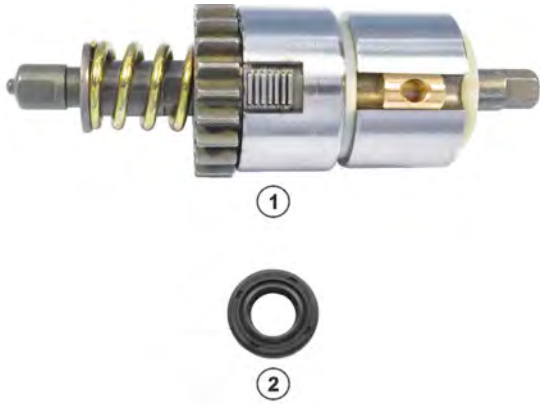


<b>5M Nr.</b> 5M No.	9202.010.5	
<b>ORG. REF. NO</b>	MCK1113 - SJ4110 - 85102093 - 3092267	
<b>APPLICATION</b> Uygulama	C DUCO, D DUCO, LE DUCO	
<b>DESCRIPTION</b> Açıklama	CALIPER ADJUSTING MECHANISM (FRONT - RIGHT / LEFT) KALİPER AYAR MEKANİZMASI (ÖN - SAĞ / SOL)	
<b>1</b>	ADJUSTING MECHANISM	
<b>2</b>	SEAL	

# FOR MERITOR TYPE



<b>5M Nr.</b> 5M No.	9202.008.5	
<b>ORG. REF. NO</b>	MCK1111 - SJ4102 - 85102095 - 3092265	
<b>APPLICATION</b> Uygulama	C DUCO, D DUCO, LE DUCO	
<b>DESCRIPTION</b> Açıklama	CALIPER ADJUSTING MECHANISM (REAR - LEFT) KALİPER AYAR MEKANİZMASI (ARKA / SOL)	
<b>1</b>	ADJUSTING MECHANISM	
<b>2</b>	SEAL	



<b>5M Nr.</b> 5M No.	9202.009.5	
<b>ORG. REF. NO</b>	MCK1112 - SJ4103 - 85102096 - 3092266	
<b>APPLICATION</b> Uygulama	C DUCO, D DUCO, LE DUCO	
<b>DESCRIPTION</b> Açıklama	CALIPER ADJUSTING MECHANISM (REAR - RIGHT) KALİPER AYAR MEKANİZMASI (ARKA / SAĞ)	
<b>1</b>	ADJUSTING MECHANISM	
<b>2</b>	SEAL	



<b>5M Nr.</b> 5M No.	9202.188.5	
<b>ORG. REF. NO</b>	68322297PK10	
<b>APPLICATION</b> Uygulama	C DUCO, D DUCO, LE DUCO	
<b>DESCRIPTION</b> Açıklama	CALIPER ECCENTRIC SEAL KALİPER EKSANTRİK KEÇE	
<b>1</b>	ECCENTRIC SEAL	



<b>5M Nr.</b> 5M No.	9202.022.5	
<b>ORG. REF. NO</b>	MCK1237 - 3092263	
<b>APPLICATION</b> Uygulama	C DUCO, D DUCO, LE DUCO	
<b>DESCRIPTION</b> Açıklama	CALIPER ADJUSTING MECHANISM REPAIR KIT (RIGHT) KALİPER AYAR MEKANİZMASI TAMİR TAKIMI (SAĞ)	
<b>1</b>	ADJUSTING MECHANISM	<b>4</b> DUST COVER
<b>2</b>	TAPPET	<b>5</b> MECHANISM SEAL
<b>3</b>	SNAP RING	<b>6</b> BUSH (PLASTIC)



# FOR MERITOR TYPE



<b>5M Nr.</b> 5M No.	9202.189.5	
<b>ORG. REF. NO</b>		
<b>APPLICATION</b> Uygulama	C DUCO, D DUCO, LE DUCO	
<b>DESCRIPTION</b> Açıklama	CALIPER ADJUSTING MECHANISM REPAIR KIT (RIGHT)/HALF KIT KALİPER AYAR MEKANİZMASI TAMİR TAKIMI (SAĞ)/YARIM	
<b>1</b>	ADJUSTING MECHANISM	<b>4</b> DUST COVER
<b>2</b>	TAPPET	<b>5</b> MECHANISM SEAL
<b>3</b>	SNAP RING	<b>6</b> BUSH (PLASTIC)



<b>5M Nr.</b> 5M No.	9202.021.5	
<b>ORG. REF. NO</b>	MCK1236 - 3092262	
<b>APPLICATION</b> Uygulama	C DUCO, D DUCO, LE DUCO	
<b>DESCRIPTION</b> Açıklama	CALIPER ADJUSTING MECHANISM REPAIR KIT (LEFT) KALİPER AYAR MEKANİZMASI TAMİR TAKIMI (SOL)	
<b>1</b>	ADJUSTING MECHANISM	<b>4</b> DUST COVER
<b>2</b>	TAPPET	<b>5</b> MECHANISM SEAL
<b>3</b>	SNAP RING	<b>6</b> BUSH (PLASTIC)



<b>5M Nr.</b> 5M No.	9202.190.5	
<b>ORG. REF. NO</b>		
<b>APPLICATION</b> Uygulama	C DUCO, D DUCO, LE DUCO	
<b>DESCRIPTION</b> Açıklama	CALIPER ADJUSTING MECHANISM REPAIR KIT (LEFT) / HALF KIT KALİPER AYAR MEKANİZMASI TAMİR TAKIMI (SOL) / YARIM	
<b>1</b>	ADJUSTING MECHANISM	<b>4</b> DUST COVER
<b>2</b>	TAPPET	<b>5</b> MECHANISM SEAL
<b>3</b>	SNAP RING	<b>6</b> BUSH (PLASTIC)



<b>5M Nr.</b> 5M No.	9202.191.5	
<b>ORG. REF. NO</b>		
<b>APPLICATION</b> Uygulama	ELSA 1	
<b>DESCRIPTION</b> Açıklama	CALIPER ADJUSTING GEAR (RIGHT - 35 mm) KALİPER AYAR DİŞLİSİ (SAĞ - 35 mm)	
<b>1</b>	ADJUSTING GEAR	

# FOR MERITOR TYPE



<b>5M Nr.</b> 5M No.	9202.192.5
<b>ORG. REF. NO</b>	
<b>APPLICATION</b> Uygulama	ELSA 1
<b>DESCRIPTION</b> Açıklama	CALIPER ADJUSTING GEAR (LEFT - 35 mm) KALİPER AYAR DIŞLİSİ (SOL - 35 mm)
<b>1</b>	ADJUSTING GEAR



<b>5M Nr.</b> 5M No.	9202.193.5
<b>ORG. REF. NO</b>	
<b>APPLICATION</b> Uygulama	ELSA 1
<b>DESCRIPTION</b> Açıklama	CALIPER ADJUSTING GEAR KIT (RIGHT - 35 mm) KALİPER AYAR DIŞLİSİ TAKIMI (SAĞ - 35 mm)
<b>1</b>	ADJUSTING GEAR SHEET
<b>2</b>	METAL CAP
<b>3</b>	ADJUSTING GEAR



<b>5M Nr.</b> 5M No.	9202.194.5
<b>ORG. REF. NO</b>	
<b>APPLICATION</b> Uygulama	ELSA 1
<b>DESCRIPTION</b> Açıklama	CALIPER ADJUSTING GEAR KIT (LEFT - 35 mm) KALİPER AYAR DIŞLİSİ TAKIMI (SOL - 35 mm)
<b>1</b>	ADJUSTING GEAR SHEET
<b>2</b>	METAL CAP
<b>3</b>	ADJUSTING GEAR



<b>5M Nr.</b> 5M No.	9202.195.5
<b>ORG. REF. NO</b>	
<b>APPLICATION</b> Uygulama	ELSA 1
<b>DESCRIPTION</b> Açıklama	CALIPER ADJUSTING GEAR KIT (RIGHT - 35 mm) KALİPER AYAR DIŞLİSİ TAKIMI (SAĞ - 35 mm)
<b>1</b>	ADJUSTING GEAR SHEET
<b>2</b>	METAL CAP
<b>3</b>	ADJUSTING GEAR
<b>4</b>	ADJUSTING GEAR BUSH

# FOR MERITOR TYPE



<b>5M Nr.</b> 5M No.	9202.196.5
<b>ORG. REF. NO</b>	
<b>APPLICATION</b> Uygulama	ELSA 1
<b>DESCRIPTION</b> Açıklama	CALIPER ADJUSTING GEAR KIT (LEFT - 35 mm) KALİPER AYAR DİŞLİSİ TAKIMI (SOL - 35 mm)
<b>1</b>	ADJUSTING GEAR SHEET
<b>2</b>	METAL CAP
<b>3</b>	ADJUSTING GEAR
<b>4</b>	ADJUSTING GEAR BUSH



<b>5M Nr.</b> 5M No.	9202.197.5
<b>ORG. REF. NO</b>	
<b>APPLICATION</b> Uygulama	ELSA 1
<b>DESCRIPTION</b> Açıklama	CALIPER ADJUSTING GEAR KIT (RIGHT - 37.5 mm) KALİPER AYAR DİŞLİSİ TAKIMI (SAĞ - 37.5 mm)
<b>1</b>	ADJUSTING GEAR



<b>5M Nr.</b> 5M No.	9202.198.5
<b>ORG. REF. NO</b>	
<b>APPLICATION</b> Uygulama	ELSA 1
<b>DESCRIPTION</b> Açıklama	CALIPER ADJUSTING GEAR KIT (LEFT - 37.5 mm) KALİPER AYAR DİŞLİSİ TAKIMI (SOL - 37.5 mm)
<b>1</b>	ADJUSTING GEAR



<b>5M Nr.</b> 5M No.	9202.199.5
<b>ORG. REF. NO</b>	
<b>APPLICATION</b> Uygulama	ELSA 1
<b>DESCRIPTION</b> Açıklama	CALIPER ADJUSTING GEAR KIT (RIGHT - 37.5 mm) KALİPER AYAR DİŞLİSİ TAKIMI (SAĞ - 37.5 mm)
<b>1</b>	ADJUSTING GEAR SHEET
<b>2</b>	METAL CAP
<b>3</b>	ADJUSTING GEAR

# FOR MERITOR TYPE



<b>5M Nr.</b> 5M No.	9202.200.5
<b>ORG. REF. NO</b>	
<b>APPLICATION</b> Uygulama	ELSA 1
<b>DESCRIPTION</b> Açıklama	CALIPER ADJUSTING GEAR KIT (LEFT - 37.5 mm) KALİPER AYAR DIŞLİSİ TAKIMI (SOL - 37.5 mm)
<b>1</b>	ADJUSTING GEAR SHEET
<b>2</b>	METAL CAP
<b>3</b>	ADJUSTING GEAR



<b>5M Nr.</b> 5M No.	9202.201.5
<b>ORG. REF. NO</b>	
<b>APPLICATION</b> Uygulama	ELSA 1
<b>DESCRIPTION</b> Açıklama	CALIPER ADJUSTING GEAR KIT (RIGHT - 37.5 mm) KALİPER AYAR DIŞLİSİ TAKIMI (SAĞ - 37.5 mm)
<b>1</b>	ADJUSTING GEAR SHEET
<b>2</b>	METAL CAP
<b>3</b>	ADJUSTING GEAR
<b>4</b>	ADJUSTING GEAR BUSH



<b>5M Nr.</b> 5M No.	9202.202.5
<b>ORG. REF. NO</b>	
<b>APPLICATION</b> Uygulama	ELSA 1
<b>DESCRIPTION</b> Açıklama	CALIPER ADJUSTING GEAR KIT (LEFT - 37.5 mm) KALİPER AYAR DIŞLİSİ TAKIMI (SOL - 37.5 mm)
<b>1</b>	ADJUSTING GEAR SHEET
<b>2</b>	METAL CAP
<b>3</b>	ADJUSTING GEAR
<b>4</b>	ADJUSTING GEAR BUSH



<b>5M Nr.</b> 5M No.	9202.203.5
<b>ORG. REF. NO</b>	
<b>APPLICATION</b> Uygulama	ELSA 1
<b>DESCRIPTION</b> Açıklama	CALIPER ADJUSTING GEAR BUSH (35 mm) KALİPER AYAR DIŞLİSİ BURCU (35 mm)
<b>1</b>	ADJUSTING GEAR BUSH



# FOR MERITOR TYPE



<b>5M Nr.</b> 5M No.	9202.204.5	
<b>ORG. REF. NO</b>		
<b>APPLICATION</b> Uygulama	ELSA 1	
<b>DESCRIPTION</b> Açıklama	CALIPER ADJUSTING GEAR BUSH (37.5 mm) KALİPER AYAR DİŞLİSİ BURCU (37.5 mm)	
<b>1</b>	ADJUSTING GEAR BUSH	



<b>5M Nr.</b> 5M No.	9202.205.5	
<b>ORG. REF. NO</b>		
<b>APPLICATION</b> Uygulama	ELSA 1	
<b>DESCRIPTION</b> Açıklama	CALIPER SPRING KALİPER YAYI	
<b>1</b>	CALIPER SPRING	



<b>5M Nr.</b> 5M No.	9202.088.5	
<b>ORG. REF. NO</b>		
<b>APPLICATION</b> Uygulama	ELSA 1	
<b>DESCRIPTION</b> Açıklama	CALIPER ADJUSTING MECHANISM (RIGHT) KALİPER AYAR MEKANİZMASI (SAĞ)	
<b>1</b>	ADJUSTING MECHANISM CLUTCH	
<b>2</b>	SPRING PIN	



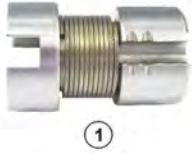
<b>5M Nr.</b> 5M No.	9202.089.5	
<b>ORG. REF. NO</b>		
<b>APPLICATION</b> Uygulama	ELSA 1	
<b>DESCRIPTION</b> Açıklama	CALIPER ADJUSTING MECHANISM (LEFT) KALİPER AYAR MEKANİZMASI (SOL)	
<b>1</b>	ADJUSTING MECHANISM CLUTCH	
<b>2</b>	SPRING PIN	



# FOR MERITOR TYPE



5M Nr. 5M No.	9202.206.5
ORG. REF. NO	
APPLICATION Uygulama	ELSA 1
DESCRIPTION Açıklama	CALIPER ADJUSTING GEAR KIT KALİPER AYAR DİŞLİSİ TAKIMI
1	ADJUSTING GEAR
2	SPRING



5M Nr. 5M No.	9202.207.5		
ORG. REF. NO			
APPLICATION Uygulama	ELSA 1		
DESCRIPTION Açıklama	CALIPER ADJUSTING MECHANISM REPAIR KIT (RIGHT) KALİPER AYAR MEKANİZMASI TAMİR TAKIMI (SAĞ)		
1	ADJUSTING MECHANISM CLUTCH	3	ADJUSTING GEAR
2	SPRING PIN	4	SPRING



5M Nr. 5M No.	9202.208.5		
ORG. REF. NO			
APPLICATION Uygulama	ELSA 1		
DESCRIPTION Açıklama	CALIPER ADJUSTING MECHANISM REPAIR KIT (LEFT) KALİPER AYAR MEKANİZMASI TAMİR TAKIMI (SOL)		
1	ADJUSTING MECHANISM CLUTCH	3	ADJUSTING GEAR
2	SPRING PIN	4	SPRING



5M Nr. 5M No.	9202.098.5		
ORG. REF. NO			
APPLICATION Uygulama	ELSA 1		
DESCRIPTION Açıklama	CALIPER ADJUSTING GEAR SHEET (35 mm) KALİPER AYAR DİŞLİSİ SACI (35 mm)		
1	ADJUSTING GEAR SHEET		

# FOR MERITOR TYPE



<b>5M Nr.</b> 5M No.	9202.099.5	
<b>ORG. REF. NO</b>		
<b>APPLICATION</b> Uygulama	ELSA 1	
<b>DESCRIPTION</b> Açıklama	CALIPER ADJUSTING GEAR SHEET (37.5 mm) KALİPER AYAR DIŞLİSİ SACI (37.5 mm)	
<b>1</b>	ADJUSTING GEAR SHEET	



<b>5M Nr.</b> 5M No.	9202.209.5	
<b>ORG. REF. NO</b>		
<b>APPLICATION</b> Uygulama	ELSA 1	
<b>DESCRIPTION</b> Açıklama	CALIPER METAL CAP KALİPER METAL BAŞLIK	
<b>1</b>	METAL CAP	



<b>5M Nr.</b> 5M No.	9202.210.5	
<b>ORG. REF. NO</b>		
<b>APPLICATION</b> Uygulama	ELSA 1	
<b>DESCRIPTION</b> Açıklama	CALIPER SPRING RETAINER KIT (RIGHT) KALİPER KİLİT YAYI TAKIMI (SAĞ)	
<b>1</b>	SPRING	<b>5</b> SCREW
<b>2</b>	SPRING RETAINER	
<b>3</b>	PIN RETAINER	
<b>4</b>	SPRING PIN	



<b>5M Nr.</b> 5M No.	9202.112.5	
<b>ORG. REF. NO</b>		
<b>APPLICATION</b> Uygulama	ELSA 1	
<b>DESCRIPTION</b> Açıklama	CALIPER SPRING (RIGHT) KALİPER YAYI (SAĞ)	
<b>1</b>	SPRING	



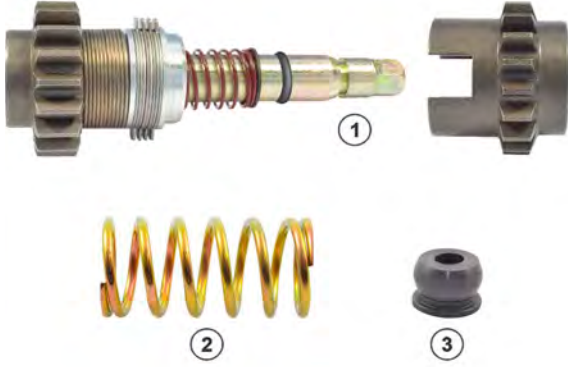
# FOR MERITOR TYPE



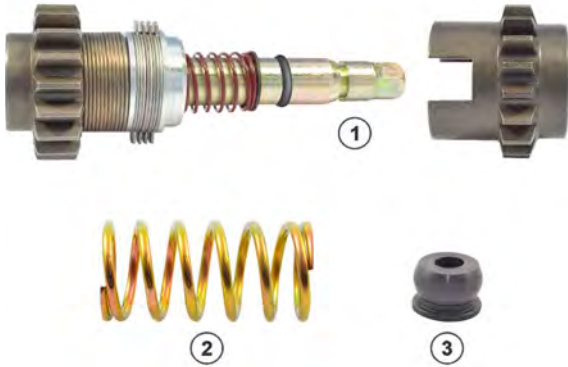
<b>5M Nr.</b> 5M No.	9202.211.5		
<b>ORG. REF. NO</b>			
<b>APPLICATION</b> Uygulama	ELSA 1		
<b>DESCRIPTION</b> Açıklama	CALIPER SPRING RETAINER KIT (LEFT) KALİPER KİLİT YAYI TAKIMI (SOL)		
<b>1</b>	SPRING	<b>5</b>	SCREW
<b>2</b>	SPRING RETAINER		
<b>3</b>	PIN RETAINER		
<b>4</b>	SPRING PIN		



<b>5M Nr.</b> 5M No.	9202.113.5		
<b>ORG. REF. NO</b>			
<b>APPLICATION</b> Uygulama	ELSA 1		
<b>DESCRIPTION</b> Açıklama	CALIPER SPRING (LEFT) KALİPER YAYI (SOL)		
<b>1</b>	SPRING		



<b>5M Nr.</b> 5M No.	9202.052.5		
<b>ORG. REF. NO</b>	SJ4113 - 3092763		
<b>APPLICATION</b> Uygulama	C LISA - D LISA		
<b>DESCRIPTION</b> Açıklama	CALIPER ADJUSTING MECHANISM (LEFT) KALİPER AYAR MEKANİZMASI (SOL)		
<b>1</b>	ADJUSTING MECHANISM		
<b>2</b>	SPRING		
<b>3</b>	BOOT		



<b>5M Nr.</b> 5M No.	9202.053.5		
<b>ORG. REF. NO</b>	SJ4114 - 3092764		
<b>APPLICATION</b> Uygulama	C LISA - D LISA		
<b>DESCRIPTION</b> Açıklama	CALIPER ADJUSTING MECHANISM (RIGHT) KALİPER AYAR MEKANİZMASI (SAĞ)		
<b>1</b>	ADJUSTING MECHANISM		
<b>2</b>	SPRING		
<b>3</b>	BOOT		



# FOR MERITOR TYPE



<b>5M Nr.</b> 5M No.	9202.018.5	
<b>ORG. REF. NO</b>	MCK1151 - MCK1021 - 85104857	
<b>APPLICATION</b> Uygulama	C LISA - D LISA	
<b>DESCRIPTION</b> Açıklama	CALIPER ADJUSTING GEAR KIT (LEFT) KALİPER AYAR DİŞLİSİ TAKIMI (SOL)	
1	ADJUSTING SHAFT	5 GREASE NIPPLE
2	HOUSING	
3	BALL BEARING	
4	PIN	



<b>5M Nr.</b> 5M No.	9202.019.5	
<b>ORG. REF. NO</b>	MCK1152 - MCK1022 - 85104828	
<b>APPLICATION</b> Uygulama	C LISA - D LISA	
<b>DESCRIPTION</b> Açıklama	CALIPER ADJUSTING GEAR KIT (RIGHT) KALİPER AYAR DİŞLİSİ TAKIMI (SAĞ)	
1	ADJUSTING SHAFT	5 GREASE NIPPLE
2	HOUSING	
3	BALL BEARING	
4	PIN	



<b>5M Nr.</b> 5M No.	9202.212.5	
<b>ORG. REF. NO</b>		
<b>APPLICATION</b> Uygulama	C LISA - D LISA	
<b>DESCRIPTION</b> Açıklama	CALIPER ADJUSTING SHAFT (LEFT) KALİPER AYAR DİŞLİSİ ŞAFTI (SOL)	
1	ADJUSTING SHAFT	
2	GREASE NIPPLE	



<b>5M Nr.</b> 5M No.	9202.213.5	
<b>ORG. REF. NO</b>		
<b>APPLICATION</b> Uygulama	C LISA - D LISA	
<b>DESCRIPTION</b> Açıklama	CALIPER ADJUSTING SHAFT (RIGHT) KALİPER AYAR DİŞLİSİ ŞAFTI (SAĞ)	
1	ADJUSTING SHAFT	
2	GREASE NIPPLE	

# FOR MERITOR TYPE



<b>5M Nr.</b> 5M No.	9202.214.5	
<b>ORG. REF. NO</b>		
<b>APPLICATION</b> Uygulama	C LISA - D LISA	
<b>DESCRIPTION</b> Açıklama	CALIPER HOUSING (LEFT) KALİPER YUVASI (SOL)	
<b>1</b>	HOUSING	



<b>5M Nr.</b> 5M No.	9202.215.5	
<b>ORG. REF. NO</b>		
<b>APPLICATION</b> Uygulama	C LISA - D LISA	
<b>DESCRIPTION</b> Açıklama	CALIPER HOUSING (RIGHTT) KALİPER YUVASI (SAĞ)	
<b>1</b>	HOUSING	



<b>5M Nr.</b> 5M No.	9202.036.5	
<b>ORG. REF. NO</b>	SJ4031 - 8550893	
<b>APPLICATION</b> Uygulama	C LISA - D LISA	
<b>DESCRIPTION</b> Açıklama	CALIPER BEARING KIT KALİPER BİLYA TAKIMI	
<b>1</b>	BEARING	<b>5</b> RING
<b>2</b>	BUSH	
<b>3</b>	METAL SHEET	
<b>4</b>	BEARING	



<b>5M Nr.</b> 5M No.	9202.216.5	
<b>ORG. REF. NO</b>		
<b>APPLICATION</b> Uygulama	C LISA - D LISA	
<b>DESCRIPTION</b> Açıklama	CALIPER BEARING KIT KALİPER BİLYA TAKIMI	
<b>1</b>	BEARING	<b>5</b> SEAL 40x57x4.5
<b>2</b>	BUSH	<b>6</b> SEAL
<b>3</b>	METAL SHEET	
<b>4</b>	BEARING	

# FOR MERITOR TYPE



<b>5M Nr.</b> 5M No.	9202.217.5
<b>ORG. REF. NO</b>	
<b>APPLICATION</b> Uygulama	C LISA - D LISA
<b>DESCRIPTION</b> Açıklama	CALIPER BALL BEARING KALİPER BİLYA
<b>1</b>	BALL BEARING



<b>5M Nr.</b> 5M No.	9202.218.5
<b>ORG. REF. NO</b>	
<b>APPLICATION</b> Uygulama	C LISA - D LISA
<b>DESCRIPTION</b> Açıklama	CALIPER GEAR SMALL (RIGHT) KALİPER KÜÇÜK DİŞLİ (SAĞ)
<b>1</b>	ADJUSTING GEAR



<b>5M Nr.</b> 5M No.	9202.219.5
<b>ORG. REF. NO</b>	
<b>APPLICATION</b> Uygulama	C LISA - D LISA
<b>DESCRIPTION</b> Açıklama	CALIPER GEAR SMALL (LEFT) KALİPER KÜÇÜK DİŞLİ (SOL)
<b>1</b>	ADJUSTING GEAR



<b>5M Nr.</b> 5M No.	9202.041.5
<b>ORG. REF. NO</b>	SJ4074 - 3098111
<b>APPLICATION</b> Uygulama	C LISA - D LISA
<b>DESCRIPTION</b> Açıklama	CALIPER GEAR SMALL (RIGHT) KALİPER KÜÇÜK DİŞLİ (SAĞ)
<b>1</b>	ADJUSTING GEAR
<b>2</b>	SPRING



# FOR MERITOR TYPE



<b>5M Nr.</b> 5M No.	9202.040.5	
<b>ORG. REF. NO</b>	SJ4073 - 3098110	
<b>APPLICATION</b> Uygulama	C LISA - D LISA	
<b>DESCRIPTION</b> Açıklama	CALIPER GEAR SMALL (LEFT) KALİPER KÜÇÜK DİŞLİ (SOL)	
<b>1</b>	ADJUSTING GEAR	
<b>2</b>	SPRING	



<b>5M Nr.</b> 5M No.	9202.087.5	
<b>ORG. REF. NO</b>		
<b>APPLICATION</b> Uygulama	MB, MAN, RVI	
<b>DESCRIPTION</b> Açıklama	CALIPER GEAR BIG (RIGHT) KALİPER BÜYÜK DİŞLİ (SAĞ)	
<b>1</b>	ADJUSTING GEAR	



<b>5M Nr.</b> 5M No.	9202.086.5	
<b>ORG. REF. NO</b>		
<b>APPLICATION</b> Uygulama	MB, MAN, RVI	
<b>DESCRIPTION</b> Açıklama	CALIPER GEAR BIG (LEFT) KALİPER BÜYÜK DİŞLİ (SOL)	
<b>1</b>	ADJUSTING GEAR	



<b>5M Nr.</b> 5M No.	9202.220.5	
<b>ORG. REF. NO</b>		
<b>APPLICATION</b> Uygulama	MB, MAN, RVI	
<b>DESCRIPTION</b> Açıklama	CALIPER SHAFT SHORT (RIGHT) KALİPER KISA ŞAFT (SAĞ)	
<b>1</b>	SHAFT SHORT (26 THREAD)	



# FOR MERITOR TYPE



<b>5M Nr.</b> 5M No.	9202.221.5
<b>ORG. REF. NO</b>	
<b>APPLICATION</b> Uygulama	MB, MAN, RVI
<b>DESCRIPTION</b> Açıklama	CALIPER SHAFT SHORT (LEFT) KALİPER KISA ŞAFT (SOL)
<b>1</b>	SHAFT SHORT (26 THREAD)



<b>5M Nr.</b> 5M No.	9202.222.5
<b>ORG. REF. NO</b>	
<b>APPLICATION</b> Uygulama	MB, MAN, RVI
<b>DESCRIPTION</b> Açıklama	CALIPER SHAFT SHORT (RIGHT) KALİPER KISA ŞAFT (SAĞ)
<b>1</b>	SHAFT SHORT (48 THREAD)



<b>5M Nr.</b> 5M No.	9202.223.5
<b>ORG. REF. NO</b>	
<b>APPLICATION</b> Uygulama	MB, MAN, RVI
<b>DESCRIPTION</b> Açıklama	CALIPER SHAFT SHORT (LEFT) KALİPER KISA ŞAFT (SOL)
<b>1</b>	SHAFT SHORT (48 THREAD)



<b>5M Nr.</b> 5M No.	9202.224.5
<b>ORG. REF. NO</b>	
<b>APPLICATION</b> Uygulama	MB, MAN, RVI
<b>DESCRIPTION</b> Açıklama	CALIPER SHAFT LONG (RIGHT) KALİPER UZUN ŞAFT (SAĞ)
<b>1</b>	SHAFT LONG (26 THREAD)



# FOR MERITOR TYPE



<b>5M Nr.</b> 5M No.	9202.225.5
<b>ORG. REF. NO</b>	
<b>APPLICATION</b> Uygulama	MB, MAN, RVI
<b>DESCRIPTION</b> Açıklama	CALIPER SHAFT LONG (LEFT) KALİPER UZUN ŞAFT (SOL)
<b>1</b>	SHAFT LONG (26 THREAD)



<b>5M Nr.</b> 5M No.	9202.226.5
<b>ORG. REF. NO</b>	
<b>APPLICATION</b> Uygulama	MB, MAN, RVI
<b>DESCRIPTION</b> Açıklama	CALIPER HOUSING (LEFT) KALİPER YATAĞI (SOL)
<b>1</b>	HOUSING

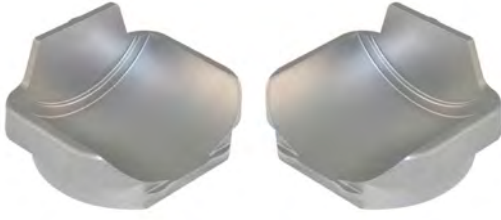


<b>5M Nr.</b> 5M No.	9202.227.5
<b>ORG. REF. NO</b>	
<b>APPLICATION</b> Uygulama	MB, MAN, RVI
<b>DESCRIPTION</b> Açıklama	CALIPER HOUSING (RIGHT) KALİPER YATAĞI (SAĞ)
<b>1</b>	HOUSING

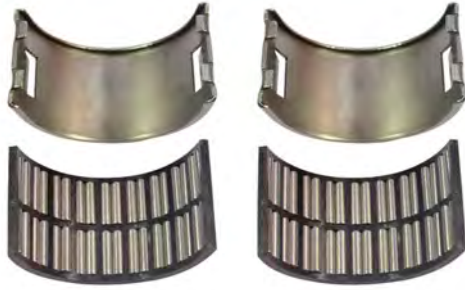


<b>5M Nr.</b> 5M No.	9202.228.5
<b>ORG. REF. NO</b>	
<b>APPLICATION</b> Uygulama	ELSA 2, ELSA 195, ELSA 225, EX 225
<b>DESCRIPTION</b> Açıklama	CALIPER ROLLER BEARING KIT KALİPER BİLYA & YATAK TAKIMI
<b>1</b>	BAERING CAP
<b>2</b>	ROLLER BEARING

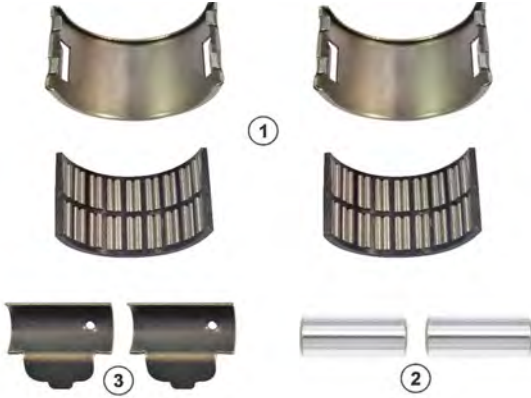
# FOR MERITOR TYPE



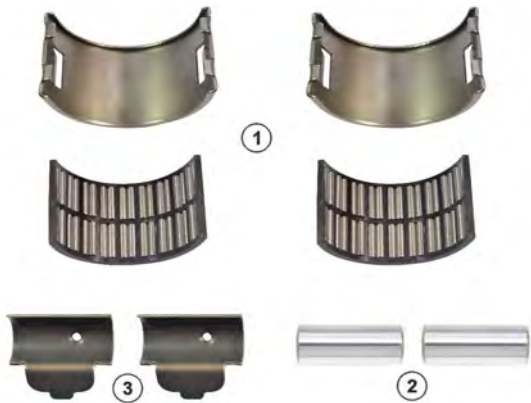
<b>5M Nr.</b> 5M No.	9202.075.5
<b>ORG. REF. NO</b>	
<b>APPLICATION</b> Uygulama	ELSA 2, ELSA 195, ELSA 225, EX 225
<b>DESCRIPTION</b> Açıklama	CALIPER BEARING CAP KALİPER BİLYA YATAĞI
<b>1</b>	BEARING CAP



<b>5M Nr.</b> 5M No.	9202.063.5
<b>ORG. REF. NO</b>	
<b>APPLICATION</b> Uygulama	ELSA 1, ELSA 2, ELSA 195, ELSA 225, EX 225
<b>DESCRIPTION</b> Açıklama	CALIPER ROLLER BEARING KIT KALİPER BİLYA & YATAK TAKIMI
<b>1</b>	ROLLER BEARING



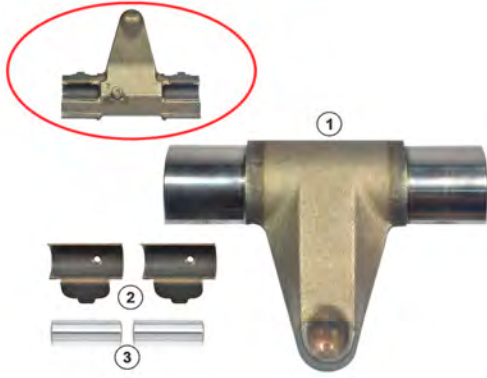
<b>5M Nr.</b> 5M No.	9202.044.5
<b>ORG. REF. NO</b>	SJ4098 - 3092261
<b>APPLICATION</b> Uygulama	DUCO
<b>DESCRIPTION</b> Açıklama	CALIPER ROLLER BEARING KIT KALİPER BİLYA & YATAK TAKIMI
<b>1</b>	ROLLER BEARING
<b>2</b>	PIN
<b>3</b>	LEVER BEARING



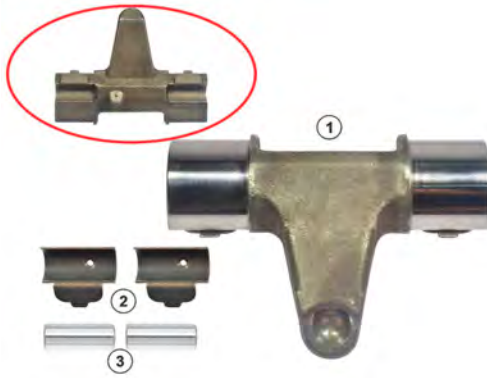
<b>5M Nr.</b> 5M No.	9202.051.5
<b>ORG. REF. NO</b>	SJ4112 - 3092329
<b>APPLICATION</b> Uygulama	DUCO, ELSA, EX225
<b>DESCRIPTION</b> Açıklama	CALIPER ROLLER BEARING KIT KALİPER BİLYA & YATAK TAKIMI
<b>1</b>	ROLLER BEARING
<b>2</b>	PIN
<b>3</b>	LEVER BEARING



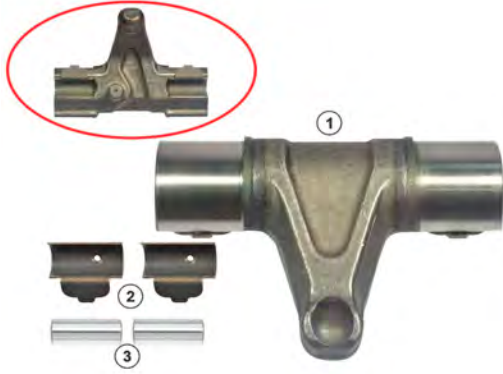
# FOR MERITOR TYPE



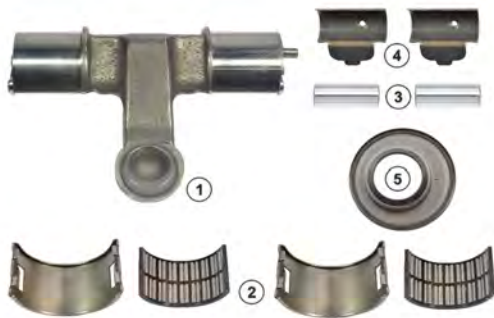
<b>5M Nr.</b> 5M No.	9202.077.5	
<b>ORG. REF. NO</b>		
<b>APPLICATION</b> Uygulama	ELSA 2	
<b>DESCRIPTION</b> Açıklama	CALIPER LEVER (LEFT - RIGHT) KALİPER KOL (SOL - SAĞ)	
<b>1</b>	LEVER	
<b>2</b>	LEVER BEARING	
<b>3</b>	PIN	



<b>5M Nr.</b> 5M No.	9202.229.5	
<b>ORG. REF. NO</b>		
<b>APPLICATION</b> Uygulama	ELSA 195 - ELSA 225	
<b>DESCRIPTION</b> Açıklama	CALIPER LEVER (LEFT - RIGHT) KALİPER KOL (SOL - SAĞ)	
<b>1</b>	LEVER	
<b>2</b>	LEVER BEARING	
<b>3</b>	PIN	



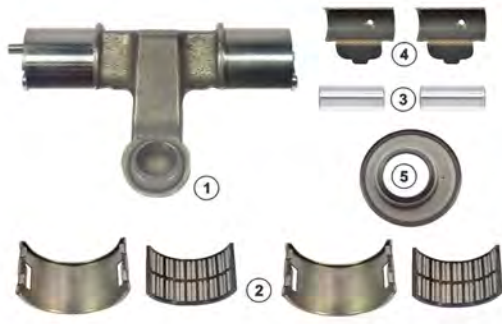
<b>5M Nr.</b> 5M No.	9202.230.5	
<b>ORG. REF. NO</b>		
<b>APPLICATION</b> Uygulama	EX 225	
<b>DESCRIPTION</b> Açıklama	CALIPER LEVER (LEFT - RIGHT) KALİPER KOL (SOL - SAĞ)	
<b>1</b>	LEVER	
<b>2</b>	LEVER BEARING	
<b>3</b>	PIN	



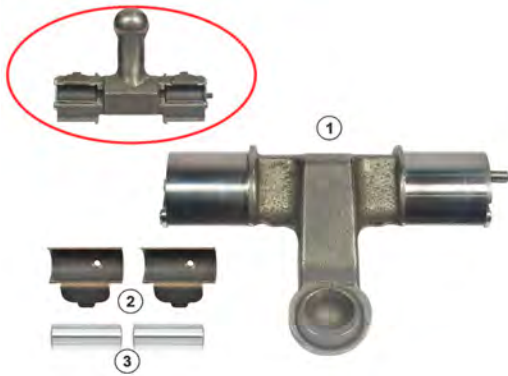
<b>5M Nr.</b> 5M No.	9202.231.5	
<b>ORG. REF. NO</b>	SJ4096 - MCK1398 - 85109975 - 3092258	
<b>APPLICATION</b> Uygulama	DUCO	
<b>DESCRIPTION</b> Açıklama	CALIPER LEVER REPAIR KIT (LEFT) KALİPER KOL TAMİR TAKIMI (SOL)	
<b>1</b>	LEVER	<b>5</b> ECCENTRIC SEAL
<b>2</b>	ROLLER BEARING	
<b>3</b>	PIN	
<b>4</b>	LEVER BEARING	



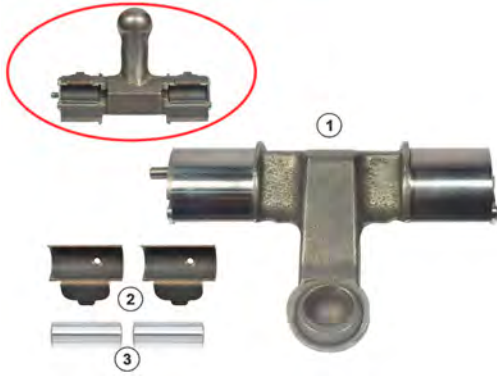
# FOR MERITOR TYPE



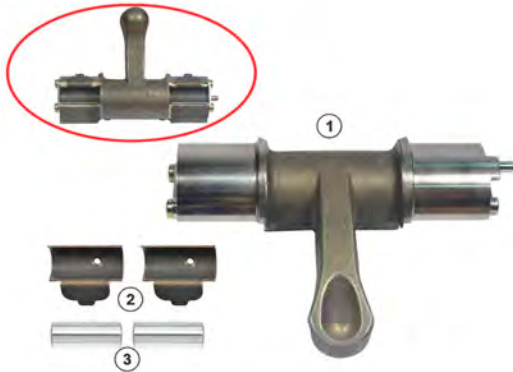
<b>5M Nr.</b> 5M No.	9202.232.5	
<b>ORG. REF. NO</b>	SJ4097 - MCK1399 - 85109976 - 3092259 - 21109754	
<b>APPLICATION</b> Uygulama	DUCO	
<b>DESCRIPTION</b> Açıklama	CALIPER LEVER REPAIR KIT (RIGHT) KALİPER KOL TAMİR TAKIMI (SAĞ)	
<b>1</b>	LEVER	<b>5</b> ECCENTRIC SEAL
<b>2</b>	ROLLER BEARING	
<b>3</b>	PIN	
<b>4</b>	LEVER BEARING	



<b>5M Nr.</b> 5M No.	9202.233.5	
<b>ORG. REF. NO</b>		
<b>APPLICATION</b> Uygulama	DUCO	
<b>DESCRIPTION</b> Açıklama	CALIPER LEVER (LEFT) KALİPER KOL (SOL)	
<b>1</b>	LEVER	
<b>2</b>	LEVER BEARING	
<b>3</b>	PIN	



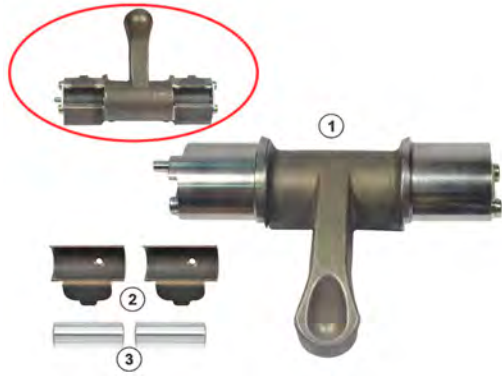
<b>5M Nr.</b> 5M No.	9202.234.5	
<b>ORG. REF. NO</b>		
<b>APPLICATION</b> Uygulama	DUCO	
<b>DESCRIPTION</b> Açıklama	CALIPER LEVER (RIGHT) KALİPER KOL (SAĞ)	
<b>1</b>	LEVER	
<b>2</b>	LEVER BEARING	
<b>3</b>	PIN	



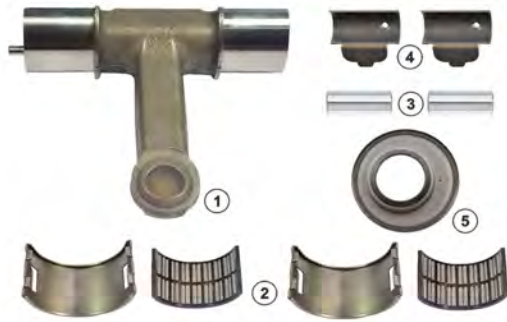
<b>5M Nr.</b> 5M No.	9202.235.5	
<b>ORG. REF. NO</b>		
<b>APPLICATION</b> Uygulama	ELSA 1	
<b>DESCRIPTION</b> Açıklama	CALIPER LEVER (LEFT) KALİPER KOL (SOL)	
<b>1</b>	LEVER	
<b>2</b>	LEVER BEARING	
<b>3</b>	PIN	



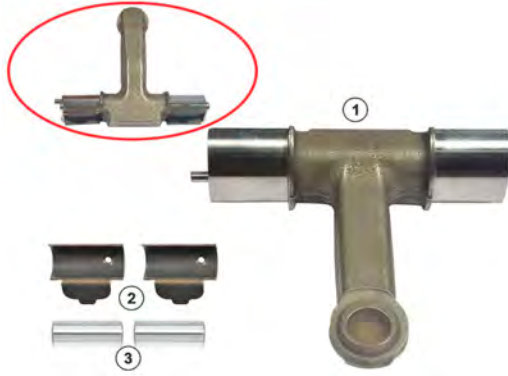
# FOR MERITOR TYPE



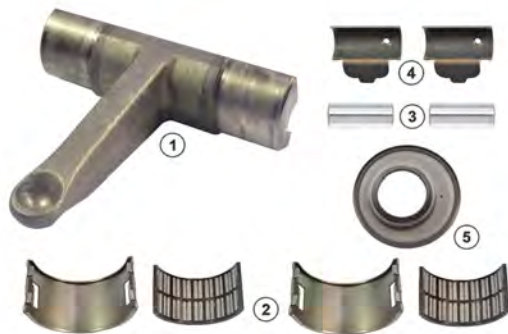
<b>5M Nr.</b> 5M No.	9202.236.5	
<b>ORG. REF. NO</b>		
<b>APPLICATION</b> Uygulama	ELSA 1	
<b>DESCRIPTION</b> Açıklama	CALIPER LEVER (RIGHT) KALİPER KOL (SAĞ)	
<b>1</b>	LEVER	
<b>2</b>	LEVER BEARING	
<b>3</b>	PIN	



<b>5M Nr.</b> 5M No.	9202.048.5	
<b>ORG. REF. NO</b>	SJ4108 - 21109755 - 3092260 - 85109977	
<b>APPLICATION</b> Uygulama	DUCO	
<b>DESCRIPTION</b> Açıklama	CALIPER LEVER REPAIR KIT (LEFT - RIGHT) KALİPER KOL TAMİR TAKIMI (SOL - SAĞ)	
<b>1</b>	LEVER	<b>5</b> ECCENTRIC SEAL
<b>2</b>	ROLLER BEARING	
<b>3</b>	PIN	
<b>4</b>	LEVER BEARING	



<b>5M Nr.</b> 5M No.	9202.237.5	
<b>ORG. REF. NO</b>		
<b>APPLICATION</b> Uygulama	DUCO	
<b>DESCRIPTION</b> Açıklama	CALIPER LEVER (LEFT - RIGHT) KALİPER KOL (SOL - SAĞ)	
<b>1</b>	LEVER	
<b>2</b>	LEVER BEARING	
<b>3</b>	PIN	



<b>5M Nr.</b> 5M No.	9202.238.5	
<b>ORG. REF. NO</b>	SJ4018	
<b>APPLICATION</b> Uygulama	ELSA 2	
<b>DESCRIPTION</b> Açıklama	CALIPER LEVER REPAIR KIT (LEFT - RIGHT) KALİPER KOL TAMİR TAKIMI (SOL - SAĞ)	
<b>1</b>	LEVER	<b>5</b> ECCENTRIC SEAL
<b>2</b>	ROLLER BEARING	
<b>3</b>	PIN	
<b>4</b>	LEVER BEARING	

# FOR MERITOR TYPE



<b>5M Nr.</b> 5M No.	9202.092.5	
<b>ORG. REF. NO</b>		
<b>APPLICATION</b> Uygulama	ELSA 2	
<b>DESCRIPTION</b> Açıklama	CALIPER LEVER (LEFT - RIGHT) KALİPER KOL (SOL - SAĞ)	
<b>1</b>	LEVER	
<b>2</b>	LEVER BEARING	
<b>3</b>	PIN	



<b>5M Nr.</b> 5M No.	9202.042.5	
<b>ORG. REF. NO</b>	SJ4077 - 3098109	
<b>APPLICATION</b> Uygulama	LISA	
<b>DESCRIPTION</b> Açıklama	CALIPER BOOT KIT KALİPER KÖRÜK TAKIMI	
<b>1</b>	BOOT	
<b>2</b>	BOOT	



<b>5M Nr.</b> 5M No.	9202.239.5	
<b>ORG. REF. NO</b>		
<b>APPLICATION</b> Uygulama	LISA	
<b>DESCRIPTION</b> Açıklama	CALIPER BOOT KALİPER KÖRÜK	
<b>1</b>	BOOT	



<b>5M Nr.</b> 5M No.	9202.240.5	
<b>ORG. REF. NO</b>	SJ4053	
<b>APPLICATION</b> Uygulama	ELSA 2, ELSA 195, ELSA 225, EX 225	
<b>DESCRIPTION</b> Açıklama	CALIPER BOOT KALİPER KÖRÜK	
<b>1</b>	BOOT	



# FOR MERITOR TYPE



<b>5M Nr.</b> 5M No.	9202.241.5
<b>ORG. REF. NO</b>	68324854PK10
<b>APPLICATION</b> Uygulama	ELSA 2, ELSA 195, ELSA 225, EX 225
<b>DESCRIPTION</b> Açıklama	CALIPER DUST COVER KALİPER TOZ KÖRÜĞÜ
<b>1</b>	DUST COVER



<b>5M Nr.</b> 5M No.	9202.015.5
<b>ORG. REF. NO</b>	MCK1139 - 85107913 - 81508026024
<b>APPLICATION</b> Uygulama	ELSA 2, ELSA 195, ELSA 225, EX 225
<b>DESCRIPTION</b> Açıklama	CALIPER DUST COVER KALİPER TOZ KÖRÜĞÜ
<b>1</b>	DUST COVER



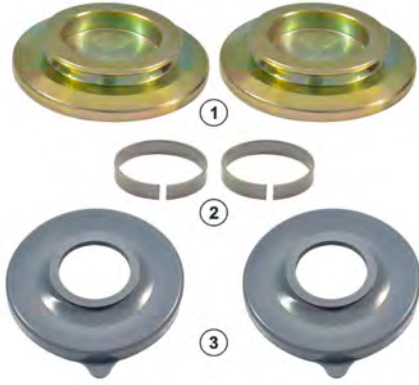
<b>5M Nr.</b> 5M No.	9202.061.5
<b>ORG. REF. NO</b>	ST1156 - 81508026016
<b>APPLICATION</b> Uygulama	ELSA 1
<b>DESCRIPTION</b> Açıklama	CALIPER DUST COVER KALİPER TOZ KÖRÜĞÜ
<b>1</b>	DUST COVER



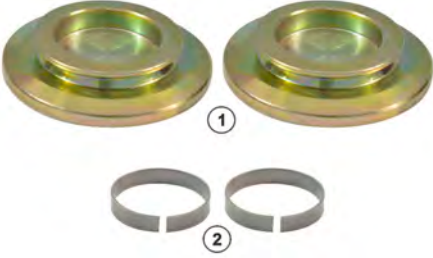
<b>5M Nr.</b> 5M No.	9202.023.5
<b>ORG. REF. NO</b>	MCK1238 - 3092264
<b>APPLICATION</b> Uygulama	B DUCO, C DUCO, D DUCO, LE DUCO
<b>DESCRIPTION</b> Açıklama	CALIPER REPAIR KIT KALİPER TAMİR TAKIMI
<b>1</b>	DUST COVER
<b>2</b>	TAPPET
<b>3</b>	SNAP RING



# FOR MERITOR TYPE



<b>5M Nr.</b> 5M No.	9202.242.5	
<b>ORG. REF. NO</b>	MCK1309 -.5001866398	
<b>APPLICATION</b> Uygulama	ELSA 2, ELSA 195, ELSA 225, EX 225	
<b>DESCRIPTION</b> Açıklama	CALIPER REPAIR KIT KALİPER TAMİR TAKIMI	
<b>1</b>	TAPPET	
<b>2</b>	PISTON RING	
<b>3</b>	DUST COVER	



<b>5M Nr.</b> 5M No.	9202.243.5	
<b>ORG. REF. NO</b>		
<b>APPLICATION</b> Uygulama	ELSA 2, ELSA 195 ,ELSA 225, EX 225	
<b>DESCRIPTION</b> Açıklama	CALIPER TAPPET REPAIR KIT İTİCİ KOL TAKIMI	
<b>1</b>	TAPPET	
<b>2</b>	PISTON RING	



<b>5M Nr.</b> 5M No.	9202.244.5	
<b>ORG. REF. NO</b>		
<b>APPLICATION</b> Uygulama	B DUCO, C DUCO, D DUCO, LE DUCO	
<b>DESCRIPTION</b> Açıklama	CALIPER TAPPET REPAIR KIT İTİCİ KOL TAKIMI	
<b>1</b>	TAPPET	
<b>2</b>	SNAP RING	



<b>5M Nr.</b> 5M No.	9202.012.5	
<b>ORG. REF. NO</b>	MCK1118 - 85102092	
<b>APPLICATION</b> Uygulama	D DUCO	
<b>DESCRIPTION</b> Açıklama	CALIPER REPAIR KIT (FRONT) KALİPER TAMİR TAKIMI (ÖN)	
<b>1</b>	GUIDE PIN Ø35x102 mm	<b>5</b> RING
<b>2</b>	SCREW M20x2x125 mm	<b>6</b> METAP TAP
<b>3</b>	BUSH (PLASTIC)	<b>7</b> BUSH
<b>4</b>	BOOT	



# FOR MERITOR TYPE



<b>5M Nr.</b> 5M No.	9202.011.5	
<b>ORG. REF. NO</b>	MCK1116 - 85102094	
<b>APPLICATION</b> Uygulama	B DUCO, C DUCO, D DUCO, LE DUCO	
<b>DESCRIPTION</b> Açıklama	CALIPER REPAIR KIT (REAR) KALİPER TAMİR TAKIMI (ARKA)	
<b>1</b>	GUIDE PIN Ø35x102 mm	<b>9</b> BUSH
<b>2</b>	SCREW M20x2x125 mm	
<b>3</b>	GUIDE PIN Ø35x60 mm	
<b>4</b>	SCREW M20x2x80 mm	
<b>5</b>	BOOT	
<b>6</b>	RING	
<b>7</b>	METAL TAP	
<b>8</b>	BUSH (PLASTIC)	




<b>5M Nr.</b> 5M No.	9202.014.5	
<b>ORG. REF. NO</b>	MCK1135 - 85103891	
<b>APPLICATION</b> Uygulama	D DUCO	
<b>DESCRIPTION</b> Açıklama	CALIPER REPAIR KIT KALİPER TAMİR TAKIMI	
<b>1</b>	GUIDE PIN Ø35x102 mm	
<b>2</b>	SCREW M20x2x125 mm	
<b>3</b>	BUSH (PLASTIC)	
<b>4</b>	BOOT	
<b>5</b>	METAL TAP	
<b>6</b>	RING	
<b>7</b>	BUSH	



<b>5M Nr.</b> 5M No.	9202.013.5	
<b>ORG. REF. NO</b>	MCK1134 - 85103892	
<b>APPLICATION</b> Uygulama	B DUCO, C DUCO, D DUCO	
<b>DESCRIPTION</b> Açıklama	CALIPER REPAIR KIT KALİPER TAMİR TAKIMI	
<b>1</b>	GUIDE PIN Ø35x102 mm	<b>9</b> BUSH
<b>2</b>	SCREW M20x2x125 mm	
<b>3</b>	GUIDE PIN Ø35x60 mm	
<b>4</b>	SCREW M20x2x80 mm	
<b>5</b>	BUSH (PLASTIC)	
<b>6</b>	BOOT	
<b>7</b>	METAL TAP	
<b>8</b>	RING	


# FOR MERITOR TYPE



<b>5M Nr.</b> 5M No.	9202.245.5	
<b>ORG. REF. NO</b>	MCK1298 - 851098 -5001866989	
<b>APPLICATION</b> Uygulama	ELSA 195,ELSA 225,EX 225	
<b>DESCRIPTION</b> Açıklama	CALIPER REPAIR KIT KALİPER TAMİR TAKIMI	
<b>1</b>	GUIDE PIN Ø35x117 mm	<b>9</b> BUSH
<b>2</b>	SCREW M18x1.5x120 mm	<b>10</b> SCREW M16x1.5x40 mm
<b>3</b>	GUIDE PIN Ø31x78 mm	<b>11</b> SCREW M14x1.5x40 mm
<b>4</b>	SCREW M18x1.5x82 mm	
<b>5</b>	BOOT	
<b>6</b>	RING	
<b>7</b>	METAL TAP	
<b>8</b>	BUSH	




<b>5M Nr.</b> 5M No.	9202.025.5	
<b>ORG. REF. NO</b>	MCK1254	
<b>APPLICATION</b> Uygulama	ELSA 195, ELSA 225, EX 225	
<b>DESCRIPTION</b> Açıklama	CALIPER REPAIR KIT KALİPER TAMİR TAKIMI	
<b>1</b>	GUIDE PIN Ø35x117 mm	<b>9</b> BUSH
<b>2</b>	SCREW M18x1.5x120 mm	<b>10</b> SCREW M16x1.5x40 mm
<b>3</b>	GUIDE PIN Ø31x78 mm	
<b>4</b>	SCREW M18x1.5x82 mm	
<b>5</b>	BOOT	
<b>6</b>	RING	
<b>7</b>	METAL TAP	
<b>8</b>	BUSH	




<b>5M Nr.</b> 5M No.	9202.246.5	
<b>ORG. REF. NO</b>		
<b>APPLICATION</b> Uygulama	ELSA 195, ELSA 225, EX 225	
<b>DESCRIPTION</b> Açıklama	CALIPER REPAIR KIT KALİPER TAMİR TAKIMI	
<b>1</b>	GUIDE PIN Ø35x117 mm	<b>9</b> BUSH
<b>2</b>	SCREW M18x1.5x120 mm	
<b>3</b>	GUIDE PIN Ø31x78 mm	
<b>4</b>	SCREW M18x1.5x82 mm	
<b>5</b>	BOOT	
<b>6</b>	RING	
<b>7</b>	METAL TAP	
<b>8</b>	BUSH	

# FOR MERITOR TYPE


	<b>5M Nr.</b> 5M No.	<b>9202.071.5</b>	
	<b>ORG. REF. NO</b>	MCK1317 - 85109899 -.5001866385	
	<b>APPLICATION</b> Uygulama	ELSA 195, ELSA 225, EX 225	
	<b>DESCRIPTION</b> Açıklama	CALIPER REPAIR KIT KALİPER TAMİR TAKIMI	
	<b>1</b>	GUIDE PIN Ø35x117 mm	<b>9</b> SCREW M16x1.5x40 mm
	<b>2</b>	SCREW M18x1.5x120 mm	
	<b>3</b>	GUIDE PIN Ø31x117 mm	
	<b>4</b>	BOOT	
	<b>5</b>	RING	
	<b>6</b>	METAL TAP	
	<b>7</b>	BUSH	
	<b>8</b>	BUSH	

	<b>5M Nr.</b> 5M No.	<b>9202.038.5</b>	
	<b>ORG. REF. NO</b>	SJ4052 -.5001845385	
	<b>APPLICATION</b> Uygulama	C LISA	
	<b>DESCRIPTION</b> Açıklama	CALIPER REPAIR KIT KALİPER TAMİR TAKIMI	
	<b>1</b>	GUIDE PIN Ø30x115 mm	<b>9</b> BUSH
	<b>2</b>	SCREW M18x1.5x135 mm	<b>10</b> METAL TAP
	<b>3</b>	GUIDE PIN Ø30x75 mm	
	<b>4</b>	SCREW M18x1.5x95 mm	
	<b>5</b>	BUSH	
	<b>6</b>	METAL TAP	
	<b>7</b>	BOOT	
	<b>8</b>	RING	

	<b>5M Nr.</b> 5M No.	<b>9202.003.5</b>	
	<b>ORG. REF. NO</b>	SJ4076 - MCK1104 -.5001837006 - 3098108	
	<b>APPLICATION</b> Uygulama	D LISA	
	<b>DESCRIPTION</b> Açıklama	CALIPER REPAIR KIT KALİPER TAMİR TAKIMI	
	<b>1</b>	GUIDE PIN Ø35x131 mm	<b>9</b> BUSH
	<b>2</b>	SCREW M20x1.5x150 mm	<b>10</b> BUSH (Ø35xØ41x30)
	<b>3</b>	GUIDE PIN Ø35x79 mm	
	<b>4</b>	SCREW M20x1.5x100 mm	
	<b>5</b>	BOOT	
	<b>6</b>	METAL TAP	
	<b>7</b>	RING	
	<b>8</b>	BUSH	



# FOR MERITOR TYPE




5M Nr. 9202.247.5  
5M No.

ORG. REF. NO

APPLICATION Uygulama ELSA 1

DESCRIPTION Açıklama

1	GUIDE PIN Ø35x135 mm	9	RING
2	SCREW M20x1.5x150 mm	10	BUSH
3	GUIDE PIN Ø35x72 mm	11	DUST COVER
4	SCREW M20x1.5x90 mm		
5	BUSH		
6	RING		
7	BOOT		
8	METAL TAP		




5M Nr. 9202.001.5  
5M No.

ORG. REF. NO MCK1102 - 81508026017 - 81508026020 - 81508026021

APPLICATION Uygulama ELSA 1

DESCRIPTION Açıklama CALIPER REPAIR KIT  
KALİPER TAMİR TAKIMI

1	GUIDE PIN Ø35x135 mm	9	RING
2	SCREW M20x1.5x150 mm	10	BUSH
3	GUIDE PIN Ø35x72 mm		
4	SCREW M20x1.5x90 mm		
5	BUSH		
6	RING		
7	BOOT		
8	METAL TAP		



5M Nr. 9202.248.5  
5M No.

ORG. REF. NO

APPLICATION Uygulama ELSA 1

DESCRIPTION Açıklama CALIPER REPAIR KIT  
KALİPER TAMİR TAKIMI

1	GUIDE PIN Ø35x135 mm	9	RING
2	SCREW M20x1.5x150 mm	10	DUST COVER
3	GUIDE PIN Ø28.5x110 mm		
4	RUBBER BUSH		
5	BOOT		
6	METAL TAP		
7	BUSH		
8	RING		

# FOR MERITOR TYPE



<b>5M Nr.</b> 5M No.	9202.007.5		
<b>ORG. REF. NO</b>	MCK1103 - 81508026022		
<b>APPLICATION</b> Uygulama	ELSA 1		
<b>DESCRIPTION</b> Açıklama	CALIPER REPAIR KIT KALİPER TAMİR TAKIMI		
<b>1</b>	GUIDE PIN Ø35x135 mm	<b>9</b>	RING
<b>2</b>	SCREW M20x1.5x150 mm		
<b>3</b>	GUIDE PIN Ø28.5x110 mm		
<b>4</b>	RUBBER BUSH		
<b>5</b>	BOOT		
<b>6</b>	METAL TAP		
<b>7</b>	BUSH		
<b>8</b>	RING		



<b>5M Nr.</b> 5M No.	9202.070.5		
<b>ORG. REF. NO</b>	MCK1243 - MCK1140 - 5001860791 - 85107912 - 81508026025		
<b>APPLICATION</b> Uygulama	ELSA 2		
<b>DESCRIPTION</b> Açıklama	CALIPER REPAIR KIT KALİPER TAMİR TAKIMI		
<b>1</b>	GUIDE PIN Ø35x144 mm	<b>9</b>	BUSH
<b>2</b>	SCREW M18x1.5x150 mm	<b>10</b>	SCREW M10x1.25x20 mm
<b>3</b>	GUIDE PIN Ø31x84 mm	<b>11</b>	SCREW M16x1.5x40 mm
<b>4</b>	SCREW M18x1.5x90 mm		
<b>5</b>	BOOT		
<b>6</b>	METAL TAP		
<b>7</b>	RING		
<b>8</b>	BUSH		

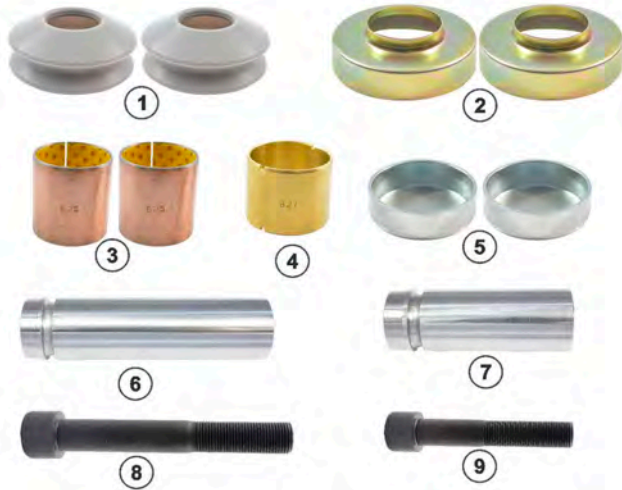


<b>5M Nr.</b> 5M No.	9202.249.5		
<b>ORG. REF. NO</b>			
<b>APPLICATION</b> Uygulama	ELSA 2		
<b>DESCRIPTION</b> Açıklama	CALIPER REPAIR KIT KALİPER TAMİR TAKIMI		
<b>1</b>	GUIDE PIN Ø35x125 mm	<b>9</b>	SCREW M16x1.5x40 mm
<b>2</b>	SCREW M20x1.5x150 mm	<b>10</b>	BUSH
<b>3</b>	GUIDE PIN Ø33/35x66 mm	<b>11</b>	DUST COVER
<b>4</b>	SCREW M20x1.5x90 mm		
<b>5</b>	METAL RING		
<b>6</b>	SCREW M10x1.25x20 mm		
<b>7</b>	BOOT		
<b>8</b>	METAL TAP		

# FOR MERITOR TYPE



<b>5M Nr.</b> 5M No.	9202.002.5		
<b>ORG. REF. NO</b>	MCK1086 -.5001858717		
<b>APPLICATION</b> Uygulama	ELSA 2		
<b>DESCRIPTION</b> Açıklama	CALIPER REPAIR KIT KALİPER TAMİR TAKIMI		
1	GUIDE PIN Ø35x125 mm	9	SCREW M16x1.5x40 mm
2	SCREW M20x1.5x150 mm	10	BUSH
3	GUIDE PIN Ø33/35x66 mm		
4	SCREW M20x1.5x90 mm		
5	METAL RING		
6	SCREW M10x1.25x20 mm		
7	BOOT		
8	METAL TAP		



<b>5M Nr.</b> 5M No.	9202.080.5		
<b>ORG. REF. NO</b>	SJ4011 - MCK1213 - 0004200676 - 81508026008 - 81508026009 - SJ1228		
<b>APPLICATION</b> Uygulama	MB MAN		
<b>DESCRIPTION</b> Açıklama	CALIPER REPAIR KIT KALİPER TAMİR TAKIMI		
1	DUST COVER	9	SCREW M18x1.5x95 mm
2	METAL TAP		
3	BUSH		
4	BUSH		
5	METAL TAP		
6	GUIDE PIN Ø32x117 mm		
7	GUIDE PIN Ø32x73 mm		
8	SCREW M18x1.5x120 mm		



<b>5M Nr.</b> 5M No.	9202.250.5		
<b>ORG. REF. NO</b>	SJ4001 -.5001822994		
<b>APPLICATION</b> Uygulama	MB, RVI		
<b>DESCRIPTION</b> Açıklama	CALIPER REPAIR KIT KALİPER TAMİR TAKIMI		
1	DUST COVER		
2	METAL TAP		
3	METAL TAP		
4	GUIDE PIN Ø32x117 mm		
5	GUIDE PIN Ø32x73 mm		
6	SCREW M18x1.5x120 mm		
7	SCREW M18x1.5x95 mm		



# FOR MERITOR TYPE



5M Nr. 9202.037.5  
5M No.

ORG. REF. NO SJ4032

APPLICATION C LISA, D LISA  
Uygulama

DESCRIPTION CALIPER REPAIR KIT  
Açıklama KALİPER TAMİR TAKIMI

1	GASKET		
2	BOOT		
3	O-RING		
4	BOOT		
5	BOOT		
6	BOOT		



5M Nr. 9202.043.5  
5M No.

ORG. REF. NO SJ4078 - 3098113 - 3097526

APPLICATION D LISA  
Uygulama

DESCRIPTION CALIPER REPAIR KIT  
Açıklama KALİPER TAMİR TAKIMI

1	GASKET	9	SEAL
2	BOOT	10	GREASE NIPPLE
3	O-RING		
4	BOOT		
5	BOOT		
6	METAL RING		
7	SEAL 40x57x4.5 mm		
8	BOOT		



5M Nr. 9202.039.5  
5M No.

ORG. REF. NO SJ4061

APPLICATION C LISA  
Uygulama

DESCRIPTION CALIPER REPAIR KIT  
Açıklama KALİPER TAMİR TAKIMI

1	GASKET		
2	BOOT		
3	O-RING		
4	BOOT		
5	METAL RING		
6	SEAL 40x57x4.5 mm		
7	BOOT		
8	SEAL		



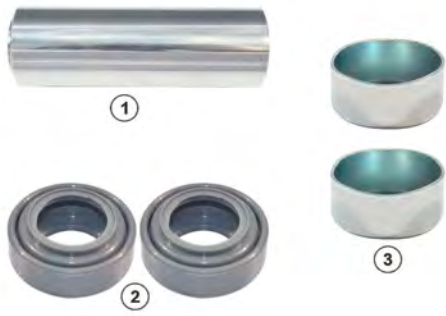
# FOR MERITOR TYPE



<b>5M Nr.</b> 5M No.	9202.251.5		
<b>ORG. REF. NO</b>	MCK1244 -.5001860792		
<b>APPLICATION</b> Uygulama	ELSA 2, ELSA 195, ELSA 225, EX 225		
<b>DESCRIPTION</b> Açıklama	CALIPER REPAIR KIT KALİPER TAMİR TAKIMI		
<b>1</b>	DUST COVER	<b>5</b>	SCREW M16x1.5x40 mm
<b>2</b>	BOOT	<b>6</b>	SEAL
<b>3</b>	DUST COVER		
<b>4</b>	METAL TAP		



<b>5M Nr.</b> 5M No.	9202.026.5		
<b>ORG. REF. NO</b>	MCK1299 - 3095628 - 85107718		
<b>APPLICATION</b> Uygulama	B DUCO, C DUCO, D DUCO, LE DUCO		
<b>DESCRIPTION</b> Açıklama	CALIPER REPAIR KIT KALİPER TAMİR TAKIMI		
<b>1</b>	GUIDE PIN Ø35x102 mm	<b>5</b>	SCREW M20x2x80 mm
<b>2</b>	SCREW M20x2x125 mm		
<b>3</b>	BOOT		
<b>4</b>	METAL TAP		



<b>5M Nr.</b> 5M No.	9202.106.5		
<b>ORG. REF. NO</b>	MCK1065		
<b>APPLICATION</b> Uygulama	B DUCO, C DUCO, D DUCO, LE DUCO		
<b>DESCRIPTION</b> Açıklama	CALIPER REPAIR KIT KALİPER TAMİR TAKIMI		
<b>1</b>	GUIDE PIN Ø35x102 mm		
<b>2</b>	BOOT		
<b>3</b>	METAL TAP		



<b>5M Nr.</b> 5M No.	9202.252.5		
<b>ORG. REF. NO</b>	225200		
<b>APPLICATION</b> Uygulama	ELSA 195, ELSA 225, EX 225		
<b>DESCRIPTION</b> Açıklama	CALIPER REPAIR KIT KALİPER TAMİR TAKIMI		
<b>1</b>	GUIDE PIN Ø35x117 mm	<b>5</b>	SCREW M16x1.5x40 mm
<b>2</b>	SCREW M18x1.5x120 mm	<b>6</b>	BOOT
<b>3</b>	GUIDE PIN Ø31x78 mm	<b>7</b>	DUST COVER
<b>4</b>	SCREW M18x1.5x82 mm		

# FOR MERITOR TYPE



<b>5M Nr.</b> 5M No.	9202.253.5	
<b>ORG. REF. NO</b>	MCK1310 - 85109892 - .5001868400	
<b>APPLICATION</b> Uygulama	ELSA 195, ELSA 225, EX 225	
<b>DESCRIPTION</b> Açıklama	CALIPER REPAIR KIT KALİPER TAMİR TAKIMI	
<b>1</b>	SCREW M16x1.5x40 mm	<b>5</b> METAL TAP
<b>2</b>	SCREW M14x1.5x40 mm	
<b>3</b>	SCREW M18x1.5x120 mm	
<b>4</b>	BOOT	



<b>5M Nr.</b> 5M No.	9202.254.5	
<b>ORG. REF. NO</b>	225221	
<b>APPLICATION</b> Uygulama	ELSA 195, ELSA 225, EX 225	
<b>DESCRIPTION</b> Açıklama	CALIPER REPAIR KIT KALİPER TAMİR TAKIMI	
<b>1</b>	SCREW M16x1.5x40 mm	
<b>2</b>	BOOT	
<b>3</b>	DUST COVER	
<b>4</b>	DUST COVER	



<b>5M Nr.</b> 5M No.	9202.255.5	
<b>ORG. REF. NO</b>	MCK1087	
<b>APPLICATION</b> Uygulama	ELSA 195, ELSA 225, EX 225	
<b>DESCRIPTION</b> Açıklama	CALIPER REPAIR KIT KALİPER TAMİR TAKIMI	
<b>1</b>	SCREW M14x1.5x40 mm	
<b>2</b>	BOOT	
<b>3</b>	METAL TAP	
<b>4</b>	SCREW M10x1.25x20 mm	



<b>5M Nr.</b> 5M No.	9202.256.5	
<b>ORG. REF. NO</b>	MCK1253	
<b>APPLICATION</b> Uygulama	ELSA 195, ELSA 225, EX 225	
<b>DESCRIPTION</b> Açıklama	CALIPER REPAIR KIT KALİPER TAMİR TAKIMI	
<b>1</b>	SCREW M16x1.5x40 mm	
<b>2</b>	BOOT	
<b>3</b>	METAL TAP	

# FOR MERITOR TYPE



<b>5M Nr.</b> 5M No.	9202.006.5	
<b>ORG. REF. NO</b>		
<b>APPLICATION</b> Uygulama	ELSA 2, ELSA 195, ELSA 225, EX 225	
<b>DESCRIPTION</b> Açıklama	CALIPER REPAIR KIT KALİPER TAMİR TAKIMI	
<b>1</b>	DUST COVER	<b>5</b> SEAL
<b>2</b>	BOOT	
<b>3</b>	DUST COVER	
<b>4</b>	SCREW M16x1.5x40 mm	



<b>5M Nr.</b> 5M No.	9202.257.5	
<b>ORG. REF. NO</b>	MCK1088	
<b>APPLICATION</b> Uygulama	ELSA 2, ELSA 195, ELSA 225, EX 225	
<b>DESCRIPTION</b> Açıklama	CALIPER REPAIR KIT KALİPER TAMİR TAKIMI	
<b>1</b>	DUST COVER	
<b>2</b>	BOOT	
<b>3</b>	DUST COVER	
<b>4</b>	SEAL	



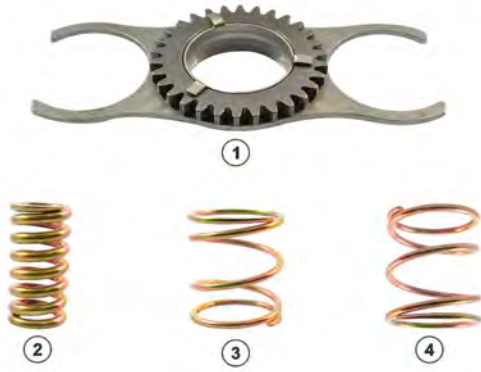
<b>5M Nr.</b> 5M No.	9202.035.5	
<b>ORG. REF. NO</b>	SJ4021 - 8550881	
<b>APPLICATION</b> Uygulama	D LISA	
<b>DESCRIPTION</b> Açıklama	CALIPER REPAIR KIT KALİPER TAMİR TAKIMI	
<b>1</b>	SCREW M20x1.5x150 mm	
<b>2</b>	SCREW M20x1.5x100 mm	
<b>3</b>	METAL TAP	



<b>5M Nr.</b> 5M No.	9202.005.5	
<b>ORG. REF. NO</b>	MCK1067 - 3095626	
<b>APPLICATION</b> Uygulama	D DUCO	
<b>DESCRIPTION</b> Açıklama	CALIPER GEAR AND SPRINGS KIT KALİPER DİŞLİ VE YAY TAKIMI	
<b>1</b>	CENTER GEAR SHEET	<b>5</b> PAD RETAINER
<b>2</b>	SPRING Ø6x61 mm	
<b>3</b>	SPRING Ø4x55 mm	
<b>4</b>	SPRING Ø4x61 mm	



# FOR MERITOR TYPE



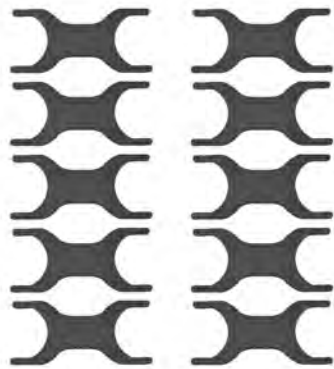
<b>5M Nr.</b> 5M No.	9202.258.5	
<b>ORG. REF. NO</b>		
<b>APPLICATION</b> Uygulama	D DUCO	
<b>DESCRIPTION</b> Açıklama	CALIPER GEAR AND SPRINGS KIT KALİPER DİŞLİ VE YAY TAKIMI	
1	CENTER GEAR SHEET	
2	SPRING Ø6x61 mm	
3	SPRING Ø4x55 mm	
4	SPRING Ø4x61 mm	



<b>5M Nr.</b> 5M No.	9202.259.5	
<b>ORG. REF. NO</b>		
<b>APPLICATION</b> Uygulama	D DUCO	
<b>DESCRIPTION</b> Açıklama	CALIPER GEAR AND SPRINGS KIT KALİPER DİŞLİ VE YAY TAKIMI	
1	CENTER GEAR SHEET	
2	SPRING Ø4x55 mm	
3	SPRING Ø6x61 mm	



<b>5M Nr.</b> 5M No.	9202.260.5		
<b>ORG. REF. NO</b>	MCK1129 - 85102099		
<b>APPLICATION</b> Uygulama	D DUCO, LE DUCO		
<b>DESCRIPTION</b> Açıklama	CALIPER GEAR AND SPRINGS KIT KALİPER DİŞLİ VE YAY TAKIMI		
1	CENTER GEAR SHEET	3	CENTER GEAR SPRING (SMALL)
2	CENTER GEAR SPRING (BIG)		



<b>5M Nr.</b> 5M No.	9202.261.5		
<b>ORG. REF. NO</b>	68322900PK10		
<b>APPLICATION</b> Uygulama	B DUCO, D DUCO		
<b>DESCRIPTION</b> Açıklama	CALIPER LOCKING SHIM KALİPER KİLİT SACI		
1	LOCKING SHIM		



# FOR MERITOR TYPE



<b>5M Nr.</b> 5M No.	9202.049.5
<b>ORG. REF. NO</b>	SJ4109 - 3092270
<b>APPLICATION</b> Uygulama	D DUCO RADIAL
<b>DESCRIPTION</b> Açıklama	CALIPER COVER PLATE GASKET KIT KALİPER KAPAK CONTA TAKIMI
<b>1</b>	GASKET
<b>2</b>	DUST COVER
<b>3</b>	ECCENTRIC SEAL
<b>4</b>	SEAL



<b>5M Nr.</b> 5M No.	9202.262.5
<b>ORG. REF. NO</b>	
<b>APPLICATION</b> Uygulama	D DUCO RADIAL
<b>DESCRIPTION</b> Açıklama	CALIPER COVER PLATE GASKET KALİPER KAPAK CONTA
<b>1</b>	GASKET



<b>5M Nr.</b> 5M No.	9202.004.5
<b>ORG. REF. NO</b>	MCK1041 - 3095669
<b>APPLICATION</b> Uygulama	B DUCO, C DUCO, LE DUCO
<b>DESCRIPTION</b> Açıklama	CALIPER COVER PLATE GASKET KIT KALİPER KAPAK CONTA TAKIMI
<b>1</b>	GASKET
<b>2</b>	DUST COVER
<b>3</b>	ECCENTRIC SEAL
<b>4</b>	SEAL



<b>5M Nr.</b> 5M No.	9202.263.5
<b>ORG. REF. NO</b>	
<b>APPLICATION</b> Uygulama	B DUCO, C DUCO, LE DUCO
<b>DESCRIPTION</b> Açıklama	CALIPER COVER PLATE GASKET KALİPER KAPAK CONTA
<b>1</b>	GASKET



# FOR MERITOR TYPE



<b>5M Nr.</b> 5M No.	9202.047.5
<b>ORG. REF. NO</b>	SJ4105 - 3092269
<b>APPLICATION</b> Uygulama	D DUCO
<b>DESCRIPTION</b> Açıklama	CALIPER COVER PLATE GASKET KIT KALİPER KAPAK CONTA TAKIMI
<b>1</b>	GASKET
<b>2</b>	DUST COVER
<b>3</b>	ECCENTRIC SEAL
<b>4</b>	SEAL



<b>5M Nr.</b> 5M No.	9202.264.5
<b>ORG. REF. NO</b>	68322774
<b>APPLICATION</b> Uygulama	D DUCO
<b>DESCRIPTION</b> Açıklama	CALIPER COVER PLATE GASKET KALİPER KAPAK CONTA
<b>1</b>	GASKET



<b>5M Nr.</b> 5M No.	9202.265.5
<b>ORG. REF. NO</b>	
<b>APPLICATION</b> Uygulama	ELSA 2
<b>DESCRIPTION</b> Açıklama	CALIPER CALIBRATION MECHANISM GASKET KIT KALİPER AYAR MEKANİZMASI CONTA TAKIMI
<b>1</b>	GASKET
<b>2</b>	BOOT
<b>3</b>	DUST COVER



<b>5M Nr.</b> 5M No.	9202.266.5
<b>ORG. REF. NO</b>	
<b>APPLICATION</b> Uygulama	ELSA 195, ELSA 225, EX 225
<b>DESCRIPTION</b> Açıklama	CALIPER CALIBRATION MECHANISM GASKET KIT KALİPER AYAR MEKANİZMASI CONTA TAKIMI
<b>1</b>	GASKET
<b>2</b>	BOOT
<b>3</b>	DUST COVER

# FOR MERITOR TYPE



<b>5M Nr.</b> 5M No.	9202.267.5
<b>ORG. REF. NO</b>	
<b>APPLICATION</b> Uygulama	ELSA 2
<b>DESCRIPTION</b> Açıklama	CALIPER CALIBRATION MECHANISM GASKET KALİPER AYAR MEKANİZMA CONTASI
<b>1</b>	GASKET



<b>5M Nr.</b> 5M No.	9202.076.5
<b>ORG. REF. NO</b>	
<b>APPLICATION</b> Uygulama	ELSA 195, ELSA 225, EX 225
<b>DESCRIPTION</b> Açıklama	CALIPER CALIBRATION MECHANISM GASKET KALİPER AYAR MEKANİZMA CONTASI
<b>1</b>	GASKET



<b>5M Nr.</b> 5M No.	9202.268.5
<b>ORG. REF. NO</b>	68322655PK10
<b>APPLICATION</b> Uygulama	ALL DUCO, ALL ELSA
<b>DESCRIPTION</b> Açıklama	CALIPER ADJUSTING DUST COVER KALİPER AYAR MEK. TOZ TAPASI
<b>1</b>	DUST COVER



<b>5M Nr.</b> 5M No.	9202.269.5
<b>ORG. REF. NO</b>	68322655PK10
<b>APPLICATION</b> Uygulama	D DUCO RADIAL
<b>DESCRIPTION</b> Açıklama	CALIPER ADJUSTING DUST COVER KALİPER AYAR MEK. TOZ TAPASI
<b>1</b>	DUST COVER



# FOR MERITOR TYPE



<b>5M Nr.</b> 5M No.	9202.270.5
<b>ORG. REF. NO</b>	68323746PK10
<b>APPLICATION</b> Uygulama	ELSA 2, ELSA 195, ELSA 225
<b>DESCRIPTION</b> Açıklama	CALIPER SEAL KALİPER KEÇE
<b>1</b>	SEAL



<b>5M Nr.</b> 5M No.	9202.271.5
<b>ORG. REF. NO</b>	
<b>APPLICATION</b> Uygulama	ELSA 1
<b>DESCRIPTION</b> Açıklama	CALIPER COVER PLATE GASKET KALİPER KAPAK CONTASI
<b>1</b>	GASKET



<b>5M Nr.</b> 5M No.	9202.272.5
<b>ORG. REF. NO</b>	
<b>APPLICATION</b> Uygulama	ELSA 1
<b>DESCRIPTION</b> Açıklama	CALIPER COVER PLATE GASKET KALİPER KAPAK CONTASI
<b>1</b>	GASKET



<b>5M Nr.</b> 5M No.	9202.273.5
<b>ORG. REF. NO</b>	
<b>APPLICATION</b> Uygulama	ELSA 1
<b>DESCRIPTION</b> Açıklama	CALIPER COVER PLATE GASKET KALİPER KAPAK CONTASI
<b>1</b>	GASKET



# FOR MERITOR TYPE



<b>5M Nr.</b> 5M No.	9202.102.5	
<b>ORG. REF. NO</b>		
<b>APPLICATION</b> Uygulama	MB, MAN, RVI	
<b>DESCRIPTION</b> Açıklama	CALIPER PUSH PLATE KALİPER BASKI PLAKASI	
<b>1</b>	PUSH PLATE	



<b>5M Nr.</b> 5M No.	9202.274.5	
<b>ORG. REF. NO</b>	68915080 - 68915081	
<b>APPLICATION</b> Uygulama	C LISA, D LISA	
<b>DESCRIPTION</b> Açıklama	CALIPER LEVER KALİPER KOL	
<b>1</b>	LEVER	
<b>2</b>	SCREW	



<b>5M Nr.</b> 5M No.	9202.103.5	
<b>ORG. REF. NO</b>	SJ4117 - 3092765	
<b>APPLICATION</b> Uygulama	LISA	
<b>DESCRIPTION</b> Açıklama	CALIPER PUSH PLATE KALİPER BASKI PLAKASI	
<b>1</b>	PUSH PLATE	



<b>5M Nr.</b> 5M No.	9202.275.5	
<b>ORG. REF. NO</b>	68322562PK	
<b>APPLICATION</b> Uygulama	DUCO - ELSA 1	
<b>DESCRIPTION</b> Açıklama	CALIPER MECHANISM GEAR (LEFT) KALİPER MEKANİZMA DİŞLİSİ (SOL)	
<b>1</b>	PLASTIC GEAR	

# FOR MERITOR TYPE



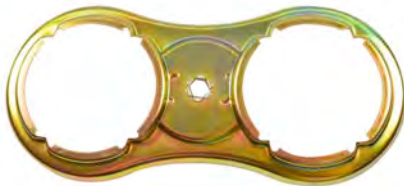
<b>5M Nr.</b> 5M No.	9202.276.5	
<b>ORG. REF. NO</b>	68322563PK	
<b>APPLICATION</b> Uygulama	DUCO - ELSA 1	
<b>DESCRIPTION</b> Açıklama	CALIPER MECHANISM GEAR (RIGHT) KALİPER MEKANİZMA DİŞLİSİ (SAĞ)	
<b>1</b>	PLASTIC GEAR	



<b>5M Nr.</b> 5M No.	9202.277.5	
<b>ORG. REF. NO</b>	68322300PK	
<b>APPLICATION</b> Uygulama	ELSA 1	
<b>DESCRIPTION</b> Açıklama	CALIPER REPAIR KIT KALİPER TAMİR TAKIMI	
<b>1</b>	RUBBER TAP	
<b>2</b>	SEAL	
<b>3</b>	BUSH	

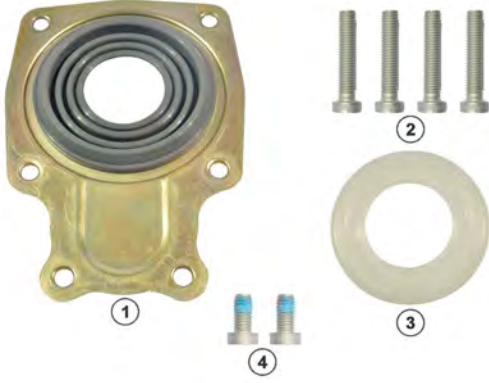


<b>5M Nr.</b> 5M No.	9202.278.5	
<b>ORG. REF. NO</b>		
<b>APPLICATION</b> Uygulama	ELSA	
<b>DESCRIPTION</b> Açıklama	CALIPER SENSOR CAP KALİPER SENSÖR KAPAK TAKIMI	
<b>1</b>	PLASTIC PLUG	<b>5</b> O-RING
<b>2</b>	PLUG SHEET	
<b>3</b>	SCREW M10x1.25x20 mm	
<b>4</b>	SEAL	



<b>5M Nr.</b> 5M No.	9202.279.5	
<b>ORG. REF. NO</b>	68321678PK	
<b>APPLICATION</b> Uygulama	ELSA 1	
<b>DESCRIPTION</b> Açıklama	CALIPER LOCKING SHIM KALİPER KİLİT SACI	
<b>1</b>	LOCKING SHIM	

# FOR MERITOR TYPE



<b>5M Nr.</b> 5M No.	9202.034.5	
<b>ORG. REF. NO</b>	SJ1212 -.5001831176 - 81508026007 - 0004230082	
<b>APPLICATION</b> Uygulama	MB, MAN, RVI	
<b>DESCRIPTION</b> Açıklama	CALIPER COVER AND BOLTS KALİPER KAPAK VE CİVATALAR	
1	COVER	
2	SCREW M8x40 mm	
3	DUST COVER	
4	SCREW M8x16 mm	



<b>5M Nr.</b> 5M No.	9202.280.5	
<b>ORG. REF. NO</b>		
<b>APPLICATION</b> Uygulama	MB, MAN, RVI	
<b>DESCRIPTION</b> Açıklama	CALIPER CLUTCH SYSTEM SMALL (RIGHT) KALİPER KÜÇÜK DEBRİYAJ SİSTEMİ (SAĞ)	
1	CALIPER GEAR	
2	TORSION SPRING	5
3	WAVY WASHER	
4	RUBBER CAP	
		5
	ADJUSTER BOLT	
	M10x1.5x50 mm	



<b>5M Nr.</b> 5M No.	9202.281.5	
<b>ORG. REF. NO</b>		
<b>APPLICATION</b> Uygulama	MB, MAN, RVI	
<b>DESCRIPTION</b> Açıklama	CALIPER CLUTCH SYSTEM SMALL (LEFT) KALİPER KÜÇÜK DEBRİYAJ SİSTEMİ (SOL)	
1	CALIPER GEAR	
2	TORSION SPRING	5
3	WAVY WASHER	
4	RUBBER CAP	
		5
	ADJUSTER BOLT	
	M10x1.5x50 mm	



<b>5M Nr.</b> 5M No.	9202.282.5	
<b>ORG. REF. NO</b>		
<b>APPLICATION</b> Uygulama	MB, MAN, RVI	
<b>DESCRIPTION</b> Açıklama	CALIPER CLUTCH SYSTEM BIG (RIGHT) KALİPER BÜYÜK DEBRİYAJ SİSTEMİ (SAĞ)	
1	TORSION SPRING	5
2	HOUSING	6
3	WASHER	
4	WASHER	
		5
	LOCKING SHIM	
		6
	SPRING	



# FOR MERITOR TYPE



<b>5M Nr.</b> 5M No.	9202.283.5	
<b>ORG. REF. NO</b>		
<b>APPLICATION</b> Uygulama	MB, MAN, RVI	
<b>DESCRIPTION</b> Açıklama	CALIPER CLUTCH SYSTEM BIG (LEFT) KALİPER BÜYÜK DEBRİYAJ SİSTEMİ (SOL)	
<b>1</b>	TORSION SPRING	<b>5</b> LOCKING SHIM
<b>2</b>	HOUSING	<b>6</b> SPRING
<b>3</b>	WASHER	
<b>4</b>	WASHER	



<b>5M Nr.</b> 5M No.	9202.284.5	
<b>ORG. REF. NO</b>	654147780414PK	
<b>APPLICATION</b> Uygulama	MB, MAN, RVI	
<b>DESCRIPTION</b> Açıklama	CALIPER DUST COVER KALİPER TOZ KÖRÜĞÜ	
<b>1</b>	DUST COVER	



<b>5M Nr.</b> 5M No.	9202.285.5	
<b>ORG. REF. NO</b>		
<b>APPLICATION</b> Uygulama	MB, MAN, RVI	
<b>DESCRIPTION</b> Açıklama	CALIPER ROLLER BEARING KIT KALİPER BİLYA TAKIMI	
<b>1</b>	ROLLER BEARING	
<b>2</b>	ROLLER BEARING	
<b>3</b>	WAVY WASHER	



<b>5M Nr.</b> 5M No.	9202.286.5	
<b>ORG. REF. NO</b>		
<b>APPLICATION</b> Uygulama	MB, MAN, RVI	
<b>DESCRIPTION</b> Açıklama	CALIPER ROLLER BEARING KALİPER BİLYASI	
<b>1</b>	ROLLER BEARING	



# FOR MERITOR TYPE



<b>5M Nr.</b> 5M No.	9202.287.5	
<b>ORG. REF. NO</b>		
<b>APPLICATION</b> Uygulama	MB, MAN, RVI	
<b>DESCRIPTION</b> Açıklama	CALIPER ROLLER BEARING KALİPER BİLYASI	
<b>1</b>	ROLLER BEARING	



<b>5M Nr.</b> 5M No.	9202.288.5	
<b>ORG. REF. NO</b>		
<b>APPLICATION</b> Uygulama	MB, MAN, RVI	
<b>DESCRIPTION</b> Açıklama	CALIPER GEAR KALİPER DİŞLİSİ	
<b>1</b>	GEAR	



<b>5M Nr.</b> 5M No.	9202.289.5	
<b>ORG. REF. NO</b>		
<b>APPLICATION</b> Uygulama	MB, MAN, RVI	
<b>DESCRIPTION</b> Açıklama	CALIPER WAVY WASHER KALİPER DALGALI RAYNEL PUL	
<b>1</b>	WAVY WASHER	



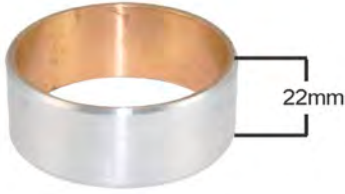
<b>5M Nr.</b> 5M No.	9202.290.5	
<b>ORG. REF. NO</b>		
<b>APPLICATION</b> Uygulama	MB, MAN, RVI	
<b>DESCRIPTION</b> Açıklama	CALIPER WAVY WASHER KALİPER DALGALI RAYNEL PUL	
<b>1</b>	WAVY WASHER	



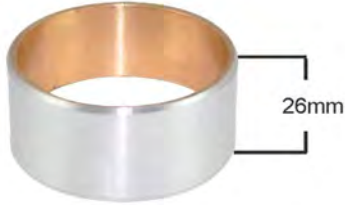
# FOR MERITOR TYPE



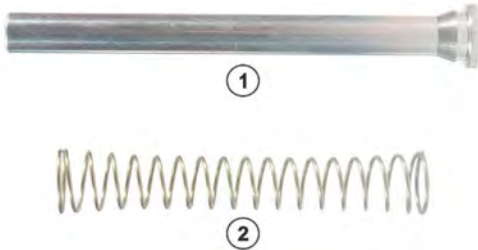
<b>5M Nr.</b> 5M No.	9202.291.5
<b>ORG. REF. NO</b>	68320507PK10
<b>APPLICATION</b> Uygulama	MB, MAN, RVI
<b>DESCRIPTION</b> Açıklama	CALIPER DUST COVER KALİPER TOZ KÖRÜĞÜ
<b>1</b>	DUST COVER



<b>5M Nr.</b> 5M No.	9202.292.5
<b>ORG. REF. NO</b>	
<b>APPLICATION</b> Uygulama	MB, MAN, RVI
<b>DESCRIPTION</b> Açıklama	CALIPER SHAFT BUSH KALİPER ŞAFT BURCU
<b>1</b>	BUSH

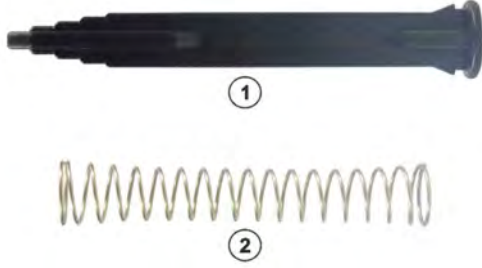


<b>5M Nr.</b> 5M No.	9202.293.5
<b>ORG. REF. NO</b>	
<b>APPLICATION</b> Uygulama	MB, MAN, RVI
<b>DESCRIPTION</b> Açıklama	CALIPER SHAFT BUSH KALİPER ŞAFT BURCU
<b>1</b>	BUSH

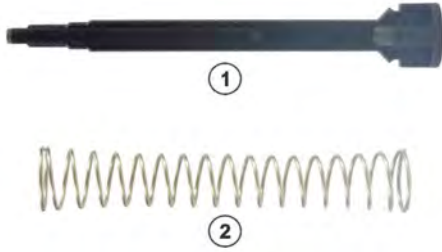


<b>5M Nr.</b> 5M No.	9202.294.5
<b>ORG. REF. NO</b>	
<b>APPLICATION</b> Uygulama	ELSA 2
<b>DESCRIPTION</b> Açıklama	CALIPER PAD WEAR ASSEMBLY KALİPER BALATA MONTAJ TAKIMI
<b>1</b>	PIN
<b>2</b>	SPRING

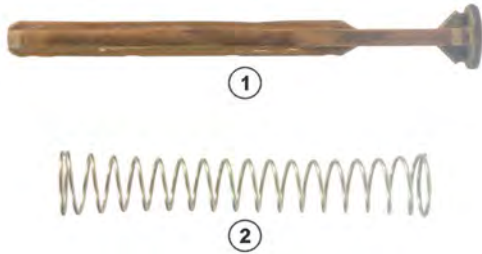
# FOR MERITOR TYPE



<b>5M Nr.</b> 5M No.	9202.295.5	
<b>ORG. REF. NO</b>	SJ4111 - 3092283	
<b>APPLICATION</b> Uygulama	B DUCO, C DUCO, D DUCO, LE DUCO	
<b>DESCRIPTION</b> Açıklama	CALIPER PAD WEAR ASSEMBLY KALİPER BALATA MONTAJ TAKIMI	
<b>1</b>	PIN	
<b>2</b>	SPRING	



<b>5M Nr.</b> 5M No.	9202.296.5	
<b>ORG. REF. NO</b>	MCK1296 - MCK1311 - 85109883	
<b>APPLICATION</b> Uygulama	ELSA 195, ELSA 225, EX 225	
<b>DESCRIPTION</b> Açıklama	CALIPER PAD WEAR ASSEMBLY KALİPER BALATA MONTAJ TAKIMI	
<b>1</b>	PIN	
<b>2</b>	SPRING	



<b>5M Nr.</b> 5M No.	9202.297.5	
<b>ORG. REF. NO</b>		
<b>APPLICATION</b> Uygulama	ELSA 2	
<b>DESCRIPTION</b> Açıklama	CALIPER PAD WEAR ASSEMBLY KALİPER BALATA MONTAJ TAKIMI	
<b>1</b>	PIN	
<b>2</b>	SPRING	



<b>5M Nr.</b> 5M No.	9202.024.5	
<b>ORG. REF. NO</b>	MCK1240	
<b>APPLICATION</b> Uygulama	ELSA 2	
<b>DESCRIPTION</b> Açıklama	CALIPER REPAIR KIT KALİPER TAMİR TAKIMI	
<b>1</b>	SCREW M16x1.5x40 mm	
<b>2</b>	PIN	
<b>3</b>	SPRING	



# FOR MERITOR TYPE



①



②

<b>5M Nr.</b> 5M No.	9202.298.5
<b>ORG. REF. NO</b>	MCK1174-.5001858719 -.5001866486 - 85107958
<b>APPLICATION</b> Uygulama	ELSA 2, ELSA 195, ELSA 225
<b>DESCRIPTION</b> Açıklama	CALIPER PAD RETAINER KALİPER BALATA TUTUCU
<b>1</b>	PAD RETAINER
<b>2</b>	SCREW M10x1.25x20 mm



①



②

<b>5M Nr.</b> 5M No.	9202.299.5
<b>ORG. REF. NO</b>	MCK1262
<b>APPLICATION</b> Uygulama	MAN TGA
<b>DESCRIPTION</b> Açıklama	CALIPER PAD RETAINER KALİPER BALATA TUTUCU
<b>1</b>	PAD RETAINER
<b>2</b>	SCREW M10x1.25x20 mm



①



②

<b>5M Nr.</b> 5M No.	9202.300.5
<b>ORG. REF. NO</b>	MCK1264
<b>APPLICATION</b> Uygulama	C DUCO, D DUCO, LE DUCO
<b>DESCRIPTION</b> Açıklama	CALIPER PAD RETAINER KALİPER BALATA TUTUCU
<b>1</b>	PAD RETAINER
<b>2</b>	SCREW M10x1.25x20 mm



①



②

<b>5M Nr.</b> 5M No.	9202.301.5
<b>ORG. REF. NO</b>	MCK1263
<b>APPLICATION</b> Uygulama	B DUCO
<b>DESCRIPTION</b> Açıklama	CALIPER PAD RETAINER KALİPER BALATA TUTUCU
<b>1</b>	PAD RETAINER
<b>2</b>	SCREW M10x1.25x20 mm





**FOR WAABCO TYPE**

# FOR WABCO TYPE



<b>5M Nr.</b> 5M No.	9203.037.5
<b>ORG. REF. NO</b>	
<b>APPLICATION</b> Uygulama	19.5 - 22.5
<b>DESCRIPTION</b> Açıklama	CALIPER ADJUSTING MECHANISM COMPLETE KALİPER KOMPLE AYAR MEKANİZMASI
<b>1</b>	ADJUSTING MECHANISM
<b>2</b>	SPRING



<b>5M Nr.</b> 5M No.	9203.038.5
<b>ORG. REF. NO</b>	
<b>APPLICATION</b> Uygulama	19.5 - 22.5
<b>DESCRIPTION</b> Açıklama	CALIPER ADJUSTING MECHANISM KALİPER AYAR MEKANİZMASI
<b>1</b>	ADJUSTING MECHANISM

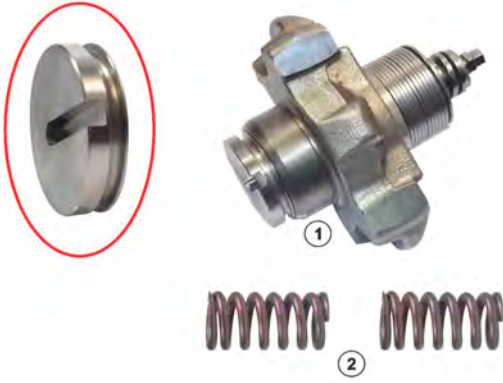


<b>5M Nr.</b> 5M No.	9203.039.5
<b>ORG. REF. NO</b>	
<b>APPLICATION</b> Uygulama	17,5
<b>DESCRIPTION</b> Açıklama	CALIPER ADJUSTING MECHANISM COMPLETE KALİPER KOMPLE AYAR MEKANİZMASI
<b>1</b>	ADJUSTING MECHANISM
<b>2</b>	SPRING



<b>5M Nr.</b> 5M No.	9203.040.5
<b>ORG. REF. NO</b>	
<b>APPLICATION</b> Uygulama	17,5
<b>DESCRIPTION</b> Açıklama	CALIPER ADJUSTING MECHANISM KALİPER AYAR MEKANİZMASI
<b>1</b>	ADJUSTING MECHANISM

# FOR WABCO TYPE



5M Nr. 5M No.	9203.041.5
ORG. REF. NO	
APPLICATION Uygulama	17,5
DESCRIPTION Açıklama	CALIPER ADJUSTING MECHANISM COMPLETE KALİPER KOMPLE AYAR MEKANİZMASI
1	ADJUSTING MECHANISM
2	SPRING



5M Nr. 5M No.	9203.042.5
ORG. REF. NO	
APPLICATION Uygulama	17,5
DESCRIPTION Açıklama	CALIPER ADJUSTING MECHANISM KALİPER AYAR MEKANİZMASI
1	ADJUSTING MECHANISM



5M Nr. 5M No.	9203.043.5
ORG. REF. NO	
APPLICATION Uygulama	19.5 - 22.5
DESCRIPTION Açıklama	CALIPER BRIDGE KALİPER KÖPRÜSÜ
1	BRIDGE



5M Nr. 5M No.	9203.044.5
ORG. REF. NO	
APPLICATION Uygulama	19.5 - 22.5
DESCRIPTION Açıklama	CALIPER BRIDGE KALİPER KÖPRÜSÜ
1	BRIDGE
2	SPRING



# FOR WABCO TYPE



<b>5M Nr.</b> 5M No.	9203.045.5	
<b>ORG. REF. NO</b>		
<b>APPLICATION</b> Uygulama	17,5	
<b>DESCRIPTION</b> Açıklama	CALIPER BRIDGE KALİPER KÖPRÜSÜ	
<b>1</b>	BRIDGE	



<b>5M Nr.</b> 5M No.	9203.046.5	
<b>ORG. REF. NO</b>		
<b>APPLICATION</b> Uygulama	17,5	
<b>DESCRIPTION</b> Açıklama	CALIPER BRIDGE KALİPER KÖPRÜSÜ	
<b>1</b>	BRIDGE	
<b>2</b>	SPRING	



<b>5M Nr.</b> 5M No.	9203.101.5	
<b>ORG. REF. NO</b>	-	
<b>APPLICATION</b> Uygulama	PAN 17" / 19" / 22"	
<b>DESCRIPTION</b> Açıklama	CALIPER SPRING KALİPER YAYI	
<b>1</b>	SPRING	

# FOR WABCO TYPE

<b>5M Nr.</b> 5M No.	9203.047.5	
<b>ORG. REF. NO</b>		
<b>APPLICATION</b> Uygulama	19.5 - 22.5	
<b>DESCRIPTION</b> Açıklama	CALIPER ADJUSTING MECHANISM KALİPER AYAR MEKANİZMASI	
<b>1</b>	SCREW	
<b>2</b>	ADJUSTER PIN	
<b>3</b>	RETAINER	
<b>4</b>	SPRING	
<b>5</b>	CLUTCH	

<b>5M Nr.</b> 5M No.	9203.018.5	
<b>ORG. REF. NO</b>		
<b>APPLICATION</b> Uygulama	19.5 - 22.5	
<b>DESCRIPTION</b> Açıklama	CALIPER ADJUSTING MECHANISM KIT KALİPER AYAR MEKANİZMASI TAKIMI	
<b>1</b>	SCREW	<b>9</b> WASHER
<b>2</b>	ADJUSTER PIN	<b>10</b> WASHER
<b>3</b>	RETAINER	<b>11</b> WASHER
<b>4</b>	SPRING	
<b>5</b>	CLUTCH	
<b>6</b>	SNAP RING	
<b>7</b>	WASHER	
<b>8</b>	SPRING	

<b>5M Nr.</b> 5M No.	9203.048.5	
<b>ORG. REF. NO</b>		
<b>APPLICATION</b> Uygulama	17,5	
<b>DESCRIPTION</b> Açıklama	CALIPER ADJUSTING MECHANISM KALİPER AYAR MEKANİZMASI	
<b>1</b>	SCREW	
<b>2</b>	ADJUSTER PIN	
<b>3</b>	RETAINER	
<b>4</b>	SPRING	
<b>5</b>	CLUTCH	

# FOR WABCO TYPE

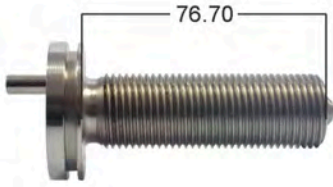
<b>5M Nr.</b> 5M No.	9203.049.5		
<b>ORG. REF. NO</b>			
<b>APPLICATION</b> Uygulama	17,5		
<b>DESCRIPTION</b> Açıklama	CALIPER ADJUSTING MECHANISM KIT KALİPER AYAR MEKANİZMASI TAKIMI		
1	SCREW	9	WASHER
2	ADJUSTER PIN	10	WASHER
3	RETAINER	11	WASHER
4	SPRING		
5	CLUTCH		
6	SNAP RING		
7	WASHER		
8	SPRING		

<b>5M Nr.</b> 5M No.	9203.050.5		
<b>ORG. REF. NO</b>			
<b>APPLICATION</b> Uygulama	17,5		
<b>DESCRIPTION</b> Açıklama	CALIPER ADJUSTING MECHANISM KALİPER AYAR MEKANİZMASI		
1	SCREW		
2	ADJUSTER PIN		
3	RETAINER		
4	SPRING		
5	CLUTCH		

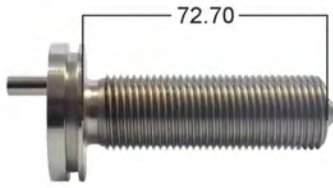
<b>5M Nr.</b> 5M No.	9203.019.5		
<b>ORG. REF. NO</b>			
<b>APPLICATION</b> Uygulama	17,5		
<b>DESCRIPTION</b> Açıklama	CALIPER ADJUSTING MECHANISM KIT KALİPER AYAR MEKANİZMASI TAKIMI		
1	SCREW	9	WASHER
2	ADJUSTER PIN	10	WASHER
3	RETAINER	11	WASHER
4	SPRING		
5	CLUTCH		
6	SNAP RING		
7	WASHER		
8	SPRING		



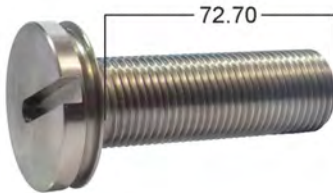
# FOR WABCO TYPE



<b>5M Nr.</b> 5M No.	9203.017.5
<b>ORG. REF. NO</b>	
<b>APPLICATION</b> Uygulama	19.5 - 22.5
<b>DESCRIPTION</b> Açıklama	CALIPER CALIBRATION BOLT KALİPER AYAR CİVATASI
<b>1</b>	SCREW



<b>5M Nr.</b> 5M No.	9203.015.5
<b>ORG. REF. NO</b>	
<b>APPLICATION</b> Uygulama	17,5
<b>DESCRIPTION</b> Açıklama	CALIPER CALIBRATION BOLT KALİPER AYAR CİVATASI
<b>1</b>	SCREW



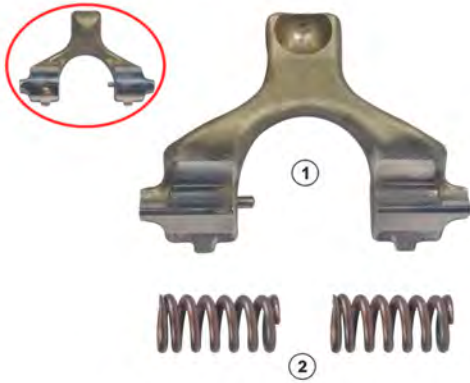
<b>5M Nr.</b> 5M No.	9203.016.5
<b>ORG. REF. NO</b>	
<b>APPLICATION</b> Uygulama	17,5
<b>DESCRIPTION</b> Açıklama	CALIPER CALIBRATION BOLT (SLOTTED) KALİPER AYAR CİVATASI (KANALLI)
<b>1</b>	SCREW



# FOR WABCO TYPE



<b>5M Nr.</b> 5M No.	9203.051.5
<b>ORG. REF. NO</b>	
<b>APPLICATION</b> Uygulama	17.5 - 19.5 - 22.5
<b>DESCRIPTION</b> Açıklama	CALIPER LEVER KALİPER KOL
<b>1</b>	LEVER

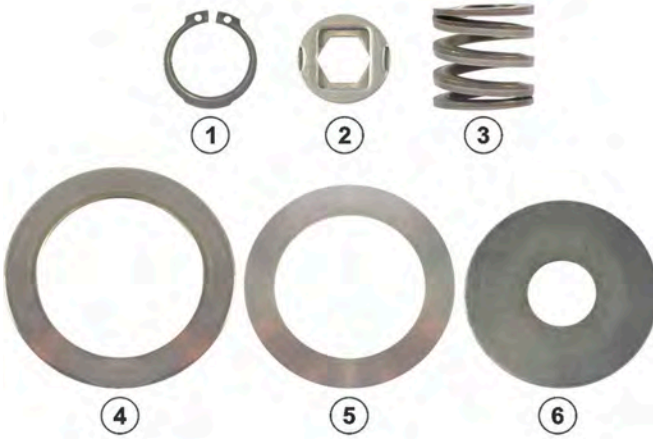


<b>5M Nr.</b> 5M No.	9203.036.5
<b>ORG. REF. NO</b>	
<b>APPLICATION</b> Uygulama	17.5 - 19.5 - 22.5
<b>DESCRIPTION</b> Açıklama	CALIPER LEVER KALİPER KOL
<b>1</b>	LEVER
<b>2</b>	SPRING



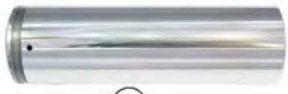
<b>5M Nr.</b> 5M No.	9203.020.5
<b>ORG. REF. NO</b>	
<b>APPLICATION</b> Uygulama	17.5 - 19.5 - 22.5
<b>DESCRIPTION</b> Açıklama	CALIPER ROLLER BEARING KALİPER BİLYASI
<b>1</b>	ROLLER BEARING

# FOR WABCO TYPE

	<b>5M Nr.</b> 5M No.	9203.052.5	
	<b>ORG. REF. NO</b>		
	<b>APPLICATION</b> Uygulama	17.5 - 19.5 - 22.5	
	<b>DESCRIPTION</b> Açıklama	CALIPER ADJUSTING MECHANISM REPAIR KIT KALİPER AYAR MEKANİZMASI TAMİR TAKIMI	
	<b>1</b>	SNAP RING	
	<b>2</b>	WASHER	
<b>3</b>	SPRING		
<b>4</b>	WASHER		
<b>5</b>	WASHER		
<b>6</b>	WASHER		

	<b>5M Nr.</b> 5M No.	9203.053.5	
	<b>ORG. REF. NO</b>	12999729VT - 81508006023 - 082139200 - 11015566 - 1517354	
	<b>APPLICATION</b> Uygulama	1000 VG	
	<b>DESCRIPTION</b> Açıklama	CALIPER REPAIR KIT KALİPER TAMİR TAKIMI	
	<b>1</b>	GUIDE PIN Ø25x81 mm	<b>9</b> DUST COVER
	<b>2</b>	GUIDE PIN Ø25x81 mm	<b>10</b> METAL TAP
<b>3</b>	SCREW M12x1.5x90 mm	<b>11</b> SCREW M6x1x20 mm	
<b>4</b>	BOOT	<b>12</b> SPRING	
<b>5</b>	BUSH		
<b>6</b>	BOOT		
<b>7</b>	O-RING		
<b>8</b>	SEAL		

# FOR WABCO TYPE



1



6



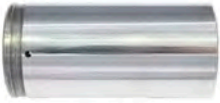
2



7



8



3



9



4



10



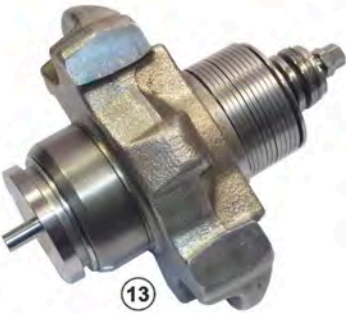
11



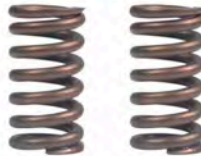
5



12



13



14



15



16

5M Nr. 5M No.		9203.054.5	
ORG. REF. NO			
APPLICATION Uygulama		19.5 - 22.5	
DESCRIPTION Açıklama		CALIPER REPAIR KIT COMPLETE KALİPER KOMPLE TAMİR TAKIMI	
1	GUIDE PIN Ø38x118 mm	13	ADJUSTING MECHANISM
2	SCREW M16x1.5x120 mm	14	SPRING
3	GUIDE PIN Ø38x76 mm	15	ROLLER BEARING
4	SCREW M16x1.5x80 mm	16	LEVER
5	METAL RING		
6	BOOT		
7	BOOT		
8	RUBBER TAP		
9	SEAL		
10	METAL TAP		
11	METAL TAP		
12	BUSH		

# FOR WABCO TYPE



<b>5M Nr.</b> 5M No.	9203.055.5	
<b>ORG. REF. NO</b>		
<b>APPLICATION</b> Uygulama	19.5 - 22.5	
<b>DESCRIPTION</b> Açıklama	CALIPER REPAIR KIT COMPLATE KALİPER KOMPLE TAMİR TAKIMI	
<b>1</b>	GUIDE PIN Ø38x118 mm	<b>13</b> ADJUSTING MECHANISM
<b>2</b>	SCREW M16x1.5x120 mm	<b>14</b> SPRING
<b>3</b>	GUIDE PIN Ø38x76 mm	
<b>4</b>	SCREW M16x1.5x80 mm	
<b>5</b>	METAL RING	
<b>6</b>	BOOT	
<b>7</b>	BOOT	
<b>8</b>	RUBBER TAP	
<b>9</b>	SEAL	
<b>10</b>	METAL TAP	
<b>11</b>	METAL TAP	
<b>12</b>	BUSH	



<b>5M Nr.</b> 5M No.	9203.056.5	
<b>ORG. REF. NO</b>		
<b>APPLICATION</b> Uygulama	19.5 - 22.5	
<b>DESCRIPTION</b> Açıklama	CALIPER REPAIR KIT COMPLATE KALİPER KOMPLE TAMİR TAKIMI	
<b>1</b>	GUIDE PIN Ø38x118 mm	<b>13</b> SNAP RING
<b>2</b>	SCREW M16x1.5x120 mm	<b>14</b> WASHER
<b>3</b>	GUIDE PIN Ø38x76 mm	<b>15</b> SPRING
<b>4</b>	SCREW M16x1.5x80 mm	<b>16</b> WASHER
<b>5</b>	METAL RING	<b>17</b> WASHER
<b>6</b>	ADJUSTING MECHANISM	<b>18</b> WASHER
<b>7</b>	RUBBER TAP	
<b>8</b>	BOOT	
<b>9</b>	BOOT	
<b>10</b>	METAL TAP	
<b>11</b>	METAL TAP	
<b>12</b>	BUSH	



# FOR WABCO TYPE



<b>5M Nr.</b> 5M No.	9203.026.5	
<b>ORG. REF. NO</b>		
<b>APPLICATION</b> Uygulama	19.5 - 22.5	
<b>DESCRIPTION</b> Açıklama	CALIPER REPAIR KIT COMPLATE KALİPER KOMPLE TAMİR TAKIMI	
<b>1</b>	GUIDE PIN Ø38x118 mm	
<b>2</b>	SCREW M16x1.5x120 mm	
<b>3</b>	GUIDE PIN Ø38x76 mm	
<b>4</b>	SCREW M16x1.5x80 mm	
<b>5</b>	METAL RING	
<b>6</b>	ADJUSTING MECHANISM	
<b>7</b>	RUBBER TAP	
<b>8</b>	BOOT	
<b>9</b>	BOOT	
<b>10</b>	METAL TAP	
<b>11</b>	METAL TAP	
<b>12</b>	BUSH	



<b>5M Nr.</b> 5M No.	9203.057.5	
<b>ORG. REF. NO</b>		
<b>APPLICATION</b> Uygulama	19.5 - 22.5	
<b>DESCRIPTION</b> Açıklama	CALIPER REPAIR KIT COMPLATE KALİPER KOMPLE TAMİR TAKIMI	
<b>1</b>	GUIDE PIN Ø38x118 mm	<b>13</b> METAL TAP
<b>2</b>	SCREW M16x1.5x120 mm	<b>14</b> SNAP RING
<b>3</b>	GUIDE PIN Ø38x76 mm	<b>15</b> WASHER
<b>4</b>	SCREW M16x1.5x80 mm	<b>16</b> SPRING
<b>5</b>	METAL RING	<b>17</b> WASHER
<b>6</b>	ADJUSTING MECHANISM	<b>18</b> WASHER
<b>7</b>	RUBBER TAP	<b>19</b> WASHER
<b>8</b>	BOOT	
<b>9</b>	BOOT	
<b>10</b>	BOOT (WHITE)	
<b>11</b>	BUSH	
<b>12</b>	METAL TAP	



# FOR WABCO TYPE



<b>5M Nr.</b> 5M No.	9203.058.5	
<b>ORG. REF. NO</b>		
<b>APPLICATION</b> Uygulama	19.5 - 22.5	
<b>DESCRIPTION</b> Açıklama	CALIPER REPAIR KIT COMPLETE KALİPER KOMPLE TAMİR TAKIMI	
<b>1</b>	GUIDE PIN Ø38x118 mm	<b>13</b> METAL TAP
<b>2</b>	SCREW M16x1.5x120 mm	<b>14</b> SNAP RING
<b>3</b>	GUIDE PIN Ø38x76 mm	<b>15</b> WASHER
<b>4</b>	SCREW M16x1.5x80 mm	<b>16</b> SPRING
<b>5</b>	METAL RING	<b>17</b> WASHER
<b>6</b>	ADJUSTING MECHANISM	<b>18</b> WASHER
<b>7</b>	RUBBER TAP	<b>19</b> WASHER
<b>8</b>	BOOT	
<b>9</b>	BOOT	
<b>10</b>	BOOT (WHITE)	
<b>11</b>	BUSH	
<b>12</b>	METAL TAP	



<b>5M Nr.</b> 5M No.	9203.059.5	
<b>ORG. REF. NO</b>		
<b>APPLICATION</b> Uygulama	19.5 - 22.5	
<b>DESCRIPTION</b> Açıklama	CALIPER REPAIR KIT COMPLETE KALİPER KOMPLE TAMİR TAKIMI	
<b>1</b>	GUIDE PIN Ø38x118 mm	<b>9</b> BOOT
<b>2</b>	SCREW M16x1.5x120 mm	<b>10</b> BOOT (WHITE)
<b>3</b>	GUIDE PIN Ø38x76 mm	<b>11</b> BUSH
<b>4</b>	SCREW M16x1.5x80 mm	<b>12</b> METAL TAP
<b>5</b>	METAL RING	<b>13</b> METAL TAP
<b>6</b>	ADJUSTING MECHANISM	
<b>7</b>	RUBBER TAP	
<b>8</b>	BOOT	

# FOR WABCO TYPE



<b>5M Nr.</b> 5M No.	9203.006.5	
<b>ORG. REF. NO</b>	12999738VT - 1505890 - 3434382701 - 79787365	
<b>APPLICATION</b> Uygulama	19.5 - 22.5	
<b>DESCRIPTION</b> Açıklama	CALIPER REPAIR KIT KALİPER TAMİR TAKIMI	
<b>1</b>	GUIDE PIN Ø38x118 mm	<b>8</b> METAL TAP
<b>2</b>	SCREW M16x1.5x120 mm	<b>9</b> BOOT
<b>3</b>	GUIDE PIN Ø38x76 mm	<b>10</b> BOOT
<b>4</b>	SCREW M16x1.5x80 mm	<b>11</b> BOOT (WHITE)
<b>5</b>	METAL RING	<b>12</b> BUSH
<b>6</b>	RUBBER TAP	
<b>7</b>	METAL TAP	



<b>5M Nr.</b> 5M No.	9203.060.5	
<b>ORG. REF. NO</b>		
<b>APPLICATION</b> Uygulama	19.5 - 22.5	
<b>DESCRIPTION</b> Açıklama	CALIPER REPAIR KIT KALİPER TAMİR TAKIMI	
<b>1</b>	GUIDE PIN Ø38x118 mm	<b>9</b> BOOT
<b>2</b>	SCREW M16x1.5x120 mm	<b>10</b> BOOT
<b>3</b>	GUIDE PIN Ø38x76 mm	<b>11</b> BOOT (WHITE)
<b>4</b>	SCREW M16x1.5x80 mm	<b>12</b> BUSH
<b>5</b>	METAL RING	
<b>6</b>	RUBBER TAP	
<b>7</b>	METAL TAP	
<b>8</b>	METAL TAP	



<b>5M Nr.</b> 5M No.	9203.008.5	
<b>ORG. REF. NO</b>	12999776VT - 34344382800 - 1628065 - 1068119 - 6500700 - 501866626 - 85108166	
<b>APPLICATION</b> Uygulama	19.5 - 22.5	
<b>DESCRIPTION</b> Açıklama	CALIPER REPAIR KIT KALİPER TAMİR TAKIMI	
<b>1</b>	GUIDE PIN Ø38x118 mm	<b>8</b> RUBBER TAP
<b>2</b>	SCREW M16x1.5x120 mm	<b>9</b> METAL TAP
<b>3</b>	GUIDE PIN Ø38x76 mm	<b>10</b> METAL TAP
<b>4</b>	SCREW M16x1.5x80 mm	<b>11</b> BUSH
<b>5</b>	METAL RING	
<b>6</b>	BOOT	
<b>7</b>	BOOT	





# FOR WABCO TYPE



<b>5M Nr.</b> 5M No.	9203.061.5	
<b>ORG. REF. NO</b>		
<b>APPLICATION</b> Uygulama	19.5 - 22.5	
<b>DESCRIPTION</b> Açıklama	CALIPER REPAIR KIT KALİPER TAMİR TAKIMI	
<b>1</b>	GUIDE PIN Ø38x118 mm	<b>9</b> METAL TAP
<b>2</b>	SCREW M16x1.5x120 mm	<b>10</b> METAL TAP
<b>3</b>	GUIDE PIN Ø38x76 mm	<b>11</b> BUSH
<b>4</b>	SCREW M16x1.5x80 mm	
<b>5</b>	METAL RING	
<b>6</b>	BOOT	
<b>7</b>	BOOT	
<b>8</b>	RUBBER TAP	



<b>5M Nr.</b> 5M No.	9203.003.5	
<b>ORG. REF. NO</b>	12999678VT - .5021170488 - 0865966	
<b>APPLICATION</b> Uygulama	19.5 - 22.5	
<b>DESCRIPTION</b> Açıklama	CALIPER REPAIR KIT KALİPER TAMİR TAKIMI	
<b>1</b>	GUIDE PIN Ø38x118 mm	<b>9</b> METAL TAP
<b>2</b>	SCREW M16x1.5x120 mm	<b>10</b> METAL TAP
<b>3</b>	GUIDE PIN Ø38x76 mm	<b>11</b> BUSH
<b>4</b>	SCREW M16x1.5x80 mm	
<b>5</b>	METAL RING	
<b>6</b>	BOOT (WHITE)	
<b>7</b>	BOOT	
<b>8</b>	RUBBER TAP	



<b>5M Nr.</b> 5M No.	9203.007.5	
<b>ORG. REF. NO</b>	12999746VT - 1440505 -.5001858722	
<b>APPLICATION</b> Uygulama	19,5	
<b>DESCRIPTION</b> Açıklama	CALIPER REPAIR KIT KALİPER TAMİR TAKIMI	
<b>1</b>	GUIDE PIN Ø38x118 mm	<b>9</b> RUBBER TAP
<b>2</b>	SCREW M16x1.5x120 mm	<b>10</b> METAL TAP
<b>3</b>	GUIDE PIN Ø38x76 mm	<b>11</b> METAL TAP
<b>4</b>	SCREW M16x1.5x80 mm	<b>12</b> BUSH
<b>5</b>	METAL RING	
<b>6</b>	BOOT (WHITE)	
<b>7</b>	TAPPET AND BOOT	
<b>8</b>	SNAP RING	



# FOR WABCO TYPE



<b>5M Nr.</b> 5M No.	9203.002.5	
<b>ORG. REF. NO</b>	12999677VT -.5021170487 - 0865965	
<b>APPLICATION</b> Uygulama	19,5	
<b>DESCRIPTION</b> Açıklama	CALIPER REPAIR KIT KALİPER TAMİR TAKIMI	
<b>1</b>	SCREW M16x1.5x120 mm	<b>9</b> METAL TAP
<b>2</b>	SCREW M16x1.5x80 mm	
<b>3</b>	METAL RING	
<b>4</b>	BOOT (WHITE)	
<b>5</b>	TAPPET AND BOOT	
<b>6</b>	SNAP RING	
<b>7</b>	RUBBER TAP	
<b>8</b>	METAL TAP	



<b>5M Nr.</b> 5M No.	9203.062.5	
<b>ORG. REF. NO</b>		
<b>APPLICATION</b> Uygulama	19,5	
<b>DESCRIPTION</b> Açıklama	CALIPER REPAIR KIT KALİPER TAMİR TAKIMI	
<b>1</b>	TAPPET AND BOOT	
<b>2</b>	SNAP RING	
<b>3</b>	BOOT (WHITE)	
<b>4</b>	METAL RING	



<b>5M Nr.</b> 5M No.	9203.063.5	
<b>ORG. REF. NO</b>		
<b>APPLICATION</b> Uygulama	19,5	
<b>DESCRIPTION</b> Açıklama	CALIPER TAPPET REPAIR KIT KALİPER İTİCİ KOL TAMİR TAKIMI	
<b>1</b>	TAPPET AND BOOT	
<b>2</b>	SNAP RING	

# FOR WABCO TYPE



<b>5M Nr.</b> 5M No.	9203.022.5	
<b>ORG. REF. NO</b>		
<b>APPLICATION</b> Uygulama	19.5 - 22.5	
<b>DESCRIPTION</b> Açıklama	CALIPER REPAIR KIT KALİPER TAMİR TAKIMI	
1	BOOT	5 METAL TAP
2	BOOT	6 METAL RING
3	BOOT (WHITE)	7 BUSH
4	METAL TAP	



<b>5M Nr.</b> 5M No.	9203.064.5	
<b>ORG. REF. NO</b>		
<b>APPLICATION</b> Uygulama	19.5 - 22.5	
<b>DESCRIPTION</b> Açıklama	CALIPER REPAIR KIT KALİPER TAMİR TAKIMI	
1	BOOT	5 METAL TAP
2	BOOT	6 METAL RING
3	BOOT (WHITE)	7 BUSH
4	METAL TAP	



<b>5M Nr.</b> 5M No.	9203.065.5	
<b>ORG. REF. NO</b>		
<b>APPLICATION</b> Uygulama	19.5 - 22.5	
<b>DESCRIPTION</b> Açıklama	CALIPER REPAIR KIT KALİPER TAMİR TAKIMI	
1	BOOT	5 METAL TAP
2	METAL RING	6 BUSH
3	BOOT	
4	METAL TAP	



<b>5M Nr.</b> 5M No.	9203.066.5	
<b>ORG. REF. NO</b>		
<b>APPLICATION</b> Uygulama	19.5 - 22.5	
<b>DESCRIPTION</b> Açıklama	CALIPER REPAIR KIT KALİPER TAMİR TAKIMI	
1	BOOT (WHITE)	5 METAL TAP
2	METAL RING	6 BUSH
3	BOOT	
4	METAL TAP	

# FOR WABCO TYPE



<b>5M Nr.</b> 5M No.	9203.028.5	
<b>ORG. REF. NO</b>		
<b>APPLICATION</b> Uygulama	19.5 - 22.5	
<b>DESCRIPTION</b> Açıklama	CALIPER REPAIR KIT KALİPER TAMİR TAKIMI	
1	BOOT (WHITE)	5 METAL TAP
2	BOOT	6 METAL RING
3	BOOT	
4	METAL TAP	



<b>5M Nr.</b> 5M No.	9203.067.5	
<b>ORG. REF. NO</b>		
<b>APPLICATION</b> Uygulama	19.5 - 22.5	
<b>DESCRIPTION</b> Açıklama	CALIPER BOOT KIT KALİPER KÖRÜK TAKIMI	
1	BOOT	
2	BOOT	
3	METAL RING	



<b>5M Nr.</b> 5M No.	9203.068.5	
<b>ORG. REF. NO</b>		
<b>APPLICATION</b> Uygulama	19.5 - 22.5	
<b>DESCRIPTION</b> Açıklama	CALIPER BOOT KIT KALİPER KÖRÜK TAKIMI	
1	BOOT (WHITE)	
2	BOOT	
3	METAL RING	



<b>5M Nr.</b> 5M No.	9203.069.5	
<b>ORG. REF. NO</b>		
<b>APPLICATION</b> Uygulama	19.5 - 22.5	
<b>DESCRIPTION</b> Açıklama	CALIPER REPAIR KIT KALİPER TAMİR TAKIMI	
1	GUIDE PIN Ø38x118 mm	5 BUSH
2	SCREW M16x1.5x120 mm	
3	GUIDE PIN Ø38x76 mm	
4	SCREW M16x1.5x80 mm	

# FOR WABCO TYPE



<b>5M Nr.</b> 5M No.	9203.023.5	
<b>ORG. REF. NO</b>		
<b>APPLICATION</b> Uygulama	19.5 - 22.5	
<b>DESCRIPTION</b> Açıklama	CALIPER REPAIR KIT KALİPER TAMİR TAKIMI	
<b>1</b>	GUIDE PIN Ø38x118 mm	<b>5</b> SCREW M10x1x40 mm
<b>2</b>	SCREW M16x1.5x120 mm	
<b>3</b>	GUIDE PIN Ø38x76 mm	
<b>4</b>	SCREW M16x1.5x80 mm	



<b>5M Nr.</b> 5M No.	9203.070.5	
<b>ORG. REF. NO</b>		
<b>APPLICATION</b> Uygulama	17,5	
<b>DESCRIPTION</b> Açıklama	CALIPER REPAIR KIT KALİPER TAMİR TAKIMI	
<b>1</b>	GUIDE PIN Ø29x91 mm	<b>9</b> RUBBER TAP
<b>2</b>	SCREW M16x1.5x87 mm	<b>10</b> SEAL
<b>3</b>	GUIDE PIN Ø29x77 mm	<b>11</b> ADJUSTING MECHANISM
<b>4</b>	SCREW M16x1.5x70 mm	<b>12</b> SPRING
<b>5</b>	BOOT	<b>13</b> ROLLER BEARING
<b>6</b>	BOOT	<b>14</b> LEVER
<b>7</b>	BUSH	
<b>8</b>	METAL TAP	



<b>5M Nr.</b> 5M No.	9203.071.5	
<b>ORG. REF. NO</b>		
<b>APPLICATION</b> Uygulama	17,5	
<b>DESCRIPTION</b> Açıklama	CALIPER REPAIR KIT KALİPER TAMİR TAKIMI	
<b>1</b>	GUIDE PIN Ø29x91 mm	<b>9</b> RUBBER TAP
<b>2</b>	SCREW M16x1.5x87 mm	<b>10</b> SEAL
<b>3</b>	GUIDE PIN Ø29x77 mm	<b>11</b> ADJUSTING MECHANISM
<b>4</b>	SCREW M16x1.5x70 mm	<b>12</b> SPRING
<b>5</b>	BOOT	
<b>6</b>	BOOT	
<b>7</b>	BUSH	
<b>8</b>	METAL TAP	



# FOR WABCO TYPE



<b>5M Nr.</b> 5M No.	9203.027.5	
<b>ORG. REF. NO</b>		
<b>APPLICATION</b> Uygulama	17,5	
<b>DESCRIPTION</b> Açıklama	CALIPER REPAIR KIT KALİPER TAMİR TAKIMI	
<b>1</b>	GUIDE PIN Ø29x91 mm	<b>9</b> RUBBER TAP
<b>2</b>	SCREW M16x1.5x87 mm	<b>10</b> ADJUSTING MECHANISM
<b>3</b>	GUIDE PIN Ø29x77 mm	<b>11</b> SNAP RING
<b>4</b>	SCREW M16x1.5x70 mm	<b>12</b> WASHER
<b>5</b>	BOOT	<b>13</b> SPRING
<b>6</b>	BOOT	<b>14</b> WASHER
<b>7</b>	BUSH	<b>15</b> WASHER
<b>8</b>	METAL TAP	<b>16</b> WASHER



<b>5M Nr.</b> 5M No.	9203.072.5	
<b>ORG. REF. NO</b>		
<b>APPLICATION</b> Uygulama	17,5	
<b>DESCRIPTION</b> Açıklama	CALIPER REPAIR KIT KALİPER TAMİR TAKIMI	
<b>1</b>	GUIDE PIN Ø29x91 mm	<b>9</b> RUBBER TAP
<b>2</b>	SCREW M16x1.5x87 mm	<b>10</b> ADJUSTING MECHANISM
<b>3</b>	GUIDE PIN Ø29x77 mm	
<b>4</b>	SCREW M16x1.5x70 mm	
<b>5</b>	BOOT	
<b>6</b>	BOOT	
<b>7</b>	BUSH	
<b>8</b>	METAL TAP	



<b>5M Nr.</b> 5M No.	9203.073.5	
<b>ORG. REF. NO</b>		
<b>APPLICATION</b> Uygulama	17,5	
<b>DESCRIPTION</b> Açıklama	CALIPER REPAIR KIT KALİPER TAMİR TAKIMI	
<b>1</b>	GUIDE PIN Ø29x91 mm	<b>9</b> RUBBER TAP
<b>2</b>	SCREW M16x1.5x87 mm	<b>10</b> SEAL
<b>3</b>	GUIDE PIN Ø29x77 mm	<b>11</b> ADJUSTING MECHANISM
<b>4</b>	SCREW M16x1.5x70 mm	<b>12</b> SPRING
<b>5</b>	BOOT	<b>13</b> ROLLER BEARING
<b>6</b>	BOOT	<b>14</b> LEVER
<b>7</b>	BUSH	
<b>8</b>	METAL TAP	

# FOR WABCO TYPE



<b>5M Nr.</b> 5M No.	9203.074.5	
<b>ORG. REF. NO</b>		
<b>APPLICATION</b> Uygulama	17,5	
<b>DESCRIPTION</b> Açıklama	CALIPER REPAIR KIT KALİPER TAMİR TAKIMI	
<b>1</b>	GUIDE PIN Ø29x91 mm	<b>9</b> RUBBER TAP
<b>2</b>	SCREW M16x1.5x87 mm	<b>10</b> SEAL
<b>3</b>	GUIDE PIN Ø29x77 mm	<b>11</b> ADJUSTING MECHANISM
<b>4</b>	SCREW M16x1.5x70 mm	<b>12</b> SPRING
<b>5</b>	BOOT	
<b>6</b>	BOOT	
<b>7</b>	BUSH	
<b>8</b>	METAL TAP	



<b>5M Nr.</b> 5M No.	9203.075.5	
<b>ORG. REF. NO</b>		
<b>APPLICATION</b> Uygulama	17,5	
<b>DESCRIPTION</b> Açıklama	CALIPER REPAIR KIT KALİPER TAMİR TAKIMI	
<b>1</b>	GUIDE PIN Ø29x91 mm	<b>9</b> RUBBER TAP
<b>2</b>	SCREW M16x1.5x87 mm	<b>10</b> ADJUSTING MECHANISM
<b>3</b>	GUIDE PIN Ø29x77 mm	<b>11</b> SNAP RING
<b>4</b>	SCREW M16x1.5x70 mm	<b>12</b> WASHER
<b>5</b>	BOOT	<b>13</b> SPRING
<b>6</b>	BOOT	<b>14</b> WASHER
<b>7</b>	BUSH	<b>15</b> WASHER
<b>8</b>	METAL TAP	<b>16</b> WASHER



<b>5M Nr.</b> 5M No.	9203.076.5	
<b>ORG. REF. NO</b>		
<b>APPLICATION</b> Uygulama	17,5	
<b>DESCRIPTION</b> Açıklama	CALIPER REPAIR KIT KALİPER TAMİR TAKIMI	
<b>1</b>	GUIDE PIN Ø29x91 mm	<b>9</b> RUBBER TAP
<b>2</b>	SCREW M16x1.5x87 mm	<b>10</b> ADJUSTING MECHANISM
<b>3</b>	GUIDE PIN Ø29x77 mm	
<b>4</b>	SCREW M16x1.5x70 mm	
<b>5</b>	BOOT	
<b>6</b>	BOOT	
<b>7</b>	BUSH	
<b>8</b>	METAL TAP	

# FOR WABCO TYPE



<b>5M Nr.</b> 5M No.	9203.102.5	
<b>ORG. REF. NO</b>	12 999.547 , MAN N1.01101.5530	
<b>APPLICATION</b> Uygulama	1600 V-G TYPE	
<b>DESCRIPTION</b> Açıklama	BRAKE ADJUSTING MECHANISM (LEFT) FREN AYAR MEKANİZMASI (SOL)	
1	BOOT (2x)	8 BUSH (3x)
2	BOOT	9 GEAR
3	GUIDE PIN	10 SEAL
4	GUIDE PIN	11 PIN
5	SCREW (2x)	12 SPRING
6	ADJUSTING MECHANISM (LEFT)	13 BOLT
7	METAL TAP (2x)	



<b>5M Nr.</b> 5M No.	9203.103.5	
<b>ORG. REF. NO</b>	12 999.548	
<b>APPLICATION</b> Uygulama	1600 V-G TYPE	
<b>DESCRIPTION</b> Açıklama	BRAKE ADJUSTING MECHANISM (RIGHT) FREN AYAR MEKANİZMASI (SAĞ)	
1	BOOT (2x)	8 BUSH (3x)
2	BOOT	9 GEAR
3	GUIDE PIN	10 SEAL
4	GUIDE PIN	11 PIN
5	SCREW (2x)	12 SPRING
6	ADJUSTING MECHANISM (RIGHT)	13 BOLT
7	METAL TAP (2x)	



<b>5M Nr.</b> 5M No.	9203.077.5	
<b>ORG. REF. NO</b>		
<b>APPLICATION</b> Uygulama	17,5	
<b>DESCRIPTION</b> Açıklama	CALIPER REPAIR KIT KALİPER TAMİR TAKIMI	
1	GUIDE PIN Ø29x91 mm	9 METAL TAP
2	SCREW M16x1.5x87 mm	10 SEAL
3	GUIDE PIN Ø29x77 mm	11 BUSH
4	SCREW M16x1.5x70 mm	12 SCREW M10x1x40 mm
5	GASKET	
6	BOOT	
7	BOOT	
8	RUBBER TAP	



# FOR WABCO TYPE



<b>5M Nr.</b> 5M No.	9203.004.5	
<b>ORG. REF. NO</b>	12999699VT - 12999702 - 1436853	
<b>APPLICATION</b> Uygulama	17,5	
<b>DESCRIPTION</b> Açıklama	CALIPER REPAIR KIT KALİPER TAMİR TAKIMI	
<b>1</b>	GUIDE PIN Ø29x90 mm	<b>9</b> RUBBER TAP
<b>2</b>	SCREW M16x1.5x87 mm	
<b>3</b>	GUIDE PIN Ø29x77 mm	
<b>4</b>	SCREW M16x1.5x70 mm	
<b>5</b>	BOOT	
<b>6</b>	BOOT	
<b>7</b>	BUSH	
<b>8</b>	METAL TAP	



<b>5M Nr.</b> 5M No.	9203.005.5	
<b>ORG. REF. NO</b>	12999704VT - 5001852880 - 1519363 - 261112999704VT	
<b>APPLICATION</b> Uygulama	17,5	
<b>DESCRIPTION</b> Açıklama	CALIPER REPAIR KIT KALİPER TAMİR TAKIMI	
<b>1</b>	BOOT	<b>5</b> BOOT
<b>2</b>	SCREW M16x1.5x87 mm	<b>6</b> SCREW M16x1.5x70 mm
<b>3</b>	BUSH	<b>7</b> METAL TAP
<b>4</b>	RUBBER TAP	



<b>5M Nr.</b> 5M No.	9203.001.5	
<b>ORG. REF. NO</b>	12999580VT - 81508226003 - 1517407	
<b>APPLICATION</b> Uygulama	17,5	
<b>DESCRIPTION</b> Açıklama	CALIPER REPAIR KIT KALİPER TAMİR TAKIMI	
<b>1</b>	BOOT	<b>9</b> RUBBER TAP
<b>2</b>	BOOT	<b>10</b> GASKET
<b>3</b>	BUSH	
<b>4</b>	METAL TAP	
<b>5</b>	SCREW M10x1x40 mm	
<b>6</b>	SCREW M16x1.5x87 mm	
<b>7</b>	SCREW M16x1.5x70 mm	
<b>8</b>	SEAL	



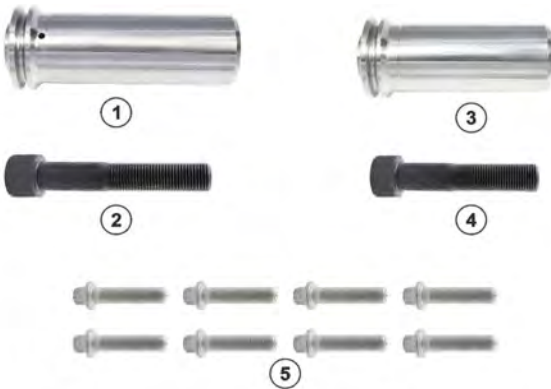
# FOR WABCO TYPE



<b>5M Nr.</b> 5M No.	9203.078.5	
<b>ORG. REF. NO</b>		
<b>APPLICATION</b> Uygulama	17,5	
<b>DESCRIPTION</b> Açıklama	CALIPER REPAIR KIT KALİPER TAMİR TAKIMI	
<b>1</b>	BOOT	
<b>2</b>	BOOT	
<b>3</b>	BUSH	
<b>4</b>	METAL TAP	



<b>5M Nr.</b> 5M No.	9203.079.5	
<b>ORG. REF. NO</b>		
<b>APPLICATION</b> Uygulama	17,5	
<b>DESCRIPTION</b> Açıklama	CALIPER BOOT KIT KALİPER KÖRÜK TAKIMI	
<b>1</b>	BOOT	
<b>2</b>	BOOT	

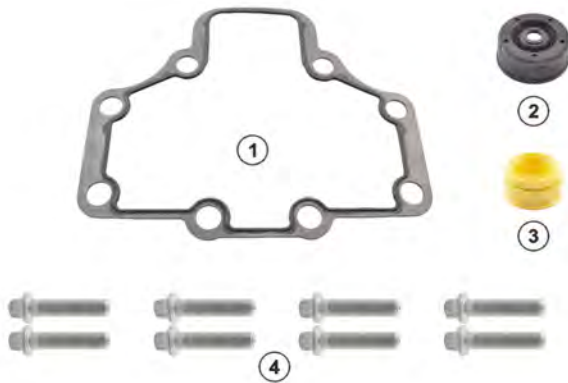


<b>5M Nr.</b> 5M No.	9203.080.5	
<b>ORG. REF. NO</b>		
<b>APPLICATION</b> Uygulama	17,5	
<b>DESCRIPTION</b> Açıklama	CALIPER REPAIR KIT KALİPER TAMİR TAKIMI	
<b>1</b>	GUIDE PIN Ø29x91 mm	<b>5</b> SCREW M10x1x40 mm
<b>2</b>	SCREW M16x1.5x87 mm	
<b>3</b>	GUIDE PIN Ø29x77 mm	
<b>4</b>	SCREW M16x1.5x70 mm	

# FOR WABCO TYPE



<b>5M Nr.</b> 5M No.	9203.081.5	
<b>ORG. REF. NO</b>		
<b>APPLICATION</b> Uygulama	17,5	
<b>DESCRIPTION</b> Açıklama	CALIPER REPAIR KIT KALİPER TAMİR TAKIMI	
1	GUIDE PIN Ø29x91 mm	5 BUSH
2	SCREW M16x1.5x87 mm	
3	GUIDE PIN Ø29x77 mm	
4	SCREW M16x1.5x70 mm	



<b>5M Nr.</b> 5M No.	9203.082.5	
<b>ORG. REF. NO</b>		
<b>APPLICATION</b> Uygulama	17.5 - 19.5 - 22.5	
<b>DESCRIPTION</b> Açıklama	CALIPER GASKET KIT KALİPER CONTA TAKIMI	
1	GASKET	
2	SEAL	
3	RUBBER TAP	
4	SCREW M10x1x40 mm	



<b>5M Nr.</b> 5M No.	9203.083.5	
<b>ORG. REF. NO</b>		
<b>APPLICATION</b> Uygulama	17.5 - 19.5 - 22.5	
<b>DESCRIPTION</b> Açıklama	CALIPER REPAIR KIT KALİPER TAMİR TAKIMI	
1	GASKET	
2	SEAL	
3	RUBBER TAP	

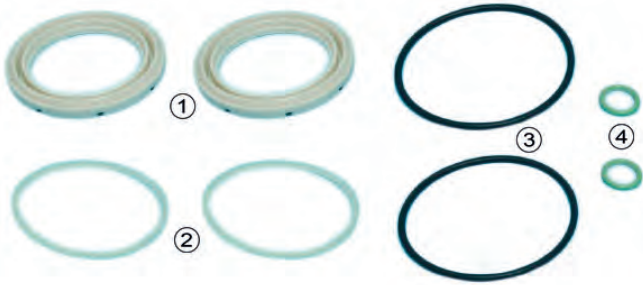


<b>5M Nr.</b> 5M No.	9203.084.5	
<b>ORG. REF. NO</b>		
<b>APPLICATION</b> Uygulama	17.5 - 19.5 - 22.5	
<b>DESCRIPTION</b> Açıklama	CALIPER GASKET KALİPER CONTA	
1	GASKET	

# FOR WABCO TYPE



<b>5M Nr.</b> 5M No.	9203.085.5	
<b>ORG. REF. NO</b>	6401759202.- 3434382900 - 0906197 - 13C3508278AB	
<b>APPLICATION</b> Uygulama	17.5 - 19.5 - 22.5	
<b>DESCRIPTION</b> Açıklama	CALIPER REPAIR KIT KALİPER TAMİR TAKIMI	
<b>1</b>	BOOT	
<b>2</b>	SEAL	
<b>3</b>	RUBBER TAP	



<b>5M Nr.</b> 5M No.	9203.100.5	
<b>ORG. REF. NO</b>	-	
<b>APPLICATION</b> Uygulama	SETRA	
<b>DESCRIPTION</b> Açıklama	GUIDE & SEAL REPAIR KIT MİL BURÇ VE KEÇE TAKIMI	
<b>1</b>	PLASTIC RING (2x)	
<b>2</b>	PLASTIC RING (2x)	
<b>3</b>	O-RING (2x)	
<b>4</b>	O-RING (2x)	



<b>5M Nr.</b> 5M No.	9203.013.5	
<b>ORG. REF. NO</b>		
<b>APPLICATION</b> Uygulama	22,5	
<b>DESCRIPTION</b> Açıklama	CALIPER PUSH PLATE SLOTTED (RIGHT) KALİPER KANALLI BASKI PLAKASI (SAĞ)	
<b>1</b>	PUSH PLATE SLOTTED	



<b>5M Nr.</b> 5M No.	9203.014.5	
<b>ORG. REF. NO</b>		
<b>APPLICATION</b> Uygulama	22,5	
<b>DESCRIPTION</b> Açıklama	CALIPER PUSH PLATE SLOTTED (LEFT) KALİPER KANALLI BASKI PLAKASI (SOL)	
<b>1</b>	PUSH PLATE SLOTTED	



# FOR WABCO TYPE



<b>5M Nr.</b> 5M No.	9203.032.5
<b>ORG. REF. NO</b>	
<b>APPLICATION</b> Uygulama	19,5
<b>DESCRIPTION</b> Açıklama	CALIPER PUSH PLATE SLOTTED (RIGHT) KALİPER KANALLI BASKI PLAKASI (SAĞ)
<b>1</b>	PUSH PLATE SLOTTED



<b>5M Nr.</b> 5M No.	9203.033.5
<b>ORG. REF. NO</b>	
<b>APPLICATION</b> Uygulama	19,5
<b>DESCRIPTION</b> Açıklama	CALIPER PUSH PLATE SLOTTED (LEFT) KALİPER KANALLI BASKI PLAKASI (SOL)
<b>1</b>	PUSH PLATE SLOTTED



<b>5M Nr.</b> 5M No.	9203.034.5
<b>ORG. REF. NO</b>	
<b>APPLICATION</b> Uygulama	17,5
<b>DESCRIPTION</b> Açıklama	CALIPER PUSH PLATE SLOTTED (RIGHT) KALİPER KANALLI BASKI PLAKASI (SAĞ)
<b>1</b>	PUSH PLATE SLOTTED



<b>5M Nr.</b> 5M No.	9203.035.5
<b>ORG. REF. NO</b>	
<b>APPLICATION</b> Uygulama	17,5
<b>DESCRIPTION</b> Açıklama	CALIPER PUSH PLATE SLOTTED (LEFT) KALİPER KANALLI BASKI PLAKASI (SOL)
<b>1</b>	PUSH PLATE SLOTTED



# FOR WABCO TYPE



<b>5M Nr.</b> 5M No.	9203.086.5
<b>ORG. REF. NO</b>	
<b>APPLICATION</b> Uygulama	17,5
<b>DESCRIPTION</b> Açıklama	CALIPER PUSH PLATE WITH PIN (RIGHT) KALİPER PİMLİ BASKI PLAKASI (SAĞ)
<b>1</b>	PUSH PLATE WITH PIN



<b>5M Nr.</b> 5M No.	9203.087.5
<b>ORG. REF. NO</b>	
<b>APPLICATION</b> Uygulama	17,5
<b>DESCRIPTION</b> Açıklama	CALIPER PUSH PLATE WITH PIN (LEFT) KALİPER PİMLİ BASKI PLAKASI (SOL)
<b>1</b>	PUSH PLATE WITH PIN



INNER SIDE



OUTER SIDE

<b>5M Nr.</b> 5M No.	9203.088.5
<b>ORG. REF. NO</b>	
<b>APPLICATION</b> Uygulama	17,5
<b>DESCRIPTION</b> Açıklama	CALIPER COVER PLATE KALİPER BASKI KAPAĞI
<b>1</b>	COVER PLATE



INNER SIDE



OUTER SIDE

<b>5M Nr.</b> 5M No.	9203.089.5
<b>ORG. REF. NO</b>	
<b>APPLICATION</b> Uygulama	17,5
<b>DESCRIPTION</b> Açıklama	CALIPER COVER PLATE KALİPER BASKI KAPAĞI
<b>1</b>	COVER PLATE



# FOR WABCO TYPE



<b>5M Nr.</b> 5M No.	9203.097.5
<b>ORG. REF. NO</b>	-
<b>APPLICATION</b> Uygulama	MAXX 22
<b>DESCRIPTION</b> Açıklama	CALIPER ADJUSTING MECHANISM COMPLETE KALİPER KOMPLE AYAR MEKANİZMASI
<b>1</b>	ADJUSTING MECHANISM
<b>2</b>	SPRING (2x)



<b>5M Nr.</b> 5M No.	9203.098.5
<b>ORG. REF. NO</b>	-
<b>APPLICATION</b> Uygulama	MAXX 22
<b>DESCRIPTION</b> Açıklama	CALIPER GEAR KALİPER DİŞLİ
<b>1</b>	ADJUSTING GEAR



<b>5M Nr.</b> 5M No.	9203.099.5		
<b>ORG. REF. NO</b>	640 322 926 2 81.50822-6038		
<b>APPLICATION</b> Uygulama	MAXX 22		
<b>DESCRIPTION</b> Açıklama	CALIPER REPAIR KIT KALİPER TAMİR TAKIMI		
<b>1</b>	BOOT (2x)	<b>6</b>	BUSH (3x)
<b>2</b>	BOOT	<b>7</b>	GUIDE PIN Ø38x118 mm
<b>3</b>	RUBBER TAP	<b>8</b>	GUIDE PIN Ø38x76 mm
<b>4</b>	METAL RING	<b>9</b>	SCREW M16x1.5x120 mm
<b>5</b>	METAL TAP	<b>10</b>	SCREW M16x1.5x80 mm



<b>5M Nr.</b> 5M No.	9203.096.5		
<b>ORG. REF. NO</b>	-		
<b>APPLICATION</b> Uygulama	19.5 DOUBLE PISTON		
<b>DESCRIPTION</b> Açıklama	CALIPER REPAIR KIT KALİPER TAMİR TAKIMI		
<b>1</b>	SPRING (2x)	<b>5</b>	LEVER GEAR (2x)
<b>2</b>	BEARING	<b>6</b>	SNAP RING (2x)
<b>3</b>	BEARING		
<b>4</b>	LEVER		

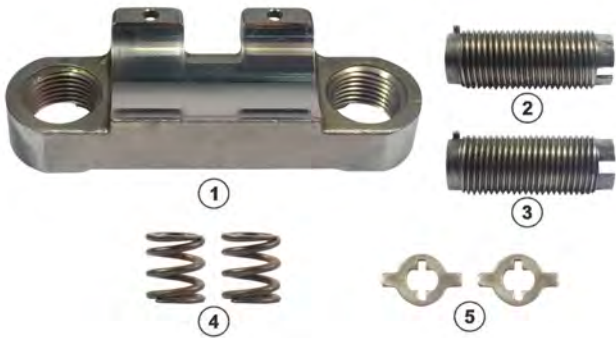
# FOR WABCO TYPE



<b>5M Nr.</b> 5M No.	9203.104.5	
<b>ORG. REF. NO</b>	-	
<b>APPLICATION</b> Uygulama	PAN 19.5" / 22.5" 19.5" RENAULT MIDLUM SET	
<b>DESCRIPTION</b> Açıklama	CALIPER REPAIR KIT COMPLATE KALİPER KOMPLE TAMİR TAKIMI	
1	9203.007.5	5 LEVER KIT
2	9203.091.5	6 BEARING
3	ADJUSTING LEVER KIT	
4	GASKET KIT	



<b>5M Nr.</b> 5M No.	9203.090.5	
<b>ORG. REF. NO</b>		
<b>APPLICATION</b> Uygulama	19,5	
<b>DESCRIPTION</b> Açıklama	CALIPER BRIDGE KALİPER KÖPRÜSÜ	
1	BRIDGE	
2	SPRING	



<b>5M Nr.</b> 5M No.	9203.091.5	
<b>ORG. REF. NO</b>		
<b>APPLICATION</b> Uygulama	19,5	
<b>DESCRIPTION</b> Açıklama	CALIPER BRIDGE ASSEMBLY KALİPER MONTAJLI KÖPRÜ	
1	BRIDGE	5 LOCKING SHIM
2	CALIBRATION BOLT (RIGHT)	
3	CALIBRATION BOLT (LEFT)	
4	SPRING	



<b>5M Nr.</b> 5M No.	9203.092.5	
<b>ORG. REF. NO</b>		
<b>APPLICATION</b> Uygulama	19,5	
<b>DESCRIPTION</b> Açıklama	CALIPER CALIBRATION BOLT (RIGHT) KALİPER AYAR CİVATASI (SAĞ)	
1	CALIBRATION BOLT (RIGHT)	



# FOR WABCO TYPE



<b>5M Nr.</b> 5M No.	9203.093.5	
<b>ORG. REF. NO</b>		
<b>APPLICATION</b> Uygulama	19,5	
<b>DESCRIPTION</b> Açıklama	CALIPER CALIBRATION BOLT (LEFT) KALİPER AYAR CİVATASI (SOL)	
1	CALIBRATION BOLT (LEFT)	



<b>5M Nr.</b> 5M No.	9203.094.5	
<b>ORG. REF. NO</b>		
<b>APPLICATION</b> Uygulama	19,5	
<b>DESCRIPTION</b> Açıklama	CALIPER CALIBRATION BOLT KIT (RIGHT) KALİPER AYAR CİVATASI TAKIMI (SAĞ)	
1	CALIBRATION BOLT (RIGHT)	
2	LOCKING SHIM	
3	SNAP RING	



<b>5M Nr.</b> 5M No.	9203.095.5	
<b>ORG. REF. NO</b>		
<b>APPLICATION</b> Uygulama	19,5	
<b>DESCRIPTION</b> Açıklama	CALIPER CALIBRATION BOLT KIT (LEFT) KALİPER AYAR CİVATASI TAKIMI (SOL)	
1	CALIBRATION BOLT (LEFT)	
2	LOCKING SHIM	
3	SNAP RING	



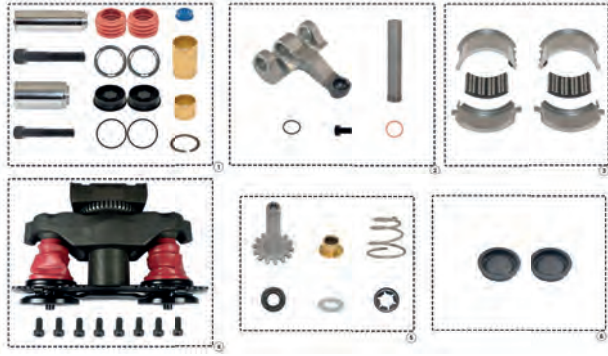
<b>5M Nr.</b> 5M No.	9203.105.5	
<b>ORG. REF. NO</b>	640 322 928 2 81.50822-6040	
<b>APPLICATION</b> Uygulama	MAXX 22	
<b>DESCRIPTION</b> Açıklama	CALIPER SENSOR COVER (3 SOKET) KALİPER SENSÖR KAPAĞI (3 SOKETLİ)	
1	CALIPER COVER	



FOR BPW TYPE



# FOR BPW TYPE



<b>5M Nr.</b> 5M No.	9204.022.5	
<b>ORG. REF. NO</b>	-	
<b>APPLICATION</b> Uygulama	TSB 3709 / 4309 / 4312	
<b>DESCRIPTION</b> Açıklama	CALIPER REPAIR KIT COMPLATE KALİPER KOMPLE TAMİR TAKIMI	
1	9204.002.5	5 9204.016.5
2	9204.013.5	6 CALIPER CAP
3	9204.015.5	
4	9204.023.5	



<b>5M Nr.</b> 5M No.	9204.023.5	
<b>ORG. REF. NO</b>	-	
<b>APPLICATION</b> Uygulama	TSB 3709 / 4309 / 4312	
<b>DESCRIPTION</b> Açıklama	CALIPER CALIBRATION MECHANISM KALİPER AYAR MEKANİZMASI	
1	CALIBRATION MECHANISM	
2	COVER SCREW M8x16 mm (8x)	



<b>5M Nr.</b> 5M No.	9204.030.5	
<b>ORG. REF. NO</b>	-	
<b>APPLICATION</b> Uygulama	TSB 3709 / 4309 / 4312	
<b>DESCRIPTION</b> Açıklama	CALIPER CALIBRATION MECHANISM (NEW TYPE) KALİPER AYAR MEKANİZMASI (YENİ TİP)	
1	CALIBRATION MECHANISM	
2	COVER SCREW M8x16 mm (8x)	



<b>5M Nr.</b> 5M No.	9204.001.5	
<b>ORG. REF. NO</b>	09.801.07.63.0	
<b>APPLICATION</b> Uygulama		
<b>DESCRIPTION</b> Açıklama	CALIPER TAPPET AND BOOT REPAIR KIT KALİPER İTÇİ KOL VE KÖRÜK TAMİR TAKIMI	
1	TAPPET BOOT	
2	TAPPET	
3	CLAMP	
4	LOCKING SHIM	

# FOR BPW TYPE



<b>5M Nr.</b> 5M No.	9204.020.5	
<b>ORG. REF. NO</b>	-	
<b>APPLICATION</b> Uygulama	TSB 3709 / 4309 / 4312	
<b>DESCRIPTION</b> Açıklama	CALIPER GUIDE PIN (WITH PIN) KALİPER MİLİ (PİMLİ)	
<b>1</b>	TAPPET (WITH PIN)	



<b>5M Nr.</b> 5M No.	9204.021.5	
<b>ORG. REF. NO</b>	-	
<b>APPLICATION</b> Uygulama	TSB 3709 / 4309 / 4312	
<b>DESCRIPTION</b> Açıklama	CALIPER GUIDE PIN (WITHOUT PIN) KALİPER MİLİ (PİMSİZ)	
<b>1</b>	TAPPET (WITHOUT PIN)	



<b>5M Nr.</b> 5M No.	9204.002.5	
<b>ORG. REF. NO</b>	-	
<b>APPLICATION</b> Uygulama	-	
<b>DESCRIPTION</b> Açıklama	CALIPER REPAIR KIT KALİPER TAMİR TAKIMI	
<b>1</b>	GUIDE PIN Ø37x123 mm	<b>9</b> RUBBER TAP
<b>2</b>	SCREW M16x1.5x100 mm	<b>10</b> BUSH
<b>3</b>	GUIDE PIN Ø36x70 mm	<b>11</b> BUSH
<b>4</b>	SCREW M16x1.5x70 mm	<b>12</b> PIN RING
<b>5</b>	BOOT	
<b>6</b>	PLASTIC RING	
<b>7</b>	PLASTIC TAP	
<b>8</b>	O-RING	

# FOR BPW TYPE



5M Nr. 9204.003.5  
5M No.

ORG. REF. NO 09.801.07.61.0

APPLICATION  
Uygulama

DESCRIPTION  
Açıklama CALIPER REPAIR KIT  
KALİPER TAMİR TAKIMI

1	GUIDE PIN Ø37x123 mm	9	PIN RING
2	SCREW M16x1.5x100 mm		
3	GUIDE PIN Ø36x70 mm		
4	SCREW M16x1.5x70 mm		
5	PLASTIC TAP		
6	O-RING		
7	BUSH		
8	BUSH		



5M Nr. 9204.004.5  
5M No.

ORG. REF. NO 09.801.05.81.0

APPLICATION  
Uygulama

DESCRIPTION  
Açıklama CALIPER REPAIR KIT  
KALİPER TAMİR TAKIMI

1	GUIDE PIN Ø37x123 mm		
2	SCREW M16x1.5x100 mm		
3	GUIDE PIN Ø36x70 mm		
4	SCREW M16x1.5x70 mm		
5	PLASTIC RING		
6	PAD RETAINER		
7	PIN RING		
8	SCREW		



5M Nr. 9204.026.5  
5M No.

ORG. REF. NO 09.801.07.68.1

APPLICATION  
Uygulama TSB 3709 / 4309 / 4312

DESCRIPTION  
Açıklama CALIPER PAD RETAINER KIT  
KALİPER BALATA TUTUCU TAKIMI

1	PAD RETAINER	5	COTTER PIN
2	PAD RETENTION SPRING		
3	DETENT PIN		
4	WASHER		



# FOR BPW TYPE

	<b>5M Nr.</b> 5M No.	9204.005.5	
	<b>ORG. REF. NO</b>	09.801.07.62.0	
	<b>APPLICATION</b> Uygulama		
	<b>DESCRIPTION</b> Açıklama	CALIPER REPAIR KIT KALİPER TAMİR TAKIMI	
	<b>1</b>	BOOT	
	<b>2</b>	PLASTIC RING	
	<b>3</b>	PLASTIC TAP	
<b>4</b>	O-RING		
<b>5</b>	RUBBER TAP		
<b>6</b>	BUSH		
<b>7</b>	BUSH		

	<b>5M Nr.</b> 5M No.	9204.027.5	
	<b>ORG. REF. NO</b>	-	
	<b>APPLICATION</b> Uygulama	TSB 3709 / 4309 / 4312	
	<b>DESCRIPTION</b> Açıklama	CALIPER BUSH KALİPER BURCU	
	<b>1</b>	BUSH (Ø37xØ41x73 mm)	

	<b>5M Nr.</b> 5M No.	9204.028.5	
	<b>ORG. REF. NO</b>	-	
	<b>APPLICATION</b> Uygulama	TSB 3709 / 4309 / 4312	
	<b>DESCRIPTION</b> Açıklama	CALIPER BUSH KALİPER BURCU	
	<b>1</b>	BUSH (Ø37xØ41x30 mm)	

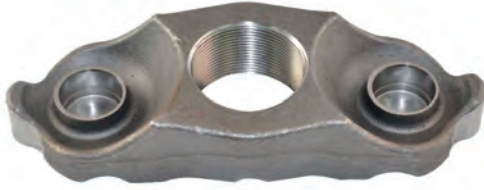
	<b>5M Nr.</b> 5M No.	9204.029.5	
	<b>ORG. REF. NO</b>	-	
	<b>APPLICATION</b> Uygulama	TSB 3709 / 4309 / 4312	
	<b>DESCRIPTION</b> Açıklama	BOOT AND PLASTIC RING REPAIR KIT KÖRÜK VE PLASTİK SEGMAN TAMİR TAKIMI	
	<b>1</b>	BOOT	
	<b>2</b>	PLASTIC RING	



# FOR BPW TYPE



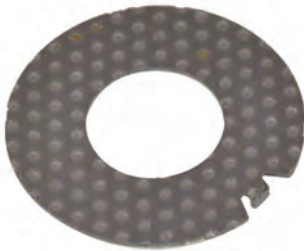
<b>5M Nr.</b> 5M No.	9204.006.5	
<b>ORG. REF. NO</b>		
<b>APPLICATION</b> Uygulama		
<b>DESCRIPTION</b> Açıklama	CALIPER CALIBRATION COVER KALİPER AYAR KAPAĞI	
1	CALIBRATION COVER	
2	COVER SCREW M8x16 mm	



<b>5M Nr.</b> 5M No.	9204.007.5	
<b>ORG. REF. NO</b>		
<b>APPLICATION</b> Uygulama		
<b>DESCRIPTION</b> Açıklama	CALIPER BRIDGE KALİPER KÖPRÜSÜ	
1	BRIDGE	



<b>5M Nr.</b> 5M No.	9204.008.5	
<b>ORG. REF. NO</b>		
<b>APPLICATION</b> Uygulama		
<b>DESCRIPTION</b> Açıklama	CALIPER MECHANISM GEAR KALİPER MEKANİZMA DİŞLİSİ	
1	MECHANISM GEAR	

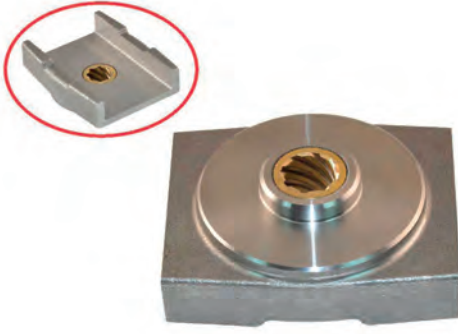


<b>5M Nr.</b> 5M No.	9204.009.5	
<b>ORG. REF. NO</b>		
<b>APPLICATION</b> Uygulama		
<b>DESCRIPTION</b> Açıklama	CALIPER MECHANISM WASHER KALİPER MEKANİZMA PULU	
1	WASHER	

# FOR BPW TYPE



<b>5M Nr.</b> 5M No.	9204.010.5
<b>ORG. REF. NO</b>	
<b>APPLICATION</b> Uygulama	
<b>DESCRIPTION</b> Açıklama	CALIPER MECHANISM HOUSING KALİPER MEKANİZMA YUVASI
1	BEARING HOUSING
2	SPRING



<b>5M Nr.</b> 5M No.	9204.011.5
<b>ORG. REF. NO</b>	
<b>APPLICATION</b> Uygulama	
<b>DESCRIPTION</b> Açıklama	CALIPER MECHANISM HOUSING KALİPER MEKANİZMA YUVASI
1	MECHANISM HOUSING



<b>5M Nr.</b> 5M No.	9204.012.5
<b>ORG. REF. NO</b>	
<b>APPLICATION</b> Uygulama	
<b>DESCRIPTION</b> Açıklama	CALIPER BEARING HOUSING KALİPER BİLYA YUVASI
1	BEARING HOUSING
2	ROLLER BEARING



<b>5M Nr.</b> 5M No.	9204.024.5
<b>ORG. REF. NO</b>	-
<b>APPLICATION</b> Uygulama	TSB 3709 / 4309 / 4312
<b>DESCRIPTION</b> Açıklama	CALIPER BEARING HOUSING KALİPER BİLYA YATAĞI
1	BEARING HOUSING

# FOR BPW TYPE



<b>5M Nr.</b> 5M No.	9204.025.5
<b>ORG. REF. NO</b>	-
<b>APPLICATION</b> Uygulama	TSB 3709 / 4309 / 4312
<b>DESCRIPTION</b> Açıklama	CALIPER ROLLER BEARING KALİPER BİLYA
<b>1</b>	"ROLLER BEARING Ø16.70xØ30.00 - Bilya Çapı : Ø5.16 mm 9 Bilya



<b>5M Nr.</b> 5M No.	9204.013.5		
<b>ORG. REF. NO</b>			
<b>APPLICATION</b> Uygulama			
<b>DESCRIPTION</b> Açıklama	CALIPER LEVER KALİPER KOL		
<b>1</b>	LEVER	<b>5</b>	WASHER
<b>2</b>	LEVER PIN		
<b>3</b>	O-RING		
<b>4</b>	SCREW		



<b>5M Nr.</b> 5M No.	9204.014.5		
<b>ORG. REF. NO</b>			
<b>APPLICATION</b> Uygulama			
<b>DESCRIPTION</b> Açıklama	CALIPER ROLLER BEARING KALİPER SİLİNDİR BİLYA		
<b>1</b>	ROLLER BEARING		



<b>5M Nr.</b> 5M No.	9204.015.5		
<b>ORG. REF. NO</b>			
<b>APPLICATION</b> Uygulama			
<b>DESCRIPTION</b> Açıklama	CALIPER ROLLER BEARING KALİPER SİLİNDİR BİLYA		
<b>1</b>	ROLLER BEARING		



# FOR BPW TYPE



<b>5M Nr.</b> 5M No.	9204.016.5	
<b>ORG. REF. NO</b>		
<b>APPLICATION</b> Uygulama	CALIPER ADJUSTER REPAIR KIT KALİPER AYAR TAMİR TAKIMI	
<b>DESCRIPTION</b> Açıklama		
1	GEAR	5 WASHER
2	BUSH	6 SNAP RING
3	SPRING	
4	SEAL	

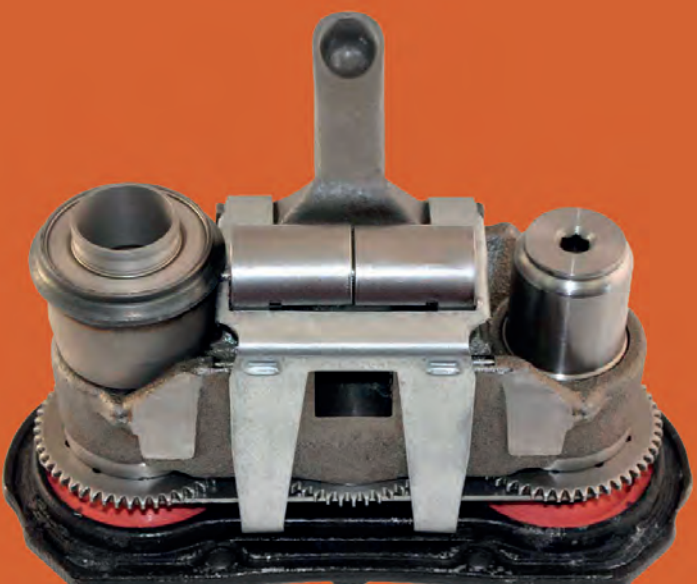


<b>5M Nr.</b> 5M No.	9204.017.5	
<b>ORG. REF. NO</b>		
<b>APPLICATION</b> Uygulama		
<b>DESCRIPTION</b> Açıklama	CALIPER TAP KALİPER KAPAK	
1	METAL TAP	



<b>5M Nr.</b> 5M No.	9204.018.5	
<b>ORG. REF. NO</b>		
<b>APPLICATION</b> Uygulama		
<b>DESCRIPTION</b> Açıklama	CALIPER SNAP RING KALİPER KİLİT SEGMANI	
1	SNAP RING	

# FOR HALDEX TYPE



# FOR HALDEX TYPE



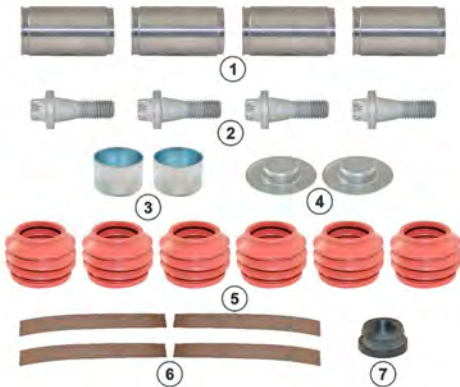
<b>5M Nr.</b> 5M No.	9205.002.5
<b>ORG. REF. NO</b>	
<b>APPLICATION</b> Uygulama	MODUL X
<b>DESCRIPTION</b> Açıklama	CALIPER COMPLETE OVERHAUL REPAIR KIT KALİPER KOMPLE TAMİR TAKIMI



<b>5M Nr.</b> 5M No.	9205.003.5
<b>ORG. REF. NO</b>	
<b>APPLICATION</b> Uygulama	MODUL X
<b>DESCRIPTION</b> Açıklama	CALIPER CALIBRATION MECHANISM COMPLETE KALİPER KOMPLE AYAR MEKANİZMASI



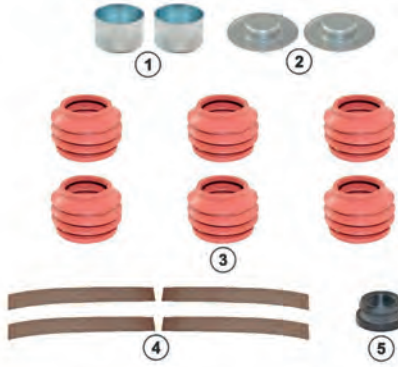
<b>1</b>	CALIBRATION MECHANISM COMPLETE	<b>4</b>	RUBBER TAP
<b>2</b>	ADJUSTER BOLT	<b>5</b>	SEAL
<b>3</b>	SCREW M8x1.25x30 mm		



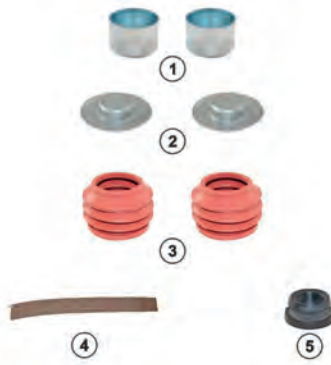
<b>5M Nr.</b> 5M No.	9205.004.5
<b>ORG. REF. NO</b>	91012
<b>APPLICATION</b> Uygulama	MODUL X
<b>DESCRIPTION</b> Açıklama	CALIPER REPAIR KIT KALİPER TAMİR TAKIMI

<b>1</b>	GUIDE PIN Ø35x63 mm	<b>5</b>	BOOT
<b>2</b>	SCREW M14x2x42 mm	<b>6</b>	TEFLON BUSH
<b>3</b>	METAL TAP	<b>7</b>	RUBBER TAP
<b>4</b>	METAL CAP		

# FOR HALDEX TYPE



<b>5M Nr.</b> 5M No.	9205.005.5	
<b>ORG. REF. NO</b>	91013	
<b>APPLICATION</b> Uygulama	MODUL X	
<b>DESCRIPTION</b> Açıklama	CALIPER REPAIR KIT KALİPER TAMİR TAKIMI	
<b>1</b>	METAL TAP	<b>5</b> RUBBER TAP
<b>2</b>	METAL CAP	
<b>3</b>	BOOT	
<b>4</b>	TEFLON BUSH	



<b>5M Nr.</b> 5M No.	9205.006.5	
<b>ORG. REF. NO</b>	91014	
<b>APPLICATION</b> Uygulama	MODUL X	
<b>DESCRIPTION</b> Açıklama	CALIPER REPAIR KIT KALİPER TAMİR TAKIMI	
<b>1</b>	METAL TAP	<b>5</b> RUBBER TAP
<b>2</b>	METAL CAP	
<b>3</b>	BOOT	
<b>4</b>	TEFLON BUSH	



<b>5M Nr.</b> 5M No.	9205.007.5	
<b>ORG. REF. NO</b>	91011	
<b>APPLICATION</b> Uygulama	MODUL X	
<b>DESCRIPTION</b> Açıklama	CALIPER REPAIR KIT KALİPER TAMİR TAKIMI	
<b>1</b>	TAPPET BOOT	
<b>2</b>	SPRING	
<b>3</b>	RUBBER TAP	



<b>5M Nr.</b> 5M No.	9205.028.5	
<b>ORG. REF. NO</b>	-	
<b>APPLICATION</b> Uygulama	MODUL X	
<b>DESCRIPTION</b> Açıklama	CALIPER BOOT KALİPER KÖRÜK	
<b>1</b>	BOOT (2x)	



# FOR HALDEX TYPE



<b>5M Nr.</b> 5M No.	9205.008.5
<b>ORG. REF. NO</b>	
<b>APPLICATION</b> Uygulama	MODUL X
<b>DESCRIPTION</b> Açıklama	CALIPER BRIDGE KALİPER KÖPRÜSÜ
1	BRIDGE
2	BRIDGE SPRING



<b>5M Nr.</b> 5M No.	9205.009.5
<b>ORG. REF. NO</b>	
<b>APPLICATION</b> Uygulama	MODUL X
<b>DESCRIPTION</b> Açıklama	CALIPER LEVER KALİPER KOL
1	LEVER



<b>5M Nr.</b> 5M No.	9205.010.5
<b>ORG. REF. NO</b>	
<b>APPLICATION</b> Uygulama	MODUL X
<b>DESCRIPTION</b> Açıklama	CALIPER ADJUSTING MECHANISM KALİPER AYAR MEKANİZMASI
1	ADJUSTING MECHANISM



<b>5M Nr.</b> 5M No.	9205.011.5
<b>ORG. REF. NO</b>	
<b>APPLICATION</b> Uygulama	MODUL X
<b>DESCRIPTION</b> Açıklama	CALIPER ADJUSTING MECHANISM GEAR KALİPER AYAR MEKANİZMA DİŞLİSİ
1	ADJUSTING MECHANISM GEAR



# FOR HALDEX TYPE



<b>5M Nr.</b> 5M No.	9205.012.5
<b>ORG. REF. NO</b>	
<b>APPLICATION</b> Uygulama	MODUL X
<b>DESCRIPTION</b> Açıklama	CALIPER ADJUSTING GEAR KALİPER AYAR DİŞLİSİ
<b>1</b>	ADJUSTING GEAR



<b>5M Nr.</b> 5M No.	9205.013.5
<b>ORG. REF. NO</b>	
<b>APPLICATION</b> Uygulama	MODUL X
<b>DESCRIPTION</b> Açıklama	CALIPER INTERMEDIATE GEAR KALİPER ARA DİŞLİSİ
<b>1</b>	INTERMEDIATE GEAR
<b>2</b>	WAVY WASHER
<b>3</b>	SNAP RING



<b>5M Nr.</b> 5M No.	9205.014.5
<b>ORG. REF. NO</b>	
<b>APPLICATION</b> Uygulama	MODUL X
<b>DESCRIPTION</b> Açıklama	CALIPER TAPPET AND BOLT KIT KALİPER İTİCİ VE ÇİVATA TAKIMI
<b>1</b>	CALIBRATION BOLT
<b>2</b>	BUSH
<b>3</b>	TAPPET

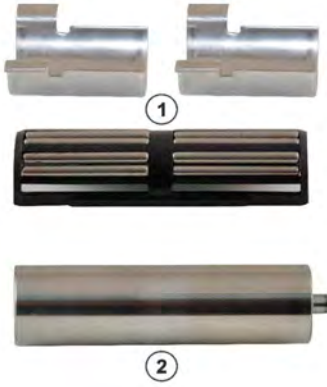


<b>5M Nr.</b> 5M No.	9205.015.5
<b>ORG. REF. NO</b>	
<b>APPLICATION</b> Uygulama	MODUL X
<b>DESCRIPTION</b> Açıklama	CALIPER COVER PLATE KALİPER PLAKA KAPAĞI
<b>1</b>	COVER PLATE
<b>2</b>	COVER SCREW M8x1.25x30 mm

# FOR HALDEX TYPE



<b>5M Nr.</b> 5M No.	9205.016.5
<b>ORG. REF. NO</b>	
<b>APPLICATION</b> Uygulama	MODUL X
<b>DESCRIPTION</b> Açıklama	CALIPER LOCKING SHIM KALİPER KİLİT PULU
1	LOCKING SHIM



<b>5M Nr.</b> 5M No.	9205.017.5
<b>ORG. REF. NO</b>	
<b>APPLICATION</b> Uygulama	MODUL X
<b>DESCRIPTION</b> Açıklama	CALIPER ROLLER BEARING KALİPER SİLİNDİR BİLYASI
1	ROLLER BEARING
2	LEVER PIN



<b>5M Nr.</b> 5M No.	9205.018.5
<b>ORG. REF. NO</b>	
<b>APPLICATION</b> Uygulama	MODUL X
<b>DESCRIPTION</b> Açıklama	CALIPER ROLLER BEARING KALİPER SİLİNDİR BİLYASI
1	ROLLER BEARING



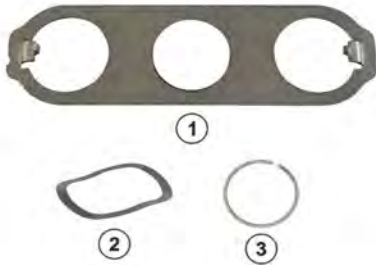
<b>5M Nr.</b> 5M No.	9205.019.5
<b>ORG. REF. NO</b>	
<b>APPLICATION</b> Uygulama	MODUL X
<b>DESCRIPTION</b> Açıklama	CALIPER ROLLER BEARING KALİPER SİLİNDİR BİLYASI
1	ROLLER BEARING



# FOR HALDEX TYPE



<b>5M Nr.</b> 5M No.	9205.001.5
<b>ORG. REF. NO</b>	90693
<b>APPLICATION</b> Uygulama	MODUL X
<b>DESCRIPTION</b> Açıklama	CALIPER ADJUSTER BOLT KIT KALİPER AYAR CİVATASI TAKIMI
<b>1</b>	ADJUSTER BOLT
<b>2</b>	RUBBER TAP
<b>3</b>	SEAL



<b>5M Nr.</b> 5M No.	9205.020.5
<b>ORG. REF. NO</b>	
<b>APPLICATION</b> Uygulama	MODUL X
<b>DESCRIPTION</b> Açıklama	CALIPER LOCKING SHIM KALİPER KİLİT PULU
<b>1</b>	LOCKING SHIM
<b>2</b>	WAVY WASHER
<b>3</b>	SNAP RING



<b>5M Nr.</b> 5M No.	9205.021.5
<b>ORG. REF. NO</b>	91019
<b>APPLICATION</b> Uygulama	MODUL X
<b>DESCRIPTION</b> Açıklama	CALIPER METAL TAP KALİPER METAL KAPAK
<b>1</b>	METAL TAP



<b>5M Nr.</b> 5M No.	9205.022.5
<b>ORG. REF. NO</b>	90673
<b>APPLICATION</b> Uygulama	MODUL X
<b>DESCRIPTION</b> Açıklama	CALIPER PAD RETAINER KALİPER BALATA TUTUCU
<b>1</b>	PAD RETAINER
<b>2</b>	SCREW M10x1.5x20 mm



# FOR HALDEX TYPE



<b>5M Nr.</b> 5M No.	9205.027.5	
<b>ORG. REF. NO</b>	-	
<b>APPLICATION</b> Uygulama	MODUL T , SAF SBS2220 , KRONE DBT22LT	
<b>DESCRIPTION</b> Açıklama	CALIPER CALIBRATION MECHANISM COMPLATE KALİPER KOMPLE AYAR MEKANİZMASI	
<b>1</b>	CALIBRATION MECHANISM	



<b>5M Nr.</b> 5M No.	9205.024.5	
<b>ORG. REF. NO</b>	-	
<b>APPLICATION</b> Uygulama	MODUL T , SAF SBS2220 , KRONE DBT22LT	
<b>DESCRIPTION</b> Açıklama	CALIPER ADJUSTING MECHANISM KALİPER AYAR MEKANİZMASI	
<b>1</b>	ADJUSTING MECHANISM	



<b>5M Nr.</b> 5M No.	9205.023.5	
<b>ORG. REF. NO</b>	3 434 3861 00 , 95397 - 95054 , KRO- NE.550017811	
<b>APPLICATION</b> Uygulama	MODUL T , SAF SBS2220 , KRONE DBT22LT	
<b>DESCRIPTION</b> Açıklama	CALIPER REPAIR KIT KALİPER TAMİR TAKIMI	
<b>1</b>	GUIDE PIN Ø35x120 mm	<b>7</b> BUSH RETAINER
<b>2</b>	GUIDE PIN Ø35.5x87 mm	<b>8</b> BOOT (2x)
<b>3</b>	SCREW M16x1.5x80 (2x)	<b>9</b> WASHER (2x)
<b>4</b>	PIN CAP Ø45x22 mm	<b>10</b> BUSH (2x)
<b>5</b>	PIN CAP Ø42x26 mm	
<b>6</b>	PLASTIC BUSH	

# FOR HALDEX TYPE



5M Nr. 5M No.	9205.025.5		
ORG. REF. NO	-		
APPLICATION Uygulama	MODUL T , SAF SBS2220 , KRONE DBT22LT		
DESCRIPTION Açıklama	CALIPER BRIDGE KALİPER KÖPRÜ		
1	BRIDGE		



5M Nr. 5M No.	9205.026.5		
ORG. REF. NO	-		
APPLICATION Uygulama	MODUL T , SAF SBS2220 , KRONE DBT22LT		
DESCRIPTION Açıklama	CALIPER REPAIR KIT KALİPER TAMİR TAKIMI		
1	ADJUSTING GEAR (PLASTIC)		
2	PLASTIC TAP		
3	ADJUSTING GEAR (PLASTIC)		
4	O-RING		



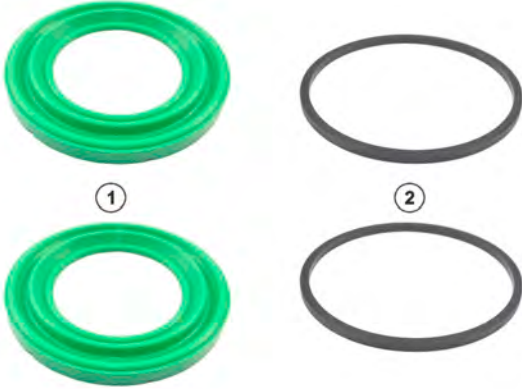
**FOR IVECO TYPE**



# FOR IVECO TYPE



<b>5M Nr.</b> 5M No.	9206.001.5
<b>ORG. REF. NO</b>	93161181
<b>APPLICATION</b> Uygulama	
<b>DESCRIPTION</b> Açıklama	CALIPER REPAIR KIT KALİPER TAMİR TAKIMI
<b>1</b>	DUST COVER
<b>2</b>	SEAL



<b>5M Nr.</b> 5M No.	9206.002.5
<b>ORG. REF. NO</b>	93161429
<b>APPLICATION</b> Uygulama	
<b>DESCRIPTION</b> Açıklama	CALIPER REPAIR KIT KALİPER TAMİR TAKIMI
<b>1</b>	DUST COVER
<b>2</b>	SEAL



<b>5M Nr.</b> 5M No.	9206.003.5
<b>ORG. REF. NO</b>	93162033
<b>APPLICATION</b> Uygulama	
<b>DESCRIPTION</b> Açıklama	CALIPER PISTON SET KALİPER PİSTON AYARLAYICISI
<b>1</b>	PISTON



<b>5M Nr.</b> 5M No.	9206.004.5
<b>ORG. REF. NO</b>	93160387
<b>APPLICATION</b> Uygulama	
<b>DESCRIPTION</b> Açıklama	CALIPER PISTON SET KALİPER PİSTON AYARLAYICISI
<b>1</b>	PISTON



# FOR IVECO TYPE



<b>5M Nr.</b> 5M No.	9206.005.5
<b>ORG. REF. NO</b>	93159285
<b>APPLICATION</b> Uygulama	
<b>DESCRIPTION</b> Açıklama	CALIPER PISTON KALİPER PİSTON
<b>1</b>	PISTON



<b>5M Nr.</b> 5M No.	9206.006.5
<b>ORG. REF. NO</b>	93161244
<b>APPLICATION</b> Uygulama	
<b>DESCRIPTION</b> Açıklama	CALIPER REPAIR KIT KALİPER TAMİR TAKIMI
<b>1</b>	PISTON
<b>2</b>	LOCKING SHIM
<b>3</b>	SPRING
<b>4</b>	SNAP RING



<b>5M Nr.</b> 5M No.	9206.007.5
<b>ORG. REF. NO</b>	93161475
<b>APPLICATION</b> Uygulama	
<b>DESCRIPTION</b> Açıklama	CALIPER REPAIR KIT KALİPER TAMİR TAKIMI
<b>1</b>	GUIDE PIN Ø20x71 mm
<b>2</b>	SCREW M12x1.25x85 mm
<b>3</b>	BOOT
<b>4</b>	METAL TAP
<b>5</b>	SCREW

# FOR IVECO TYPE



<b>5M Nr.</b> 5M No.	9206.008.5		
<b>ORG. REF. NO</b>	93161471		
<b>APPLICATION</b> Uygulama			
<b>DESCRIPTION</b> Açıklama			
1	BOOT	9	SNAP RING
2	O-RING	10	SNAP RING
3	METAL TAP	11	SCREW
4	SEAL		
5	O-RING		
6	O-RING		
7	BOOT		
8	O-RING		



<b>5M Nr.</b> 5M No.	9206.009.5		
<b>ORG. REF. NO</b>	93161192 - 381.413		
<b>APPLICATION</b> Uygulama			
<b>DESCRIPTION</b> Açıklama	CALIPER REPAIR KIT KALİPER TAMİR TAKIMI		
1	BOOT		
2	TEFLON		
3	BOOT		
4	METAL RING		
5	BOOT		
6	METAL RING		
7	METAL RING		

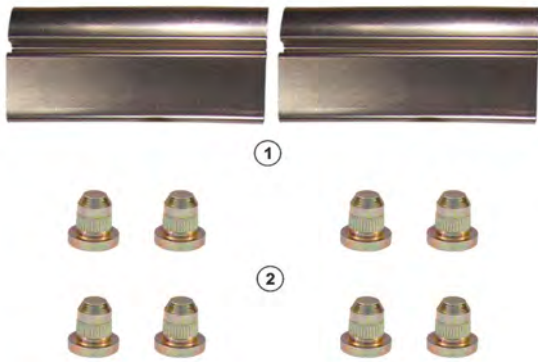


<b>5M Nr.</b> 5M No.	9206.010.5		
<b>ORG. REF. NO</b>	93161189		
<b>APPLICATION</b> Uygulama			
<b>DESCRIPTION</b> Açıklama	CALIPER REPAIR KIT KALİPER TAMİR TAKIMI		
1	GUIDE PIN		
2	SCREW M22x1.5x175 mm		
3	GUIDE PIN		
4	SCREW M16x1.5x125 mm		
5	BUSH		
6	BUSH		

# FOR IVECO TYPE



<b>5M Nr.</b> 5M No.	9206.011.5	
<b>ORG. REF. NO</b>	93161559	
<b>APPLICATION</b> Uygulama		
<b>DESCRIPTION</b> Açıklama	CALIPER REPAIR KIT KALİPER TAMİR TAKIMI	
1	SPRING	5
2	SPRING	6
3	ADJUSTING SHIM	7
4	SPRING	
		5
		6
		7



<b>5M Nr.</b> 5M No.	9206.012.5	
<b>ORG. REF. NO</b>	93161908	
<b>APPLICATION</b> Uygulama		
<b>DESCRIPTION</b> Açıklama	CALIPER REPAIR KIT KALİPER TAMİR TAKIMI	
1	LOCKING SHIM	
2	PIN	



<b>5M Nr.</b> 5M No.	9206.013.5	
<b>ORG. REF. NO</b>	93161622 - 93162114	
<b>APPLICATION</b> Uygulama	Ø410 SIMPLEX	
<b>DESCRIPTION</b> Açıklama	BRAKE REPAIR KIT FREN TAMİR TAKIMI	
1	PISTON	4
2	DRIVE BUSH (41 THREAD)	5
3	ADJUSTER CLIP	6
		7
		4
		5
		6
		7



<b>5M Nr.</b> 5M No.	9206.014.5	
<b>ORG. REF. NO</b>	42491950 - RBSK 0502	
<b>APPLICATION</b> Uygulama	Ø394/381 DUPLEX	
<b>DESCRIPTION</b> Açıklama	BRAKE REPAIR KIT FREN TAMİR TAKIMI	
1	PISTON	4
2	ADJUSTER CLIP	5
3	DRIVE BUSH (54 THREAD)	6
		4
		5
		6



# FOR IVECO TYPE



<b>5M Nr.</b> 5M No.	<b>9206.015.5</b>
<b>ORG. REF. NO</b>	93161623 - RBSK 1407
<b>APPLICATION</b> Uygulama	Ø410 SIMPLEX
<b>DESCRIPTION</b> Açıklama	BRAKE REPAIR KIT FREN TAMİR TAKIMI
<b>1</b>	PISTON
<b>2</b>	DRIVE BUSH (41 THREAD)
<b>3</b>	ADJUSTER CLIP



<b>5M Nr.</b> 5M No.	<b>9206.016.5</b>
<b>ORG. REF. NO</b>	42491974
<b>APPLICATION</b> Uygulama	
<b>DESCRIPTION</b> Açıklama	BRAKE REPAIR KIT (SHORT) FREN TAMİR TAKIMI (KISA)
<b>1</b>	PISTON
<b>2</b>	DRIVE BUSH (54 THREAD)
<b>3</b>	ADJUSTER CLIP



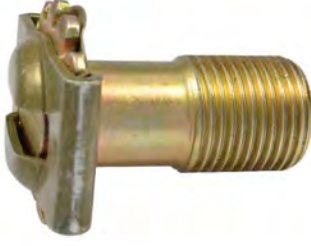
<b>5M Nr.</b> 5M No.	<b>9206.017.5</b>
<b>ORG. REF. NO</b>	42536195
<b>APPLICATION</b> Uygulama	
<b>DESCRIPTION</b> Açıklama	BRAKE REPAIR KIT FREN TAMİR TAKIMI
<b>1</b>	PISTON
<b>2</b>	DRIVE BUSH (54 THREAD)
<b>3</b>	ADJUSTER CLIP



<b>5M Nr.</b> 5M No.	<b>9206.018.5</b>
<b>ORG. REF. NO</b>	42531676 - A22297E5907
<b>APPLICATION</b> Uygulama	Ø410 SIMPLEX
<b>DESCRIPTION</b> Açıklama	BRAKE ADJUSTER FREN AYARLAYICI
<b>1</b>	BRAKE ADJUSTER



# FOR IVECO TYPE



<b>5M Nr.</b> 5M No.	9206.019.5	
<b>ORG. REF. NO</b>	42480059 - A2297L3158 - A164002	
<b>APPLICATION</b> Uygulama	Ø394/381 DUPLEX	
<b>DESCRIPTION</b> Açıklama	BRAKE ADJUSTER FREN AYARLAYICI	
<b>1</b>	BRAKE ADJUSTER	



<b>5M Nr.</b> 5M No.	9206.020.5	
<b>ORG. REF. NO</b>	42480060 - 3280Y8163	
<b>APPLICATION</b> Uygulama	Ø394/381 DUPLEX	
<b>DESCRIPTION</b> Açıklama	PISTON PISTON	
<b>1</b>	PISTON	



<b>5M Nr.</b> 5M No.	9206.021.5	
<b>ORG. REF. NO</b>	42537366	
<b>APPLICATION</b> Uygulama	Ø410	
<b>DESCRIPTION</b> Açıklama	BRAKE REPAIR KIT (LEFT) FREN TAMİR TAKIMI (SOL)	
<b>1</b>	PLUNGER	
<b>2</b>	ADJUSTER CLIP	
<b>3</b>	BOOT	



<b>5M Nr.</b> 5M No.	9206.022.5	
<b>ORG. REF. NO</b>	42537365	
<b>APPLICATION</b> Uygulama	Ø410	
<b>DESCRIPTION</b> Açıklama	BRAKE REPAIR KIT (RIGHT) FREN TAMİR TAKIMI (SAĞ)	
<b>1</b>	PLUNGER	
<b>2</b>	ADJUSTER CLIP	
<b>3</b>	BOOT	

# FOR IVECO TYPE



<b>5M Nr.</b> 5M No.	9206.023.5
<b>ORG. REF. NO</b>	7980405
<b>APPLICATION</b> Uygulama	Ø394/381 DUPLEX
<b>DESCRIPTION</b> Açıklama	BRAKE PISTON KIT (LEFT) FREN PİSTON TAKIMI (SOL)
<b>1</b>	PLUNGER
<b>2</b>	ADJUSTER CLIP
<b>3</b>	BOOT



<b>5M Nr.</b> 5M No.	9206.024.5
<b>ORG. REF. NO</b>	7980406
<b>APPLICATION</b> Uygulama	Ø394/381 DUPLEX
<b>DESCRIPTION</b> Açıklama	BRAKE PISTON KIT (RIGHT) FREN PİSTON TAKIMI (SAĞ)
<b>1</b>	PLUNGER
<b>2</b>	ADJUSTER CLIP
<b>3</b>	BOOT



<b>5M Nr.</b> 5M No.	9206.025.5
<b>ORG. REF. NO</b>	7984216
<b>APPLICATION</b> Uygulama	
<b>DESCRIPTION</b> Açıklama	PLUNGER (RIGHT) PİSTON (SAĞ)
<b>1</b>	PLUNGER



<b>5M Nr.</b> 5M No.	9206.026.5
<b>ORG. REF. NO</b>	7984217
<b>APPLICATION</b> Uygulama	
<b>DESCRIPTION</b> Açıklama	PLUNGER (LEFT) PİSTON (SOL)
<b>1</b>	PLUNGER



# FOR IVECO TYPE



<b>5M Nr.</b> 5M No.	9206.027.5		
<b>ORG. REF. NO</b>	7980408		
<b>APPLICATION</b> Uygulama			
<b>DESCRIPTION</b> Açıklama	BOOT KIT KÖRÜK TAKIMI		
1	BOOT		
2	BOOT		



<b>5M Nr.</b> 5M No.	9206.028.5		
<b>ORG. REF. NO</b>	42488735 - 1205B1666 - 166045		
<b>APPLICATION</b> Uygulama	Ø394/381 DUPLEX		
<b>DESCRIPTION</b> Açıklama	BOOT KÖRÜK		
1	BOOT		



<b>5M Nr.</b> 5M No.	9206.029.5		
<b>ORG. REF. NO</b>	42488736 - 1205C1667 - 166046		
<b>APPLICATION</b> Uygulama	Ø394/381 DUPLEX		
<b>DESCRIPTION</b> Açıklama	BOOT KÖRÜK		
1	BOOT		



<b>5M Nr.</b> 5M No.	9206.030.5		
<b>ORG. REF. NO</b>	42531677 - 1205x2000 - 6C462B009AA		
<b>APPLICATION</b> Uygulama	Ø394/381 DUPLEX		
<b>DESCRIPTION</b> Açıklama	BOOT KÖRÜK		
1	BOOT		



# FOR IVECO TYPE



<b>5M Nr.</b> 5M No.	9206.031.5		
<b>ORG. REF. NO</b>	42488484 - 2257Y1143 - 6C462D160AA		
<b>APPLICATION</b> Uygulama			
<b>DESCRIPTION</b> Açıklama	CLIP KLIPS		
<b>1</b>	CLIP		



<b>5M Nr.</b> 5M No.	9206.032.5		
<b>ORG. REF. NO</b>	7980407 - RBSK0250		
<b>APPLICATION</b> Uygulama	Ø394/381 DUPLEX		
<b>DESCRIPTION</b> Açıklama	BRAKE WEDGE KIT FREN TAKOZ TAKIMI		
<b>1</b>	BRAKE WEDGE		



<b>5M Nr.</b> 5M No.	9206.033.5		
<b>ORG. REF. NO</b>	93161621 - RBSK1255 - RBSK2051		
<b>APPLICATION</b> Uygulama	Ø410 SIMPLEX		
<b>DESCRIPTION</b> Açıklama	BRAKE WEDGE KIT FREN TAKOZ TAKIMI		
<b>1</b>	BRAKE WEDGE		



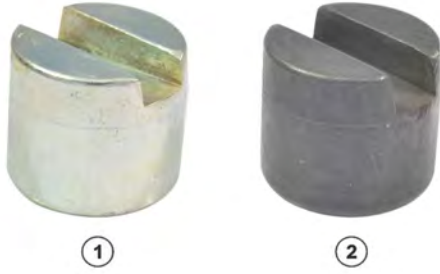
<b>5M Nr.</b> 5M No.	9206.034.5		
<b>ORG. REF. NO</b>	93161254 - 12999418VT		
<b>APPLICATION</b> Uygulama			
<b>DESCRIPTION</b> Açıklama	BRAKE CYLINDER KIT FREN SİLİNDİR TAKIMI		
<b>1</b>	BOOT		
<b>2</b>	BRAKE ADJUSTER		
<b>3</b>	WAVY RING		
<b>4</b>	WASHER		



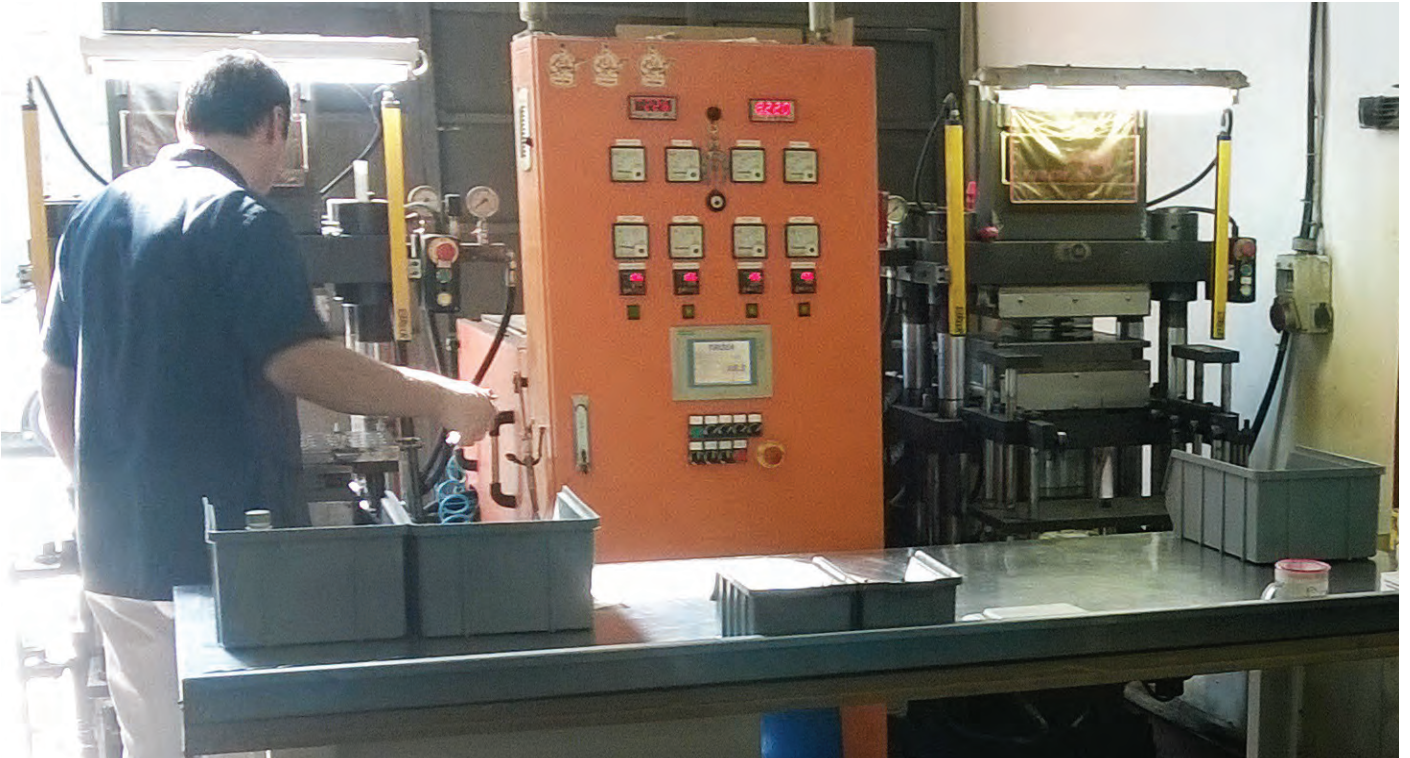
# FOR IVECO TYPE



<b>5M Nr.</b> 5M No.	9206.035.5	
<b>ORG. REF. NO</b>	8124815 - 12999135VT	
<b>APPLICATION</b> Uygulama		
<b>DESCRIPTION</b> Açıklama	BRAKE CYLINDER KIT FREN SİLİNDİR TAKIMI	
1	CALIBRATION GEAR	5 SPRING
2	CALIBRATION GEAR	6 SPRING
3	CALIBRATION BOLT	
4	SPRING - PIN	



<b>5M Nr.</b> 5M No.	9206.036.5	
<b>ORG. REF. NO</b>	42538062	
<b>APPLICATION</b> Uygulama		
<b>DESCRIPTION</b> Açıklama	PISTON REPAIR KIT PISTON TAMİR TAKIMI	
1	PISTON 7°	
2	PISTON 0°	





**FOR Z-CAM TYPE**



# FOR Z-CAM TYPE



<b>5M Nr.</b> 5M No.	9207.001.5		
<b>ORG. REF. NO</b>	68192115 - 3097092 - 1696444 - .5001868113 - 9C462296AA		
<b>APPLICATION</b> Uygulama	Z - CAM		
<b>DESCRIPTION</b> Açıklama	RETURN SPRING DÖNÜŞ YAYI		
<b>1</b>	RETURN SPRING		



<b>5M Nr.</b> 5M No.	9207.002.5		
<b>ORG. REF. NO</b>	68192487 - 30972299 - 1698346 - 9C462069AA		
<b>APPLICATION</b> Uygulama	Z - CAM		
<b>DESCRIPTION</b> Açıklama	RETURN SPRING PIN DÖNÜŞ YAYI PİMİ		
<b>1</b>	RETURN SPRING PIN		



<b>5M Nr.</b> 5M No.	9207.003.5		
<b>ORG. REF. NO</b>	3090997 - 1081819		
<b>APPLICATION</b> Uygulama	Z - CAM		
<b>DESCRIPTION</b> Açıklama	ADJUSTING PINION (LEFT) AYAR DİŞLİSİ (SOL)		
<b>1</b>	ADJUSTING PINION		



<b>5M Nr.</b> 5M No.	9207.004.5		
<b>ORG. REF. NO</b>	3090998 - 1081820		
<b>APPLICATION</b> Uygulama	Z - CAM		
<b>DESCRIPTION</b> Açıklama	ADJUSTING PINION (RIGHT) AYAR DİŞLİSİ (SAĞ)		
<b>1</b>	ADJUSTING PINION		



# FOR Z-CAM TYPE



<b>5M Nr.</b> 5M No.	9207.005.5	
<b>ORG. REF. NO</b>	68191219 - 272910 - .5001868121 - 9C462458AA	
<b>APPLICATION</b> Uygulama	Z - CAM	
<b>DESCRIPTION</b> Açıklama	CROSS SHAFT ÇAPRAZ MİL	
<b>1</b>	CROSS SHAFT	



<b>5M Nr.</b> 5M No.	9207.006.5	
<b>ORG. REF. NO</b>	64225252 - 1696446 - .5001868120 - 9C462B003AA	
<b>APPLICATION</b> Uygulama	Z - CAM	
<b>DESCRIPTION</b> Açıklama	TRUST PIN MASURA BİLYA	
<b>1</b>	TRUST PIN	



<b>5M Nr.</b> 5M No.	9207.007.5	
<b>ORG. REF. NO</b>	68192566 - 272908 - 30971008550977 - 9C462A105BA	
<b>APPLICATION</b> Uygulama	Z - CAM	
<b>DESCRIPTION</b> Açıklama	ADJUSTING GEAR (RIGHT) AYAR DİŞLİSİ (SAĞ)	
<b>1</b>	ADJUSTING GEAR	



<b>5M Nr.</b> 5M No.	9207.008.5	
<b>ORG. REF. NO</b>	68162565 - 272909 - 3097099 - 8550978 - 9C462A105AA	
<b>APPLICATION</b> Uygulama	Z - CAM	
<b>DESCRIPTION</b> Açıklama	ADJUSTING GEAR (LEFT) AYAR DİŞLİSİ (SOL)	
<b>1</b>	ADJUSTING GEAR	

# FOR Z-CAM TYPE



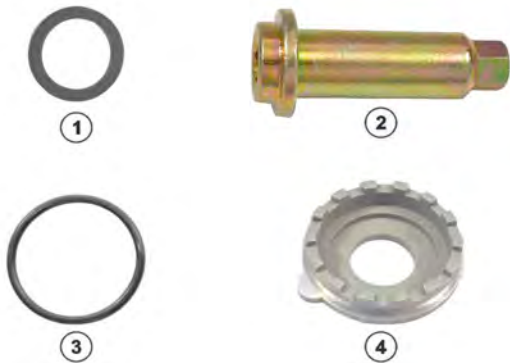
<b>5M Nr.</b> 5M No.	9207.009.5	
<b>ORG. REF. NO</b>	272904	
<b>APPLICATION</b> Uygulama	Z - CAM	
<b>DESCRIPTION</b> Açıklama	ADJUSTING GEAR CAP AYAR DIŞLİSİ KAPAĞI	
1	GEAR CAP	
2	O-RING	



<b>5M Nr.</b> 5M No.	9207.010.5	
<b>ORG. REF. NO</b>	276099	
<b>APPLICATION</b> Uygulama	Z - CAM	
<b>DESCRIPTION</b> Açıklama	LOCK CAP REPAIR KIT (THICK THREAD) KİLİT KAPAĞI TAMİR TAKIMI (KALIN DIŞLİ)	
1	BOOT	5 O-RING
2	PIN	
3	O-RING	
4	CAP (BIG THREAD)	



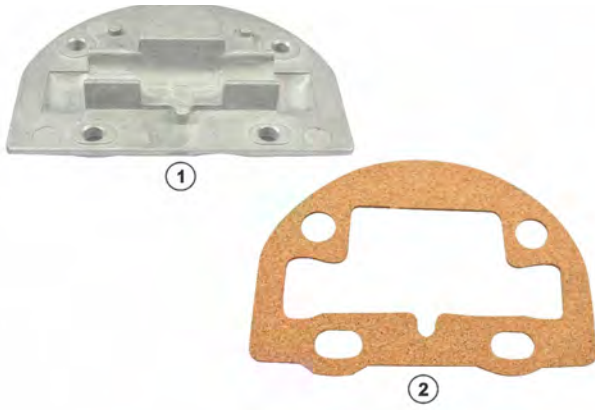
<b>5M Nr.</b> 5M No.	9207.011.5	
<b>ORG. REF. NO</b>	276100 - 3090964	
<b>APPLICATION</b> Uygulama	Z - CAM	
<b>DESCRIPTION</b> Açıklama	LOCK CAP REPAIR KIT (THIN THREAD) KİLİT KAPAĞI TAMİR TAKIMI (İNCE DIŞLİ)	
1	BOOT	5 O-RING
2	PIN	
3	O-RING	
4	CAP (THIN THREAD)	



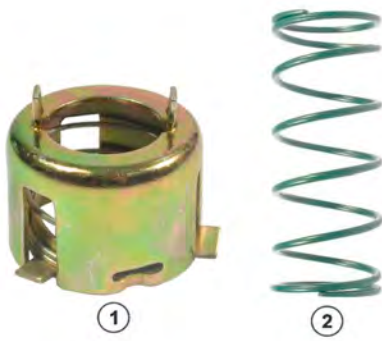
<b>5M Nr.</b> 5M No.	9207.012.5	
<b>ORG. REF. NO</b>	276096	
<b>APPLICATION</b> Uygulama	Z - CAM	
<b>DESCRIPTION</b> Açıklama	LOCK CAP REPAIR KIT KİLİT KAPAĞI TAMİR TAKIMI	
1	O-RING	
2	PIN	
3	O-RING	
4	CAP (WITHOUT TUBE)	



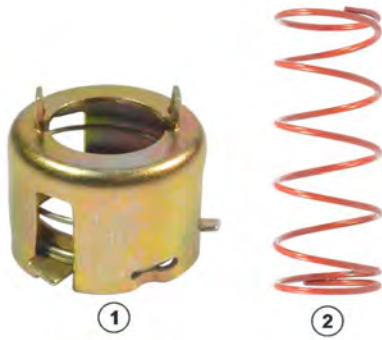
# FOR Z-CAM TYPE



<b>5M Nr.</b> 5M No.	<b>9207.013.5</b>
<b>ORG. REF. NO</b>	1696449 - 1696450
<b>APPLICATION</b> Uygulama	Z - CAM
<b>DESCRIPTION</b> Açıklama	COVER AND GASKET KAPAK VE CONTA
<b>1</b>	COVER
<b>2</b>	GASKET



<b>5M Nr.</b> 5M No.	<b>9207.014.5</b>
<b>ORG. REF. NO</b>	68191541 - 276098 - 9C462K400BA
<b>APPLICATION</b> Uygulama	Z - CAM
<b>DESCRIPTION</b> Açıklama	REVERSE LOCK REPAIR KIT (RIGHT) TERS KİLİT TAMİR TAKIMI (SAĞ)
<b>1</b>	LOCKING SHIM
<b>2</b>	LOCKING SPRING



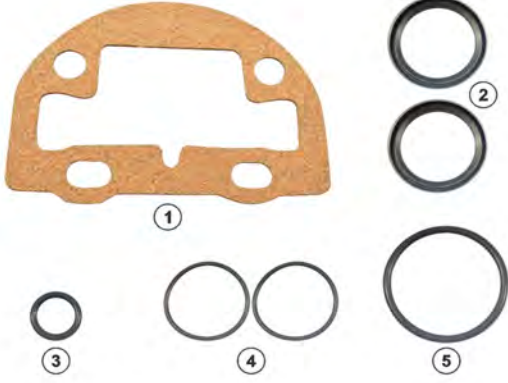
<b>5M Nr.</b> 5M No.	<b>9207.015.5</b>
<b>ORG. REF. NO</b>	68191540 - 276097 - 9C462K400AA
<b>APPLICATION</b> Uygulama	Z - CAM
<b>DESCRIPTION</b> Açıklama	REVERSE LOCK REPAIR KIT (LEFT) TERS KİLİT TAMİR TAKIMI (SOL)
<b>1</b>	LOCKING SHIM
<b>2</b>	LOCKING SPRING



<b>5M Nr.</b> 5M No.	<b>9207.016.5</b>
<b>ORG. REF. NO</b>	68192410 - 3090750 - 1696448 - 5001868119 - 9C462B009AA
<b>APPLICATION</b> Uygulama	Z - CAM
<b>DESCRIPTION</b> Açıklama	DUST COVER TOZ KÖRÜĞÜ
<b>1</b>	DUST COVER



# FOR Z-CAM TYPE



<b>5M Nr.</b> 5M No.	9207.017.5	
<b>ORG. REF. NO</b>	272905	
<b>APPLICATION</b> Uygulama	Z - CAM	
<b>DESCRIPTION</b> Açıklama	GASKET KIT CONTA TAKIMI	
<b>1</b>	GASKET	<b>5</b> O-RING
<b>2</b>	SEAL	
<b>3</b>	O-RING	
<b>4</b>	O-RING	



<b>5M Nr.</b> 5M No.	9207.018.5	
<b>ORG. REF. NO</b>	68191511 - 1696925 - 272907 - 5001868125 - 9C462K161AA	
<b>APPLICATION</b> Uygulama	Z - CAM	
<b>DESCRIPTION</b> Açıklama	PINION (RIGHT) (NEW MODEL) DİŞLİ (SAĞ) (YENİ MODEL)	
<b>1</b>	PINION	



<b>5M Nr.</b> 5M No.	9207.019.5	
<b>ORG. REF. NO</b>	68191510 - 1696924 - 272906 -.5001868126 - 9C462K161BA	
<b>APPLICATION</b> Uygulama	Z - CAM	
<b>DESCRIPTION</b> Açıklama	PINION (LEFT) (NEW MODEL) DİŞLİ (SOL) (YENİ MODEL)	
<b>1</b>	PINION	



<b>5M Nr.</b> 5M No.	9207.020.5	
<b>ORG. REF. NO</b>	68191510 - 1696924 -.5001868126	
<b>APPLICATION</b> Uygulama	Z - CAM	
<b>DESCRIPTION</b> Açıklama	PINION (LEFT) (OLD MODEL) DİŞLİ (SOL) (ESKİ MODEL)	
<b>1</b>	PINION	



## FOR Z-CAM TYPE



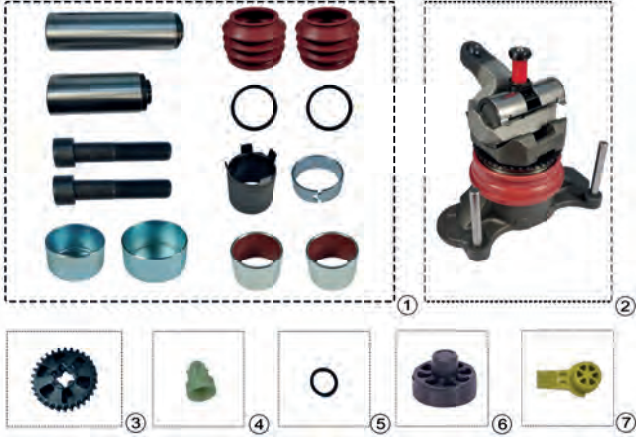
5M Nr. 5M No.	9207.021.5		
ORG. REF. NO	68191511 - 1696925 -.5001868125		
APPLICATION Uygulama	Z - CAM		
DESCRIPTION Açıklama	PINION (RIGHT) (OLD MODEL) DİŞLİ (SAĞ) (ESKİ MODEL)		
1	PINION		



FOR SAFETY



# FOR SAF TYPE



<b>5M Nr.</b> 5M No.	9208.016.5	
<b>ORG. REF. NO</b>	-	
<b>APPLICATION</b> Uygulama	MODUL T , SAF SBS2220	
<b>DESCRIPTION</b> Açıklama	CALIPER REPAIR SET KALİPER TAMİR SETİ	
<b>1</b>	9205.023.5	<b>5</b> O-RING
<b>2</b>	9205.027.5	<b>6</b> ADJUSTING GEAR (PLASTIC)
<b>3</b>	ADJUSTING GEAR (PLASTIC)	<b>7</b> PLASTIC TAP
<b>4</b>	ADJUSTING GEAR (PLASTIC)	



<b>5M Nr.</b> 5M No.	9208.001.5	
<b>ORG. REF. NO</b>	-	
<b>APPLICATION</b> Uygulama	MODUL T , SAF SBS2220 , KRONE DBT22LT	
<b>DESCRIPTION</b> Açıklama	CALIPER LEVER KALİPER KOLU	
<b>1</b>	LEVER	



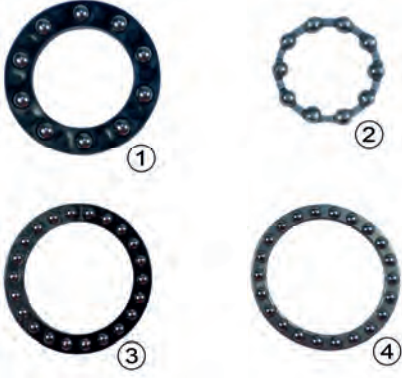
<b>5M Nr.</b> 5M No.	9208.002.5	
<b>ORG. REF. NO</b>	-	
<b>APPLICATION</b> Uygulama	MODUL T , SAF SBS2220 , KRONE DBT22LT	
<b>DESCRIPTION</b> Açıklama	CALIPER ADJUSTING GEAR KALİPER AYAR MEKANİZMASI	
<b>1</b>	ADJUSTING GEAR	



<b>5M Nr.</b> 5M No.	9208.009.5	
<b>ORG. REF. NO</b>	-	
<b>APPLICATION</b> Uygulama	MODUL T , SAF SBS2220 , KRONE DBT22LT	
<b>DESCRIPTION</b> Açıklama	CALIPER MECHANISM BEARING HOUSE KALİPER MEKANİZMASI BİLYA YATAĞI	
<b>1</b>	BEARING HOUSE	



# FOR SAF TYPE



<b>5M Nr.</b> 5M No.	9208.007.5	
<b>ORG. REF. NO</b>	-	
<b>APPLICATION</b> Uygulama	MODUL T , SAF SBS2220 , KRONE DBT22LT	
<b>DESCRIPTION</b> Açıklama	CALIPER BEARING REPAIR KIT KALİPER BİLYA TAMİR TAKIMI	
<b>1</b>	ADJUSTER BEARING	
<b>2</b>	SIDE BEARING	
<b>3</b>	CENTER BEARING	
<b>4</b>	CENTER BEARING	



<b>5M Nr.</b> 5M No.	9208.010.5	
<b>ORG. REF. NO</b>	-	
<b>APPLICATION</b> Uygulama	MODUL T , SAF SBS2220 , KRONE DBT22LT	
<b>DESCRIPTION</b> Açıklama	CALIPER BEARING HOUSE KALİPER BİLYA YATAĞI	
<b>1</b>	BEARING HOUSE (5x)	



<b>5M Nr.</b> 5M No.	9208.015.5	
<b>ORG. REF. NO</b>	-	
<b>APPLICATION</b> Uygulama	MODUL T , SAF SBS2220	
<b>DESCRIPTION</b> Açıklama	CALIPER PAD RETAINER KIT KALİPER BALATA TUTUCU TAKIMI	
<b>1</b>	PAD RETAINER	
<b>2</b>	ADJUSTING GEAR (PLASTIC)	
<b>3</b>	LOCKING SPRING	



<b>5M Nr.</b> 5M No.	9208.003.5	
<b>ORG. REF. NO</b>	3 434 3863 00	
<b>APPLICATION</b> Uygulama	MODUL T , SAF SBS2220 , KRONE DBT22LT	
<b>DESCRIPTION</b> Açıklama	CALIPER PISTON BOOT KALİPER PİSTON KÖRÜĞÜ	
<b>1</b>	BOOT (5x)	

# FOR SAF TYPE



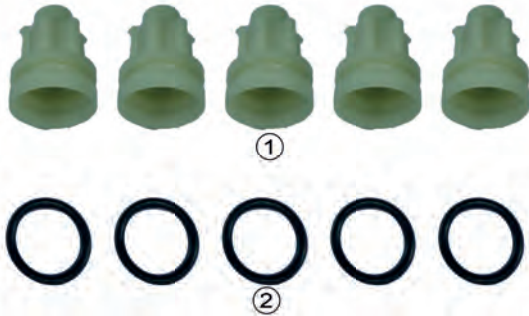
5M Nr. 5M No.	9208.006.5
ORG. REF. NO	-
APPLICATION Uygulama	MODUL T , SAF SBS2220 , KRONE DBT22LT
DESCRIPTION Açıklama	CALIPER PLASTIC TAP KIT KALİPER PLASTİK TAPA TAKIMI
1	PLASTIC TAP (10x)



5M Nr. 5M No.	9208.004.5
ORG. REF. NO	-
APPLICATION Uygulama	MODUL T , SAF SBS2220 , KRONE DBT22LT
DESCRIPTION Açıklama	CALIPER ADJUSTING GEAR KIT KALİPER AYAR DİŞLİ TAKIMI
1	ADJUSTING GEAR - PLASTIC (5x)



5M Nr. 5M No.	9208.005.5
ORG. REF. NO	-
APPLICATION Uygulama	MODUL T , SAF SBS2220 , KRONE DBT22LT
DESCRIPTION Açıklama	CALIPER LOCKING PLASTIC KIT KALİPER PLASTİK KİLİTLEME TAKIMI
1	MECHANISM LOCKING - PLASTIC (5x)



5M Nr. 5M No.	9208.008.5
ORG. REF. NO	-
APPLICATION Uygulama	MODUL T , SAF SBS2220 , KRONE DBT22LT
DESCRIPTION Açıklama	ALİPER ADJUSTING GEAR KIT KALİPER AYAR DİŞLİ TAKIMI
1	ADJUSTER GEAR - PLASTIC (5x)
2	O-RING (5x)

# FOR SAF TYPE



<b>5M Nr.</b> 5M No.	9208.017.5
<b>ORG. REF. NO</b>	-
<b>APPLICATION</b> Uygulama	MODUL T , SAF SBS2220
<b>DESCRIPTION</b> Açıklama	CALIPER PLASTIC ADJUSTING GEAR KIT KALİPER PLASTİK AYAR DİŞLİ TAKIMI
<b>1</b>	ADJUSTING GEAR - PLASTIC (5x)



<b>5M Nr.</b> 5M No.	9208.018.5
<b>ORG. REF. NO</b>	-
<b>APPLICATION</b> Uygulama	MODUL T , SAF SBS2220
<b>DESCRIPTION</b> Açıklama	CALIPER TAP KIT KALİPER TAPA TAKIMI
<b>1</b>	TAP (5x)



<b>5M Nr.</b> 5M No.	9208.011.5
<b>ORG. REF. NO</b>	-
<b>APPLICATION</b> Uygulama	MODUL T , SAF SBS2220 , KRONE DBT22LT
<b>DESCRIPTION</b> Açıklama	CALIPER BOOT KALİPER KÖRÜĞÜ
<b>1</b>	BOOT



<b>5M Nr.</b> 5M No.	9208.012.5
<b>ORG. REF. NO</b>	-
<b>APPLICATION</b> Uygulama	MODUL T , SAF SBS2220 , KRONE DBT22LT
<b>DESCRIPTION</b> Açıklama	CALIPER PLASTIC BUSH KALİPER PLASTİK BURCU
<b>1</b>	PLASTIC BUSH

# FOR SAF TYPE



<b>5M Nr.</b> 5M No.	9208.013.5	
<b>ORG. REF. NO</b>	-	
<b>APPLICATION</b> Uygulama	MODUL T , SAF SBS2220 , KRONE DBT22LT	
<b>DESCRIPTION</b> Açıklama		
<b>1</b>	METAP TAP (Ø42x25 mm)	



<b>5M Nr.</b> 5M No.	9208.014.5	
<b>ORG. REF. NO</b>	-	
<b>APPLICATION</b> Uygulama	MODUL T , SAF SBS2220 , KRONE DBT22LT	
<b>DESCRIPTION</b> Açıklama		
<b>1</b>	METAP TAP (Ø45x22.5 mm)	

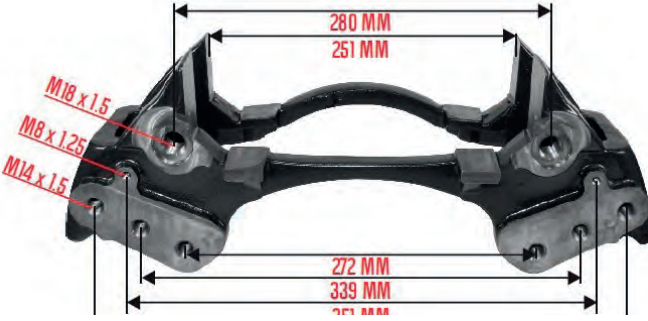


**FOR CALIPER CARRIER TYPES**

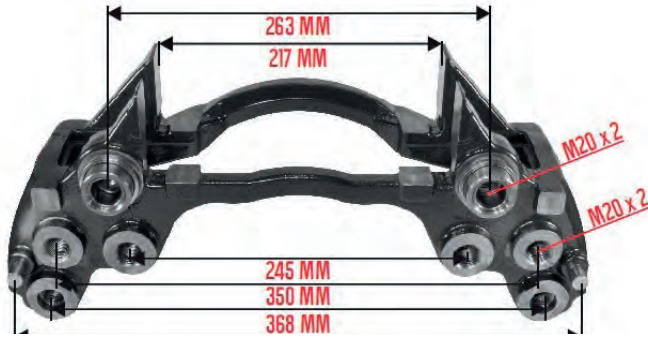
# FOR CALIPER CARRIER TYPES



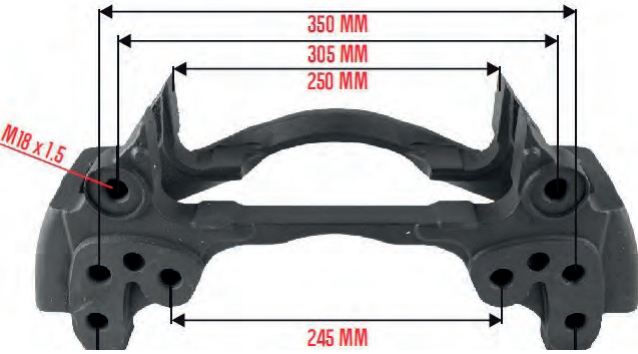
<b>5M Nr.</b> 5M No.	9209.001.5
<b>ORG. REF. NO</b>	-
<b>APPLICATION</b> Uygulama	MERITOR ELSA 195 , ELSA 225
<b>DESCRIPTION</b> Açıklama	CALIPER CARRIER KALİPER BALATA TAŞIYICISI
1	CARRIER



<b>5M Nr.</b> 5M No.	9209.002.5
<b>ORG. REF. NO</b>	-
<b>APPLICATION</b> Uygulama	MERITOR 22.5 - MERCEDES 403
<b>DESCRIPTION</b> Açıklama	CALIPER CARRIER KALİPER BALATA TAŞIYICISI
1	CARRIER



<b>5M Nr.</b> 5M No.	9209.003.5
<b>ORG. REF. NO</b>	-
<b>APPLICATION</b> Uygulama	MERITOR 22.5 DUCO - VOLVO
<b>DESCRIPTION</b> Açıklama	CALIPER CARRIER KALİPER BALATA TAŞIYICISI
1	CARRIER

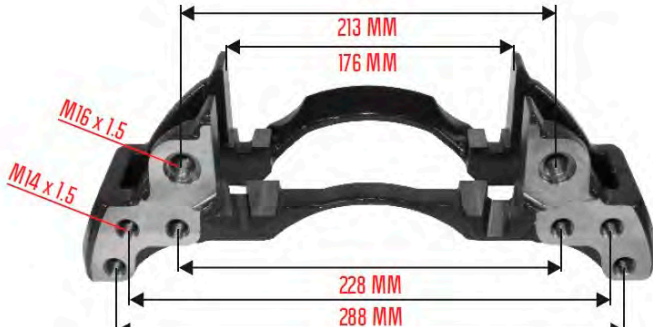


<b>5M Nr.</b> 5M No.	9209.004.5
<b>ORG. REF. NO</b>	-
<b>APPLICATION</b> Uygulama	MERITOR 22.5 - 68324199 - RENAULT 420
<b>DESCRIPTION</b> Açıklama	CALIPER CARRIER KALİPER BALATA TAŞIYICISI
1	CARRIER

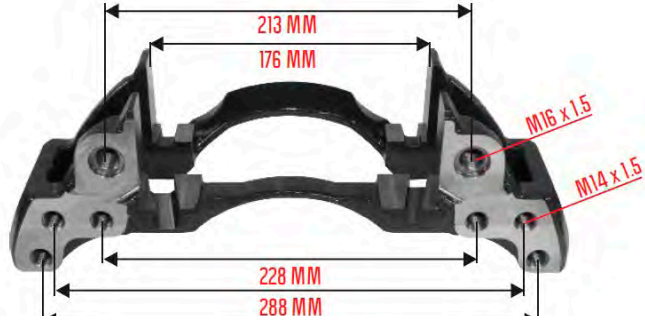
# FOR CALIPER CARRIER TYPES



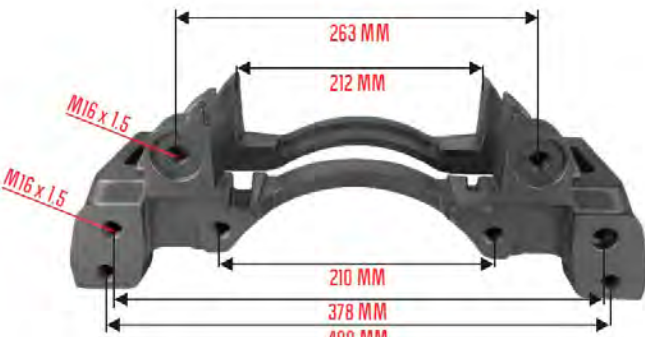
<b>5M Nr.</b> 5M No.	9209.005.5		
<b>ORG. REF. NO</b>	-		
<b>APPLICATION</b> Uygulama	SAF 22.5		
<b>DESCRIPTION</b> Açıklama	CALIPER CARRIER KALİPER BALATA TAŞIYICISI		
1	CARRIER		



<b>5M Nr.</b> 5M No.	9209.006.5		
<b>ORG. REF. NO</b>	-		
<b>APPLICATION</b> Uygulama	WABCO 17.5 - MAN - OTOKAR - ISUZU		
<b>DESCRIPTION</b> Açıklama	CALIPER CARRIER - RIGHT KALİPER BALATA TAŞIYICISI - SAĞ		
1	CARRIER		



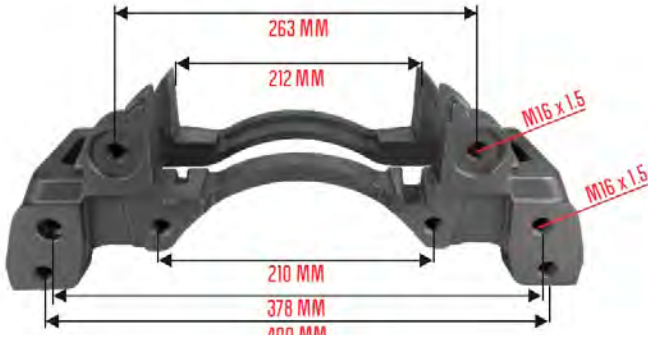
<b>5M Nr.</b> 5M No.	9209.007.5		
<b>ORG. REF. NO</b>	-		
<b>APPLICATION</b> Uygulama	WABCO 17.5 - MAN - OTOKAR - ISUZU		
<b>DESCRIPTION</b> Açıklama	CALIPER CARRIER - LEFT KALİPER BALATA TAŞIYICISI - SOL		
1	CARRIER		



<b>5M Nr.</b> 5M No.	9209.008.5		
<b>ORG. REF. NO</b>	-		
<b>APPLICATION</b> Uygulama	WABCO 22.5		
<b>DESCRIPTION</b> Açıklama	CALIPER CARRIER - RIGHT KALİPER BALATA TAŞIYICISI - SAĞ		
1	CARRIER		



# FOR CALIPER CARRIER TYPES



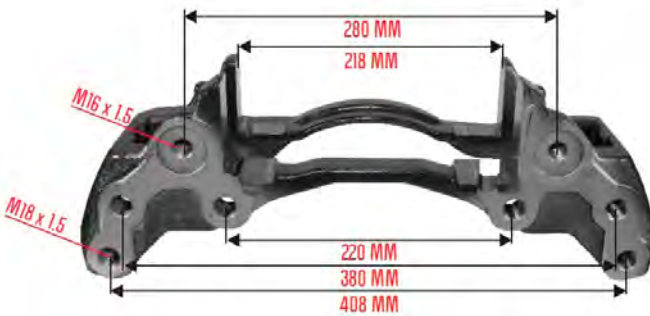
<b>5M Nr.</b>	9209.009.5
<b>5M No.</b>	
<b>ORG. REF. NO</b>	-
<b>APPLICATION</b> Uygulama	WABCO 22.5
<b>DESCRIPTION</b> Açıklama	CALIPER CARRIER - LEFT KALİPER BALATA TAŞIYICISI - SOL
1	CARRIER



<b>5M Nr.</b>	9209.010.5
<b>5M No.</b>	
<b>ORG. REF. NO</b>	-
<b>APPLICATION</b> Uygulama	WABCO 19.5 - SAF DİNGİL - JUMBO
<b>DESCRIPTION</b> Açıklama	CALIPER CARRIER - RIGHT KALİPER BALATA TAŞIYICISI - SAĞ
1	CARRIER



<b>5M Nr.</b>	9209.011.5
<b>5M No.</b>	
<b>ORG. REF. NO</b>	-
<b>APPLICATION</b> Uygulama	WABCO 19.5 - SAF DİNGİL - JUMBO
<b>DESCRIPTION</b> Açıklama	CALIPER CARRIER - LEFT KALİPER BALATA TAŞIYICISI - SOL
1	CARRIER



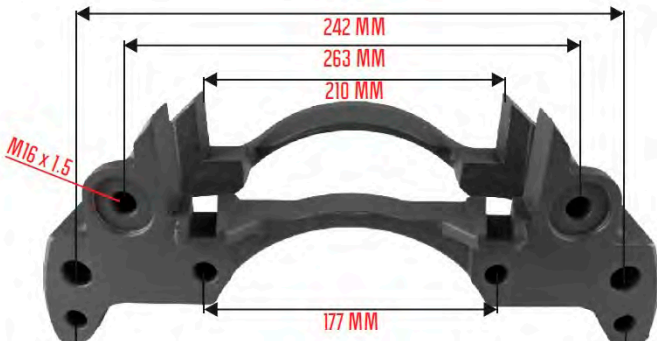
<b>5M Nr.</b>	9209.012.5
<b>5M No.</b>	
<b>ORG. REF. NO</b>	-
<b>APPLICATION</b> Uygulama	WABCO 22.5 - MAN TGX / TGS
<b>DESCRIPTION</b> Açıklama	CALIPER CARRIER - RIGHT KALİPER BALATA TAŞIYICISI - SAĞ
1	CARRIER



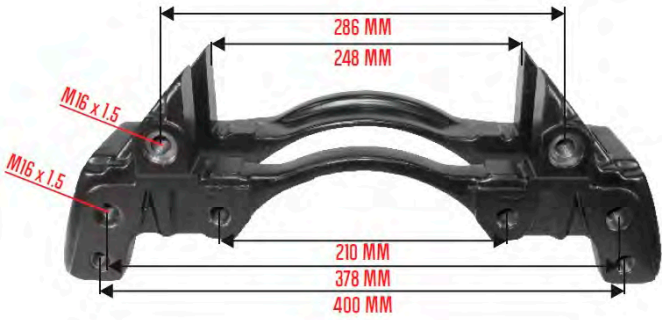
# FOR CALIPER CARRIER TYPES



<b>5M Nr.</b> 5M No.	9209.013.5
<b>ORG. REF. NO</b>	-
<b>APPLICATION</b> Uygulama	WABCO 22.5 - MAN TGX / TGS
<b>DESCRIPTION</b> Açıklama	CALIPER CARRIER - LEFT KALİPER BALATA TAŞIYICISI - SOL
1	CARRIER



<b>5M Nr.</b> 5M No.	9209.014.5
<b>ORG. REF. NO</b>	-
<b>APPLICATION</b> Uygulama	WABCO 19.5 SAF DİNGİL 14174186
<b>DESCRIPTION</b> Açıklama	CALIPER CARRIER KALİPER BALATA TAŞIYICISI
1	CARRIER



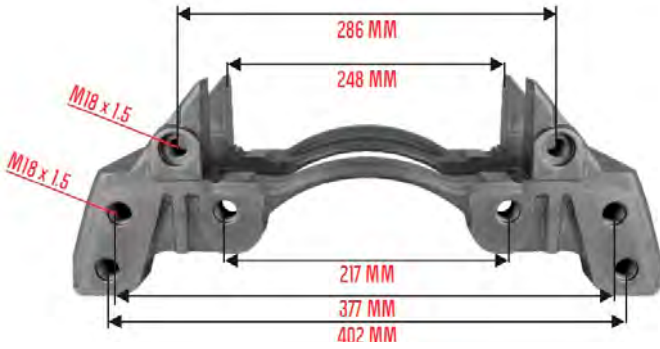
<b>5M Nr.</b> 5M No.	9209.015.5
<b>ORG. REF. NO</b>	-
<b>APPLICATION</b> Uygulama	KNORR 22.5 - 200745 - MERCEDES - ACTROS / AXOR EM.
<b>DESCRIPTION</b> Açıklama	CALIPER CARRIER KALİPER BALATA TAŞIYICISI
1	CARRIER



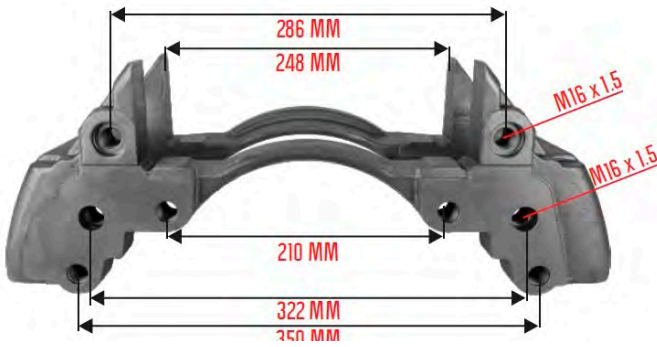
<b>5M Nr.</b> 5M No.	9209.016.5
<b>ORG. REF. NO</b>	-
<b>APPLICATION</b> Uygulama	KNORR 22.5 - K001530 - 2006590 MERCEDES - BMC ZF AXLE
<b>DESCRIPTION</b> Açıklama	CALIPER CARRIER KALİPER BALATA TAŞIYICISI
1	CARRIER



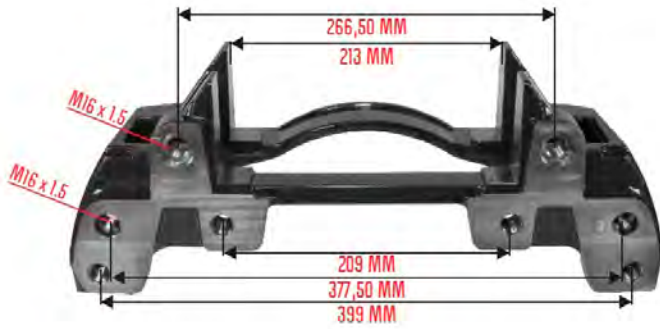
# FOR CALIPER CARRIER TYPES



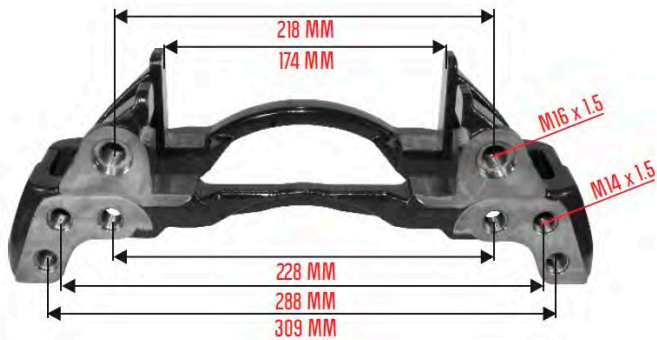
<b>5M Nr.</b> 5M No.	9209.017.5
<b>ORG. REF. NO</b>	-
<b>APPLICATION</b> Uygulama	KNORR 22.5
<b>DESCRIPTION</b> Açıklama	CALIPER CARRIER KALİPER BALATA TAŞIYICISI
1	CARRIER



<b>5M Nr.</b> 5M No.	9209.018.5
<b>ORG. REF. NO</b>	-
<b>APPLICATION</b> Uygulama	KNORR 22.5 - 2006582 ACTROS - MB0004230606
<b>DESCRIPTION</b> Açıklama	CALIPER CARRIER KALİPER BALATA TAŞIYICISI
1	CARRIER

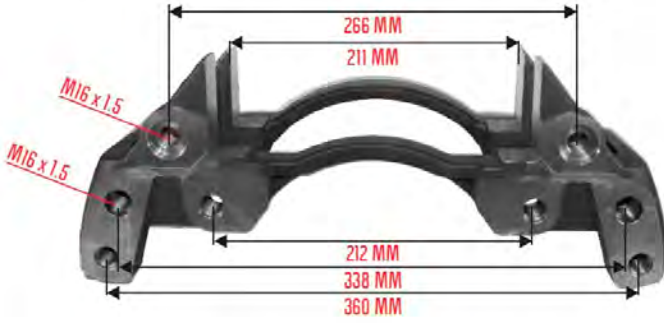


<b>5M Nr.</b> 5M No.	9209.019.5
<b>ORG. REF. NO</b>	-
<b>APPLICATION</b> Uygulama	KNORR 22.5 - K004099 - Z012024 SCANIA - 0212600
<b>DESCRIPTION</b> Açıklama	CALIPER CARRIER KALİPER BALATA TAŞIYICISI
1	CARRIER

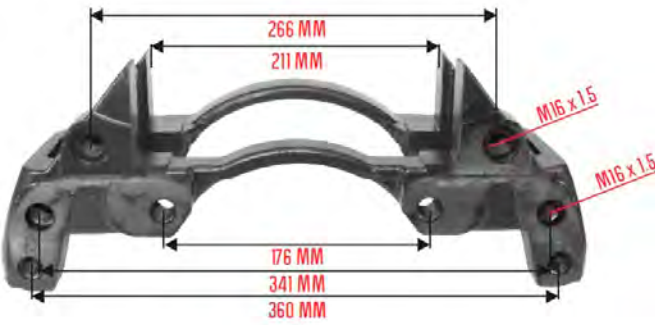


<b>5M Nr.</b> 5M No.	9209.020.5
<b>ORG. REF. NO</b>	-
<b>APPLICATION</b> Uygulama	KNORR 17.5 - K001927 - MAN 12 - 180
<b>DESCRIPTION</b> Açıklama	CALIPER CARRIER KALİPER BALATA TAŞIYICISI
1	CARRIER

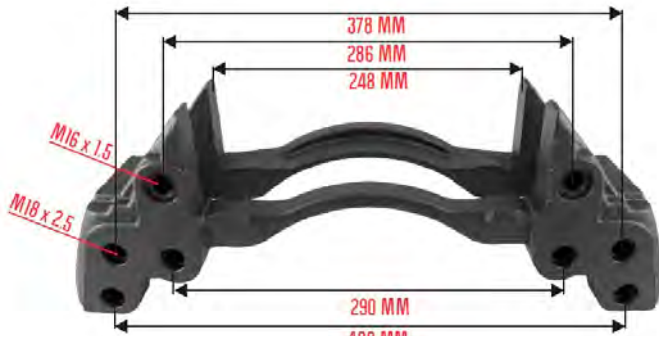
# FOR CALIPER CARRIER TYPES



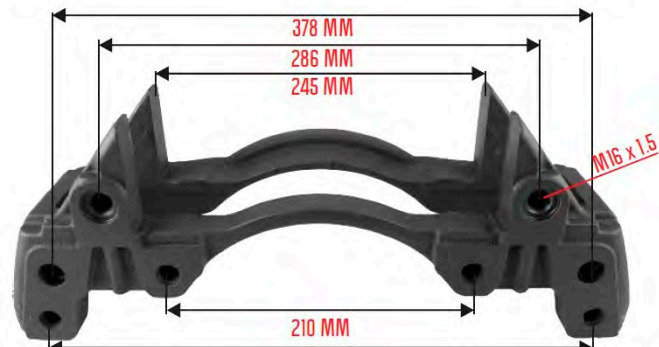
<b>5M Nr.</b> 5M No.	9209.021.5		
<b>ORG. REF. NO</b>	-		
<b>APPLICATION</b> Uygulama	KNORR 19.5 - SN6 - BMC		
<b>DESCRIPTION</b> Açıklama	CALIPER CARRIER - RIGHT KALİPER BALATA TAŞIYICISI - SAĞ		
1	CARRIER		



<b>5M Nr.</b> 5M No.	9209.022.5		
<b>ORG. REF. NO</b>	-		
<b>APPLICATION</b> Uygulama	KNORR 19.5 - K001926 - MERCEDES ATEGO		
<b>DESCRIPTION</b> Açıklama	CALIPER CARRIER - LEFT KALİPER BALATA TAŞIYICISI - SOL		
1	CARRIER		



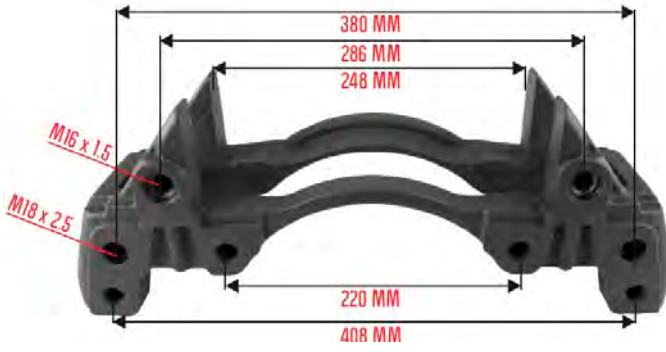
<b>5M Nr.</b> 5M No.	9209.023.5		
<b>ORG. REF. NO</b>	-		
<b>APPLICATION</b> Uygulama	KNORR 22.5 - 6038 - Z006588 - SCANIA GRH - EM		
<b>DESCRIPTION</b> Açıklama	CALIPER CARRIER KALİPER BALATA TAŞIYICISI		
1	CARRIER		



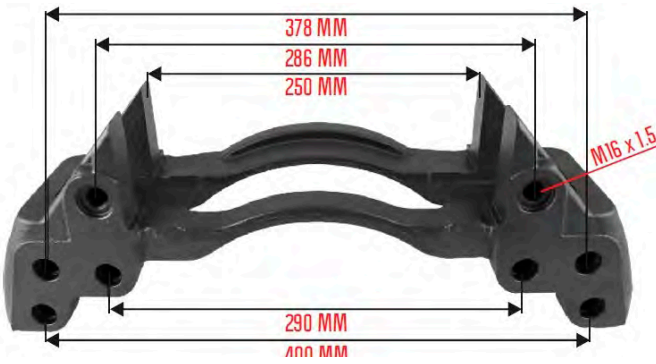
<b>5M Nr.</b> 5M No.	9209.024.5		
<b>ORG. REF. NO</b>	-		
<b>APPLICATION</b> Uygulama	KNORR 22.5 - 4140 - ÖN YM.		
<b>DESCRIPTION</b> Açıklama	CALIPER CARRIER KALİPER BALATA TAŞIYICISI		
1	CARRIER		



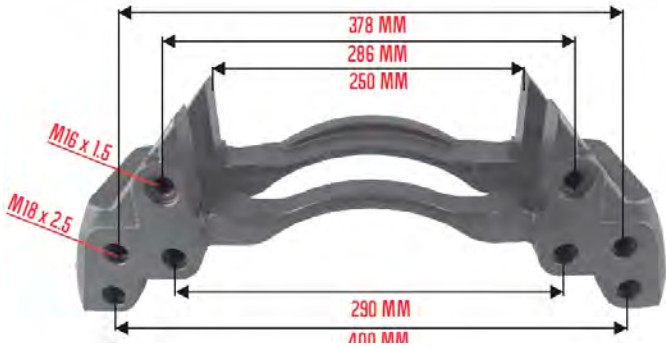
# FOR CALIPER CARRIER TYPES



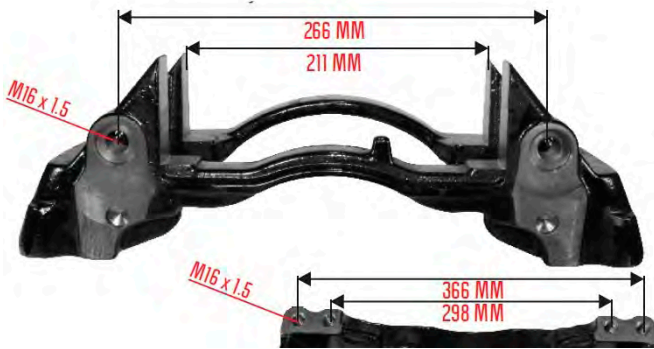
<b>5M Nr.</b> 5M No.	9209.025.5
<b>ORG. REF. NO</b>	-
<b>APPLICATION</b> Uygulama	KNORR 22.5 - 2007 MODEL TGA 18.430
<b>DESCRIPTION</b> Açıklama	CALIPER CARRIER KALİPER BALATA TAŞIYICISI
1	CARRIER



<b>5M Nr.</b> 5M No.	9209.026.5
<b>ORG. REF. NO</b>	-
<b>APPLICATION</b> Uygulama	KNORR 22.5 - MERCEDES CONECTO
<b>DESCRIPTION</b> Açıklama	CALIPER CARRIER KALİPER BALATA TAŞIYICISI
1	CARRIER



<b>5M Nr.</b> 5M No.	9209.027.5
<b>ORG. REF. NO</b>	-
<b>APPLICATION</b> Uygulama	KNORR 22.5 - CN2E159 - 73355 - M18x2 DAF - CF - XF
<b>DESCRIPTION</b> Açıklama	CALIPER CARRIER KALİPER BALATA TAŞIYICISI
1	CARRIER



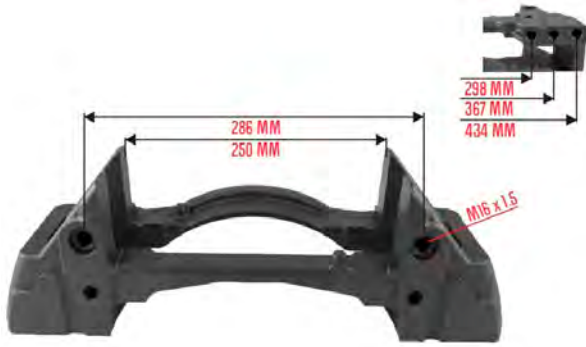
<b>5M Nr.</b> 5M No.	9209.028.5
<b>ORG. REF. NO</b>	-
<b>APPLICATION</b> Uygulama	KNORR 22.5 - K012619 - S006715 - BPW 01.303.88.56.0
<b>DESCRIPTION</b> Açıklama	CALIPER CARRIER KALİPER BALATA TAŞIYICISI
1	CARRIER



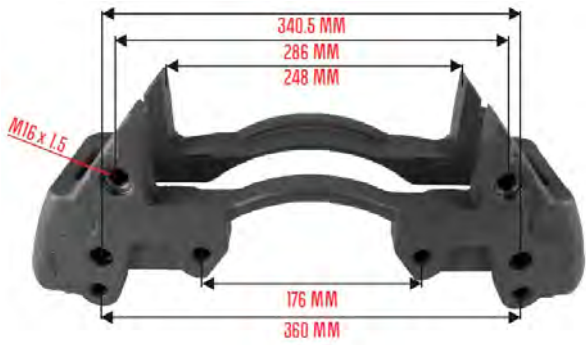
# FOR CALIPER CARRIER TYPES



<b>5M Nr.</b> 5M No.	9209.029.5
<b>ORG. REF. NO</b>	-
<b>APPLICATION</b> Uygulama	KNORR 19.5 - 01.303.88.56.0 / Z006715 BPW ORTA MODEL
<b>DESCRIPTION</b> Açıklama	CALIPER CARRIER KALİPER BALATA TAŞIYICISI
1	CARRIER



<b>5M Nr.</b> 5M No.	9209.030.5
<b>ORG. REF. NO</b>	-
<b>APPLICATION</b> Uygulama	KNORR 22.5 - 014.303.88.57.0 - BPW
<b>DESCRIPTION</b> Açıklama	CALIPER CARRIER KALİPER BALATA TAŞIYICISI
1	CARRIER



<b>5M Nr.</b> 5M No.	9209.031.5
<b>ORG. REF. NO</b>	-
<b>APPLICATION</b> Uygulama	KNORR 22.5 - MERCEDES DİNGİL / DORSE
<b>DESCRIPTION</b> Açıklama	CALIPER CARRIER KALİPER BALATA TAŞIYICISI
1	CARRIER



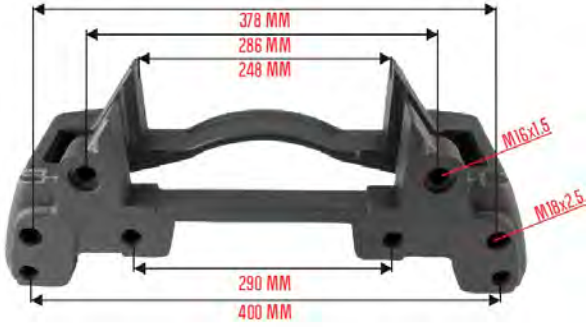
<b>5M Nr.</b> 5M No.	9209.032.5
<b>ORG. REF. NO</b>	-
<b>APPLICATION</b> Uygulama	KNORR 22.5 - Z025197 3029 ARKA - 4140 ARKA - 3028 ARKA - MERCEDES AXOR
<b>DESCRIPTION</b> Açıklama	CALIPER CARRIER KALİPER BALATA TAŞIYICISI
1	CARRIER



# FOR CALIPER CARRIER TYPES



<b>5M Nr.</b>	9209.033.5
<b>5M No.</b>	-
<b>ORG. REF. NO</b>	-
<b>APPLICATION</b> Uygulama	KNORR 22.5 - Z046338 MERCEDES ACTROS 4140 ÖN
<b>DESCRIPTION</b> Açıklama	CALIPER CARRIER KALİPER BALATA TAŞIYICISI
1	CARRIER



<b>5M Nr.</b>	9209.034.5
<b>5M No.</b>	-
<b>ORG. REF. NO</b>	-
<b>APPLICATION</b> Uygulama	KNORR 22.5 - BPW
<b>DESCRIPTION</b> Açıklama	CALIPER CARRIER KALİPER BALATA TAŞIYICISI
1	CARRIER













5M OTOMOTİV SAN. TİC. A.Ş.

[www.5mautomotive.com.tr](http://www.5mautomotive.com.tr)



5M OTOMOTİV SAN. TİC. A.Ş.

[www.5mautomotive.com.tr](http://www.5mautomotive.com.tr)



5,7403 5,7403  
3,7253 3,7253  
3,7253 3,7253  
2,7191 2,7191  
2,8518 2,8518  
2,3392 2,3392  
2,8396 2,8396  
12,151 12,151  
2,0278 2,0278  
3,7671 3,7671  
5,3035 5,3035  
2,3726 2,3726  
8,885 8,885  
13,604 13,604  
14,053 14,053  
6,7756 6,7756  
3,7392 3,7392  
7,0571 7,0571  
10,409 10,409  
0,4691 0,4691  
2,8153 2,8153  
11,347 11,347  
8,1575 8,1575

675476546759876765476  
7645667754765  
7645667754765  
76456677  
7675654  
8756677665

011010

textures will not tile smoothly.  
background  
bitmaps.

g issues should be considered:

irs or square/butt caps.  
Object Setting for the vector file and checking the Rasterization

transparency changes that were not intended.

ain text to export as vectors to SWF.

colors in the RGB color space.

colors in the RGB color space.

to loop. Since GIF is a simple frame based format,

ilding the HTML table.  
table slicing.

010110 101 01011101 010 001 0101010



5M OTOMOTİV SAN. TİC. A.Ş.

Barakfakih Org. San. Bölğ. Ankara Cad. No:30 16450 Kestel / BURSA / TÜRKİYE

Tel: +90 (224) 411 06 80 Pbx. Fax: +90 (224) 411 06 84

[www.5mautomotive.com.tr](http://www.5mautomotive.com.tr) [info@5mautomotive.com.tr](mailto:info@5mautomotive.com.tr)

