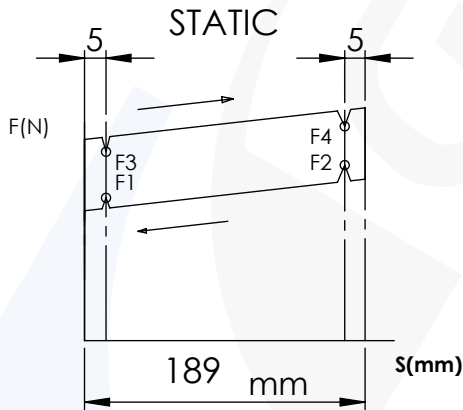
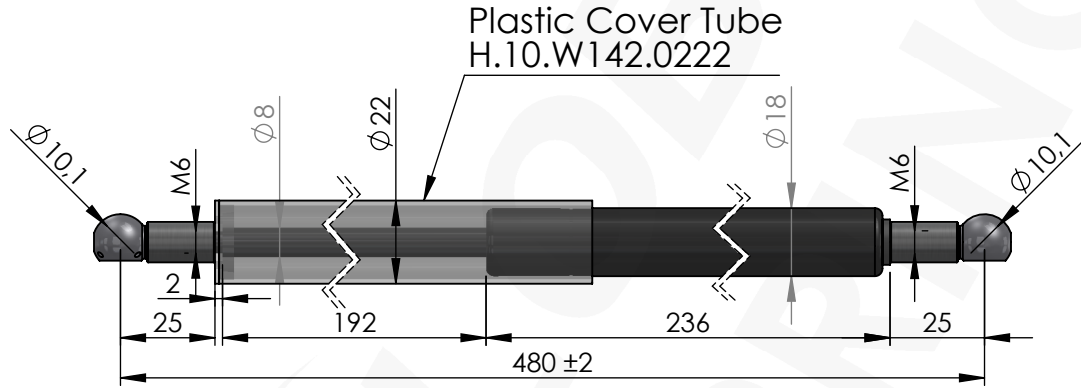


Global Code	Customer Code	Technical Code	Force [N]	Tol.
5442	NEOPLAN 500N-48 cm	8 18 192L/500N-480	500	+/-30



Tanım	Birim	Parametre
Çalışan Stroke	mm	189
Açık Boy	mm	480
Kapalı Boy	mm	291
Mil		QPQ
Boru		Siyah Boya

ATTENTION...!IMPORTANT NOTES.

Gas springs must not be compressed below working stroke.
Do not use gas spring as an end stop

- Gas springs should be stored rod downwards
- Working temperature range min: -30°C /max:+80 °C
- Ensure that undue force is not applied to over compress or over extend the gas springs
- Try to use ball joints to help avoiding side load forces
- Where ball joints are used,ensure that the stud is safely fixed to the ball socket.
- Ensure that the end connectors are in line to avoid side load forces
- The gas springs technical desing should match with the choosen end fitting
- The technical specification and design of gas spring should be matched to therespective application under buyers responsibility.
- F1 Force values specified in the test shouldn't decrease more then 12% during the on-off cycle within 1 year

MARKING

Standard marking unless otherwise specified

GLOBAL LOGO	НЕ ОТКРЫВАТЬ ВЫСОКОЕ ДАВЛЕНИЕ!				
	DO NOT OPEN HIGH PRESSURE!				
	NICHT ÖFFNEN HOHER DRUCK!				
Lot	Prd.Date	Ref.	Force		

AUTHORIZED SIGNATURE &STAMP OF COMPANY

PLEASE CONFIRM BY RETURN FAX