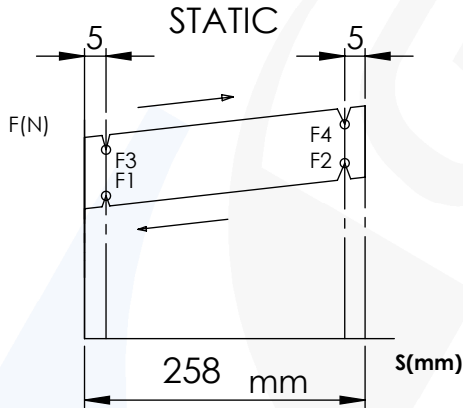
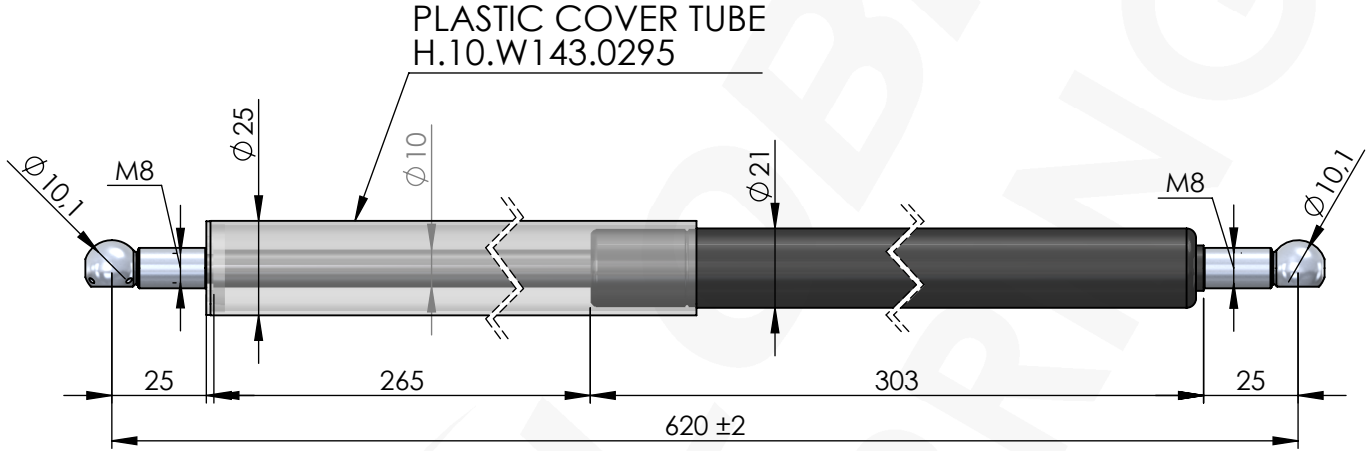


Global Kod	Müşteri Kodu	Teknik Kodu	Kuvvet [N]	Tol.
5441	MB-NEOPLAN 650N-62 cm	10 21 265L/650N-620	650	+/-40
5441.00	MB-NEOPLAN 900N-62 cm	10 21 265L/900N-620	900	+/-40



Description	Unit	Parameter
Working Stroke	mm	258
Extended Length	mm	620
Compressed Length	mm	362
Rod		QPQ
Tube		Black Painted

ATTENTION...!IMPORTANT NOTES.

Gas springs must not be compressed below working stroke.
Do not use gas spring as an end stop

- Gas springs should be stored rod downwards
- Working temperature range min: -30°C /max:+80 °C
- Ensure that undue force is not applied to over compress or over extend the gas springs
- Try to use ball joints to help avoiding side load forces
- Where ball joints are used,ensure that the stud is safely fixed to the ball socket.
- Ensure that the end connectors are in line to avoid side load forces
- The gas springs technical desing should match with the choosen end fitting
- The technical specification and design of gas spring should be matched to therespective application under buyers responsibility.
- F1 Force values specified in the test shouldn't decrease more then 12% during the on-off cycle within 1 year

MARKING

Standard marking unless otherwise specified

GLOBAL LOGO	НЕ ОТКРЫВАТЬ ВЫСОКОЕ ДАВЛЕНИЕ!				
	DO NOT OPEN HIGH PRESSURE!				
	NICHT ÖFFNEN HOHER DRUCK!				
	Lot	Prd.Date	Ref.	Force	

AUTHORIZED SIGNATURE &STAMP OF COMPANY

PLEASE CONFIRM BY RETURN FAX