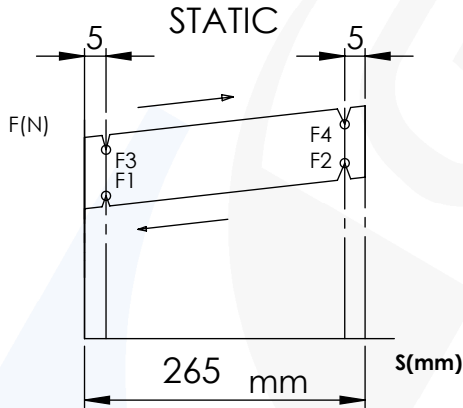
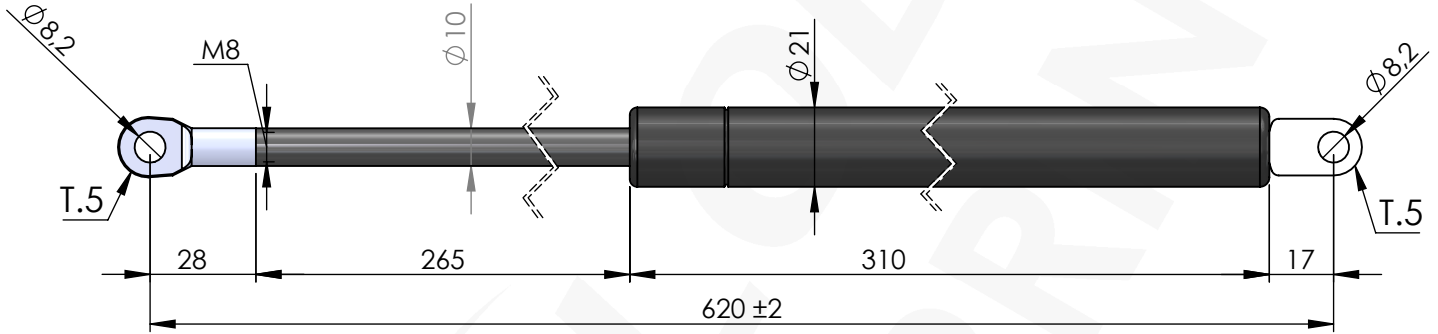


| Global Kod | Müşteri Kodu | Teknik Kodu | Kuvvet [N] | Tol. |
|------------|------------------|---------------------|------------|-------|
| 5435 | SETRA 500N-62 cm | 10 21 265L/500N-620 | 500 | +/-40 |
| 5435.00 | SETRA 800N-62 cm | 10 21 265L/800N-620 | 800 | +/-40 |



| Description | Unit | Parameter |
|-------------------|------|---------------|
| Working Stroke | mm | 265 |
| Extended Length | mm | 620 |
| Compressed Length | mm | 355 |
| Rod | | QPQ |
| Tube | | Black Painted |

ATTENTION...!IMPORTANT NOTES.

Gas springs must not be compressed below working stroke.
Do not use gas spring as an end stop

- Gas springs should be stored rod downwards
- Working temperature range min: -30°C /max:+80 °C
- Ensure that undue force is not applied to over compress or over extend the gas springs
- Try to use ball joints to help avoiding side load forces
- Where ball joints are used,ensure that the stud is safely fixed to the ball socket.
- Ensure that the end connectors are in line to avoid side load forces
- The gas springs technical desing should match with the choosen end fitting
- The technical specification and design of gas spring should be matched to therespective application under buyers responsibility.
- F1 Force values specified in the test shouldn't decrease more then 12% during the on-off cycle within 1 year

MARKING

Standard marking unless otherwise specified

| | | | | | |
|-------------|---------------------------------------|----------|------|-------|--|
| GLOBAL LOGO | НЕ ОТКРЫВАТЬ ВЫСОКОЕ ДАВЛЕНИЕ! | | | | |
| | DO NOT OPEN HIGH PRESSURE! | | | | |
| | NICHT ÖFFNEN HOHER DRUCK! | | | | |
| | Lot | Prd.Date | Ref. | Force | |

AUTHORIZED SIGNATURE &STAMP OF COMPANY

PLEASE CONFIRM BY RETURN FAX